



Chipsmall Limited consists of a professional team with an average of over 10 year of expertise in the distribution of electronic components. Based in Hongkong, we have already established firm and mutual-benefit business relationships with customers from,Europe,America and south Asia,supplying obsolete and hard-to-find components to meet their specific needs.

With the principle of “Quality Parts,Customers Priority,Honest Operation,and Considerate Service”,our business mainly focus on the distribution of electronic components. Line cards we deal with include Microchip,ALPS,ROHM,Xilinx,Pulse,ON,Everlight and Freescale. Main products comprise IC,Modules,Potentiometer,IC Socket,Relay,Connector.Our parts cover such applications as commercial,industrial, and automotives areas.

We are looking forward to setting up business relationship with you and hope to provide you with the best service and solution. Let us make a better world for our industry!



Contact us

Tel: +86-755-8981 8866 Fax: +86-755-8427 6832

Email & Skype: info@chipsmall.com Web: www.chipsmall.com

Address: A1208, Overseas Decoration Building, #122 Zhenhua RD., Futian, Shenzhen, China



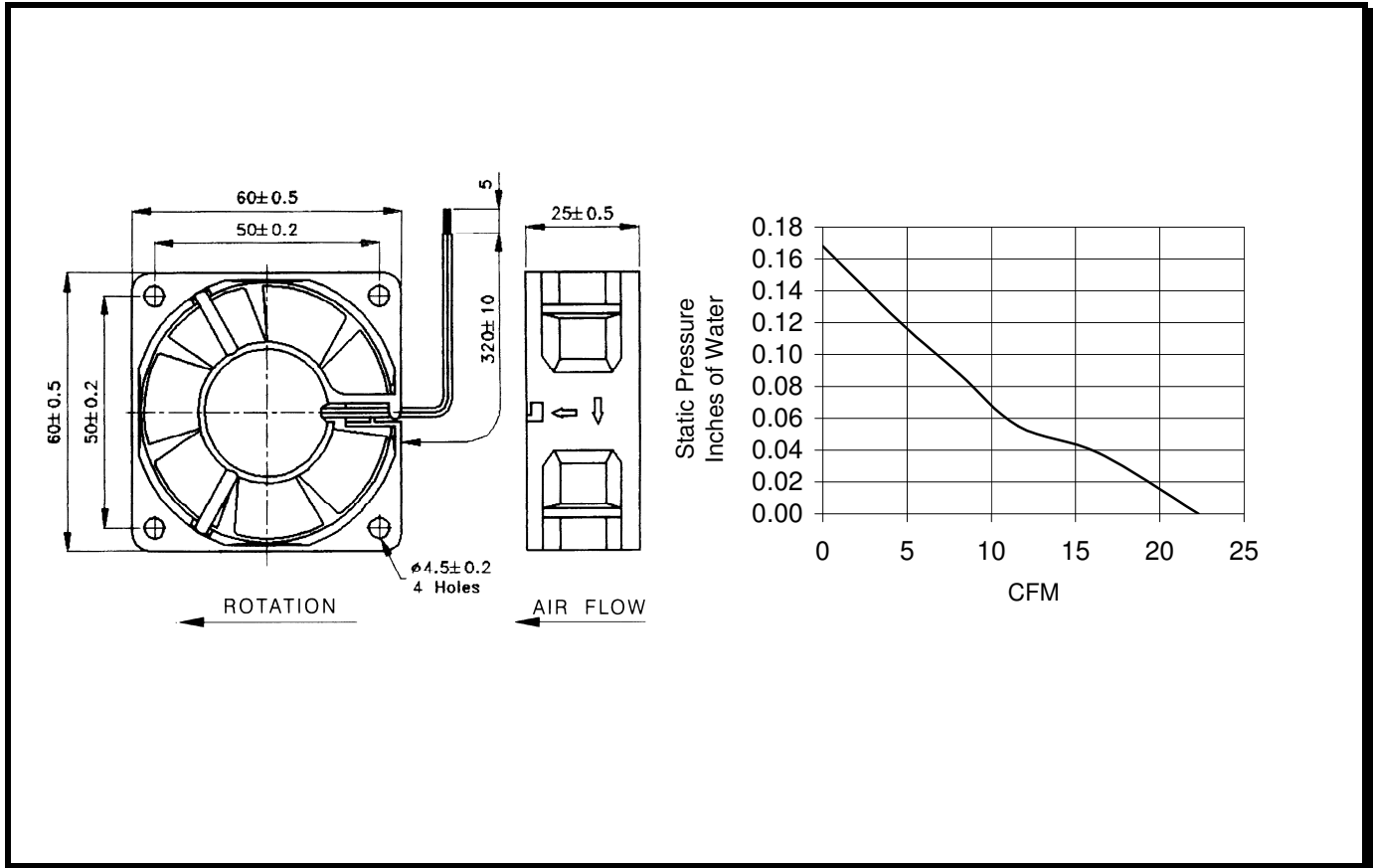
SPECIFICATIONS



Model Number: CR0612HB-A70GL
Part Number: 032704

August 5, 2005

Mechanical Drawing:



Motor:

Nominal Voltage = 12 vdc
Operating Voltage Range = 10.8 - 13.2 vdc
Nominal Running Current = 0.230 amps
Running Power = 2.76 watts
Average Speed = 4500 rpm
Bearings = Ball
Air Flow = 23.2 cfm
Acoustic = 32.3 dBA

Construction:

Venturi: Plastic, Black, UL 94V-0
Propeller: Plastic, Black, UL 94V-0

Agency Approval:

UL, cUR, TUV

Additional Features:

Brushless DC Motor
Locked Rotor Protection
Polarity Protected
Automatic Restart Capability
Operating Temperature: -10°C to 70°C
Storage Temperature: -40°C to 85°C

Termination:

320mm Lead wires, 24 AWG, UL 1061
Red - Fan Power
Black - Fan Return

Life Expectancy:

This fan is designed for continuous duty life of 50,000 hours at 25°C .