



Chipsmall Limited consists of a professional team with an average of over 10 year of expertise in the distribution of electronic components. Based in Hongkong, we have already established firm and mutual-benefit business relationships with customers from,Europe,America and south Asia,supplying obsolete and hard-to-find components to meet their specific needs.

With the principle of “Quality Parts,Customers Priority,Honest Operation,and Considerate Service”,our business mainly focus on the distribution of electronic components. Line cards we deal with include Microchip,ALPS,ROHM,Xilinx,Pulse,ON,Everlight and Freescale. Main products comprise IC,Modules,Potentiometer,IC Socket,Relay,Connector.Our parts cover such applications as commercial,industrial, and automotives areas.

We are looking forward to setting up business relationship with you and hope to provide you with the best service and solution. Let us make a better world for our industry!



Contact us

Tel: +86-755-8981 8866 Fax: +86-755-8427 6832

Email & Skype: info@chipsmall.com Web: www.chipsmall.com

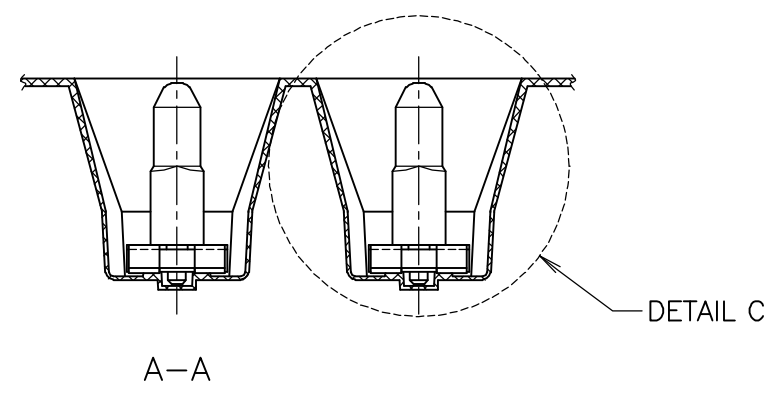
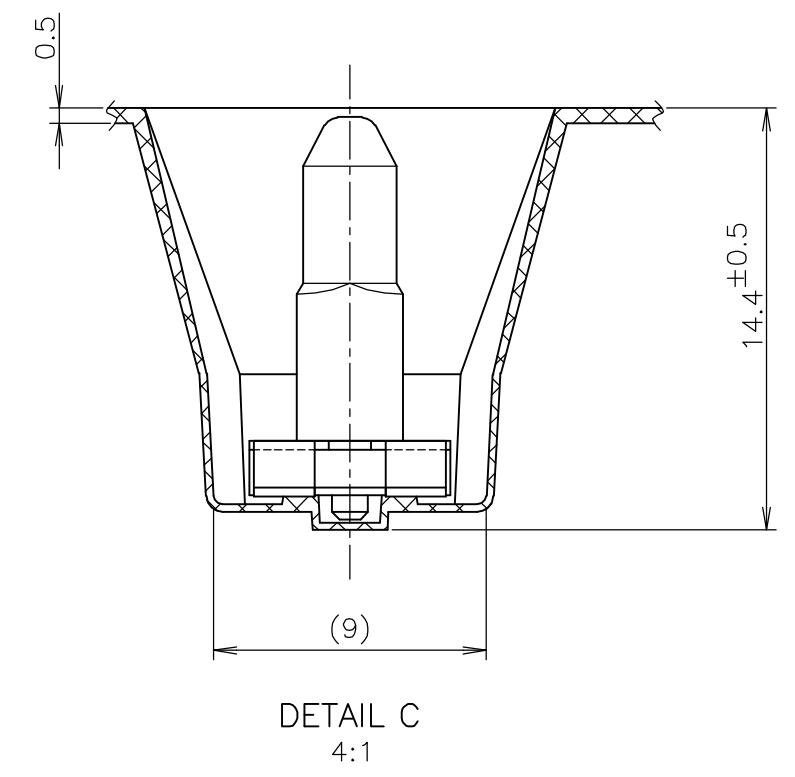
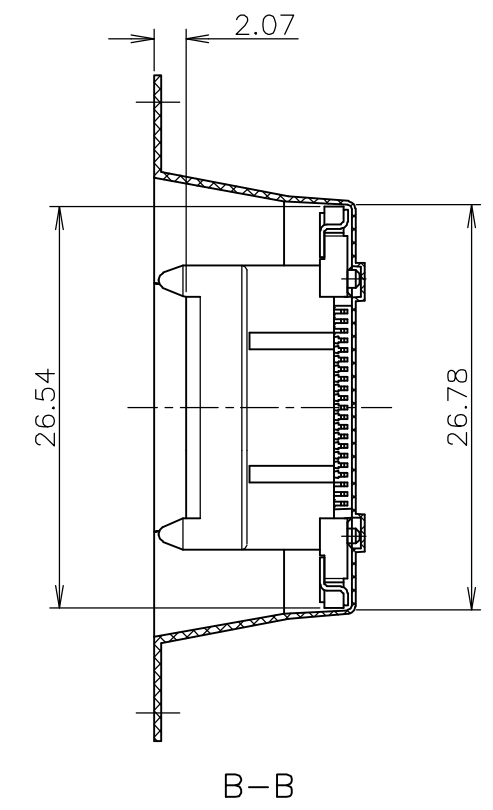
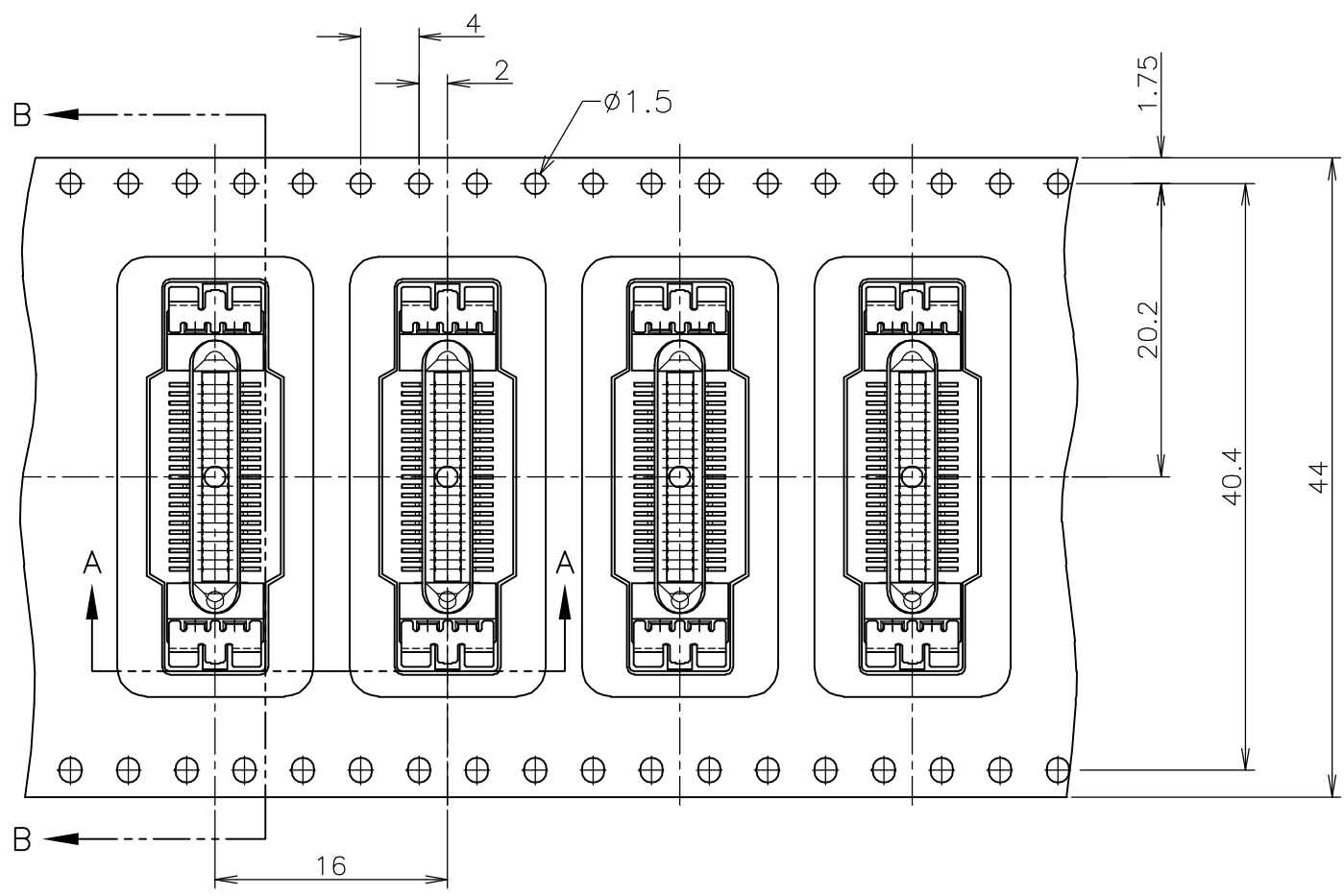
Address: A1208, Overseas Decoration Building, #122 Zhenhua RD., Futian, Shenzhen, China



THIS DRAWING IS UNPUBLISHED. RELEASED FOR PUBLICATION
 © COPYRIGHT BY TYCO ELECTRONICS CORPORATION. ALL RIGHTS RESERVED.

LOC	DIST	REVISIONS			DATE	DWN	APVD
		P	LTR	DESCRIPTION			
J		D	REVISED	ECR-06-005348	07MAR06	Y.W	Y.Y

リール引き出し方向
 DIRECTION OFF TOP OF REEL



250	623243-1	1903277-1	1903291-1
QTY	EMBOSS P/N	CONNECTOR P/N	P/N

THIS DRAWING IS A CONTROLLED DOCUMENT.		DWN Y.WATANABE 24NOV05	Tyco Electronics AMP K.K. Kawasaki, Japan	
DIMENSIONS: 単位: 耗 mm		CHK T.FUTATSUGI 24NOV05		
TOLERANCES UNLESS OTHERWISE SPECIFIED: 一般公差		APVD Y.YAMAMOTO 24NOV05	NAME 名称	
0 PLC ±		PRODUCT SPEC 製品規格	EMBOSS ASSY	
1 PLC ±		108-78235	0.635mm PITCH BAY CONNECTOR PLUG	
2 PLC ±		APPLICATION SPEC 取付適用規格	WITH BOSS	
3 PLC ±		WEIGHT	SIZE	CAGE CODE
4 PLC ±		CUSTOMER DRAWING	A3	00779
ANGLES ±			DRAWING NO 番号	C-1903291
FINISH 仕上		SCALE 尺度		SHEET
1.		2:1		1 OF 4
				REV D

THIS DRAWING IS UNPUBLISHED. RELEASED FOR PUBLICATION
 © COPYRIGHT - BY TYCO ELECTRONICS CORPORATION. ALL RIGHTS RESERVED.

LOC	DIST	REVISIONS					
		P	LTR	DESCRIPTION	DATE	DWN	APVD
J			-	SEE SHEET 1	-	-	-

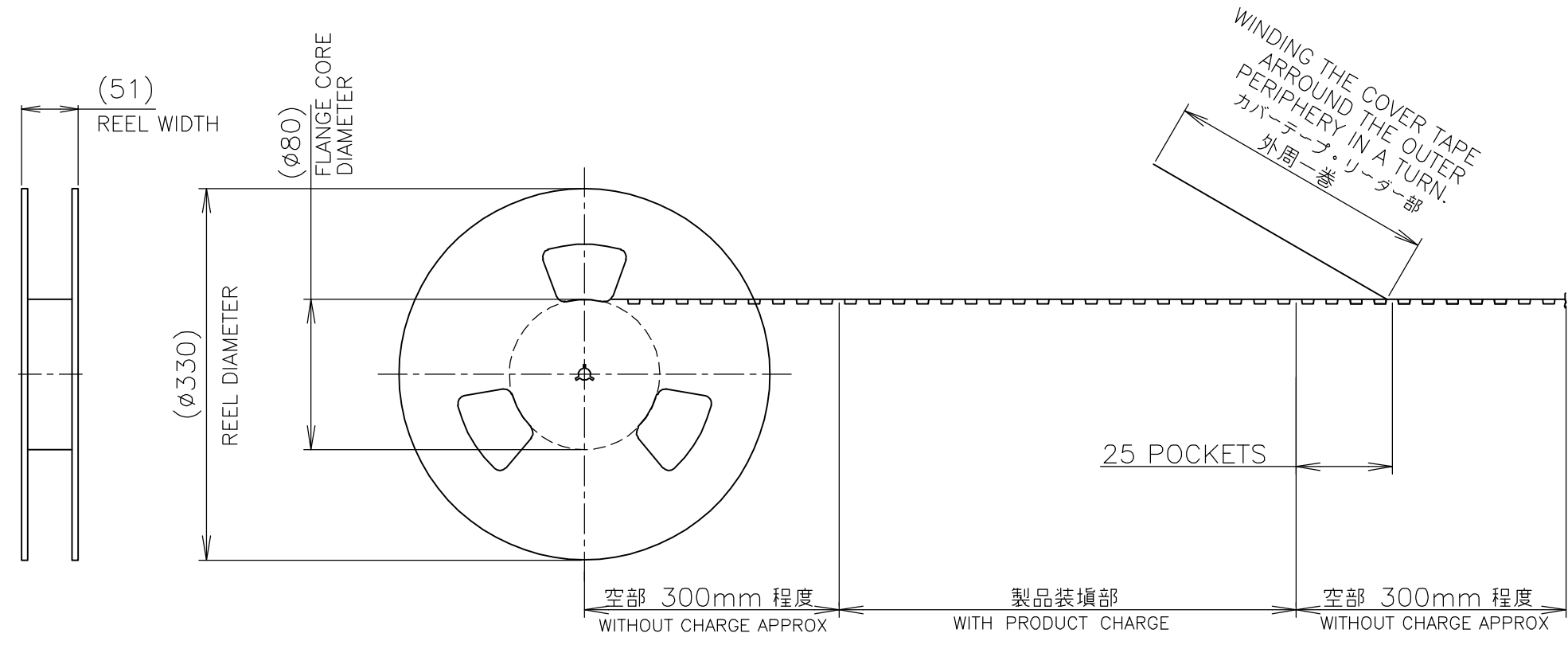
注記

1. 材料：
 エンボステープ：PS
 カバーテープ：PET

- 2. コネクタ寸法及び推奨基板取り付け寸法は、コネクタ単体の図面を参照下さい。
- 3. 一般公差：±0.3、±3°

NOTE

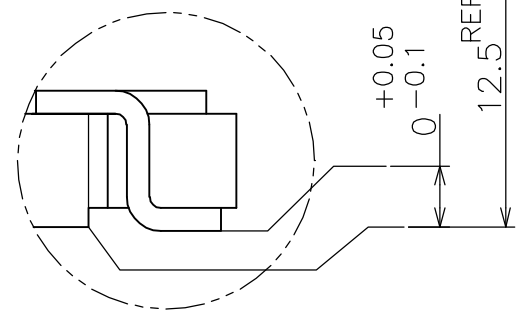
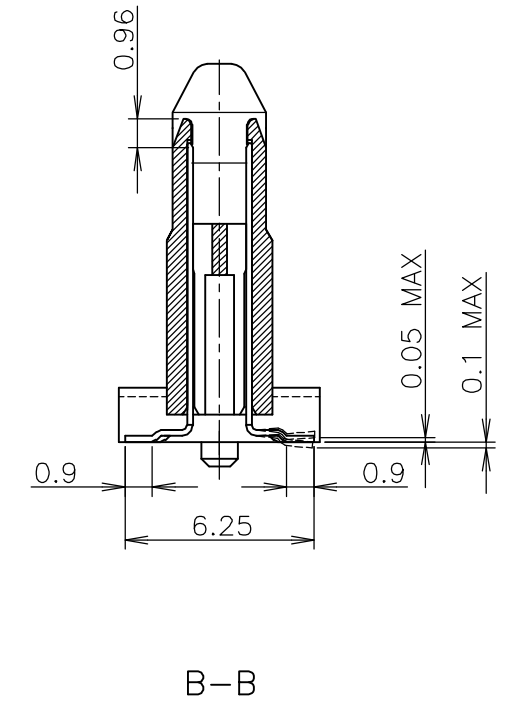
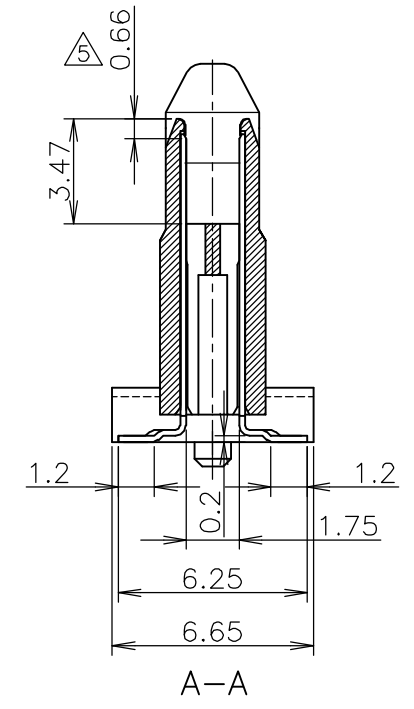
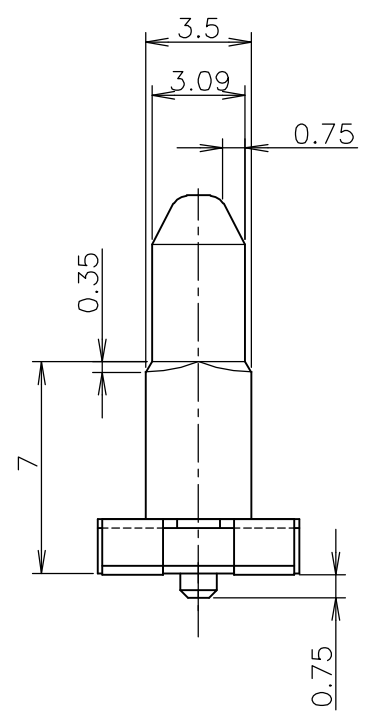
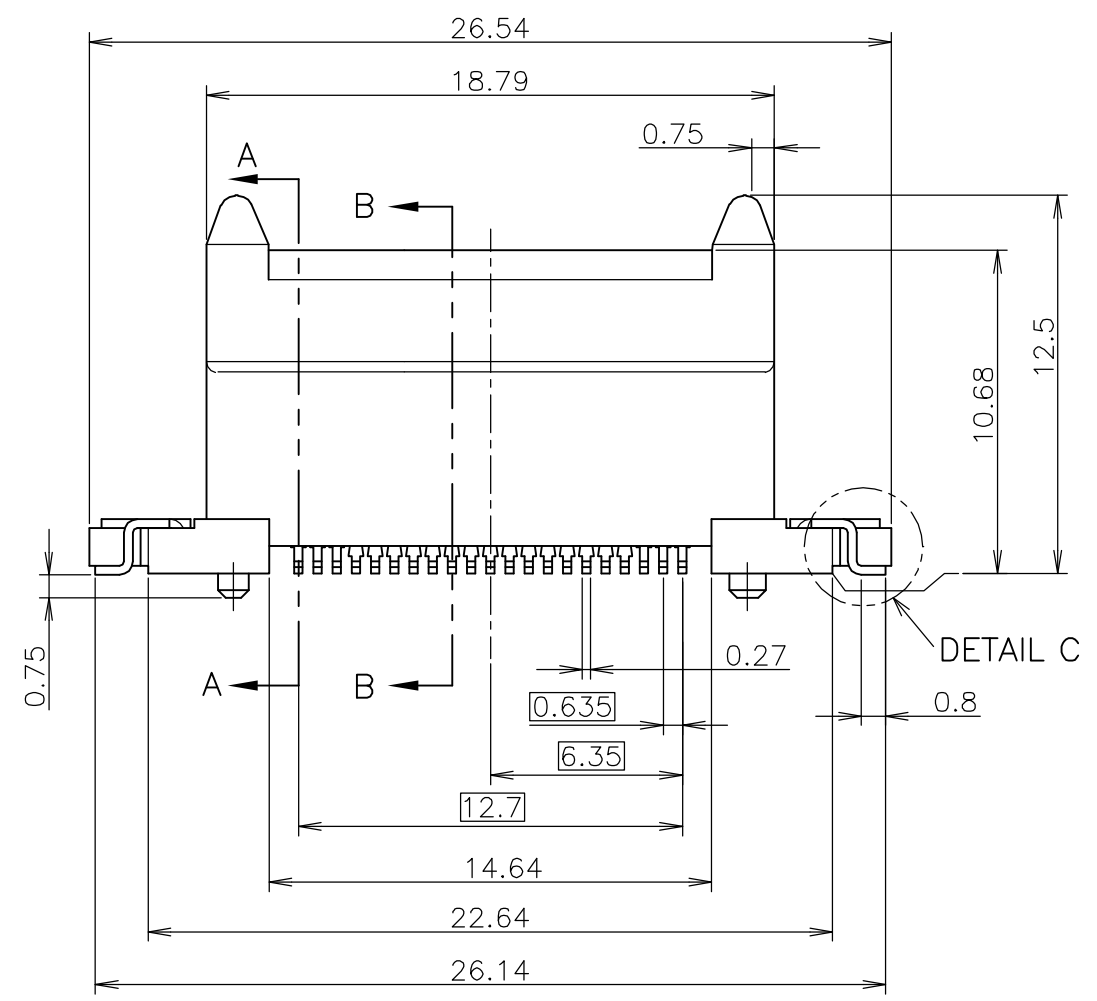
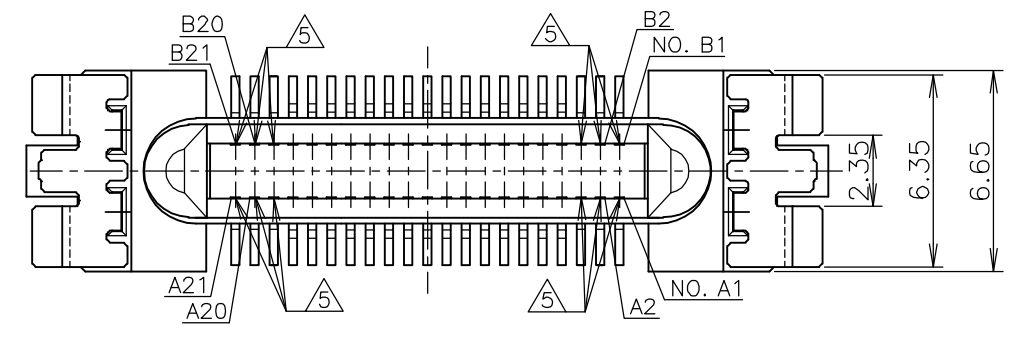
- 1. MATERIAL :
 EMBOSS TAPE : PS
 COVER TAPE : PET
- 2. DIMENSION OF CONNECTOR AND RECOMMENDED P.C.BOARD LAYOUT : SEE CONNECTOR DRAWING.
- 3. GENERAL TOLERANCE: ±0.3 , ±3°



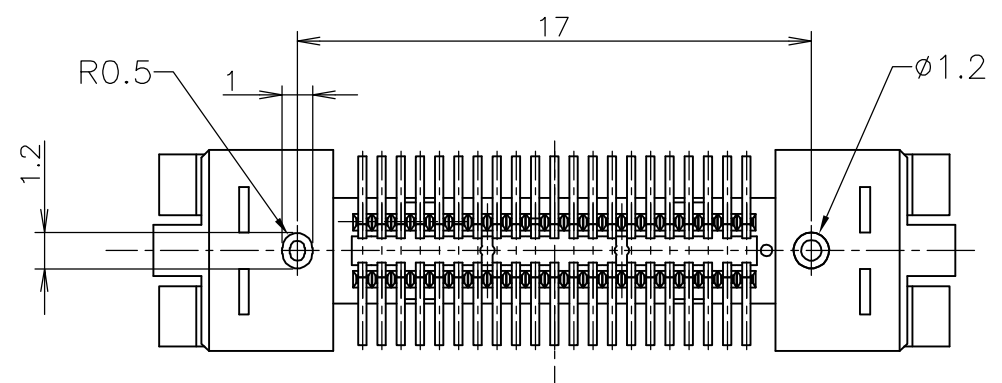
THIS DRAWING IS A CONTROLLED DOCUMENT.		DWN		Tyco Electronics AMP K.K. Kawasaki, Japan	
DIMENSIONS: 単位: 耗 mm		CHK		NAME 名称	
		APVD		EMBOSS ASSY	
TOLERANCES UNLESS OTHERWISE SPECIFIED: 一般公差		PRODUCT SPEC 製品規格		0.635mm PITCH BAY CONNECTOR PLUG WITH BOSS	
0 PLC ± 1 PLC ± 2 PLC ± 3 PLC ± 4 PLC ± ANGLES ±		APPLICATION SPEC 取付適用規格		SIZE CAGE CODE DRAWING NO 番号 RESTRICTED TO	
MATERIAL 材料		WEIGHT		A3 00779 C-1903291	
FINISH 仕上		CUSTOMER DRAWING		SCALE 尺度 NTS SHEET 2 OF 4 REV D	

THIS DRAWING IS UNPUBLISHED. RELEASED FOR PUBLICATION
 © COPYRIGHT BY TYCO ELECTRONICS CORPORATION. ALL RIGHTS RESERVED.

LOC	DIST	REVISIONS					
J		P	LTR	DESCRIPTION	DATE	DWN	APVD
			-	SEE SHEET 1	-	-	-



DETAIL C
10:1

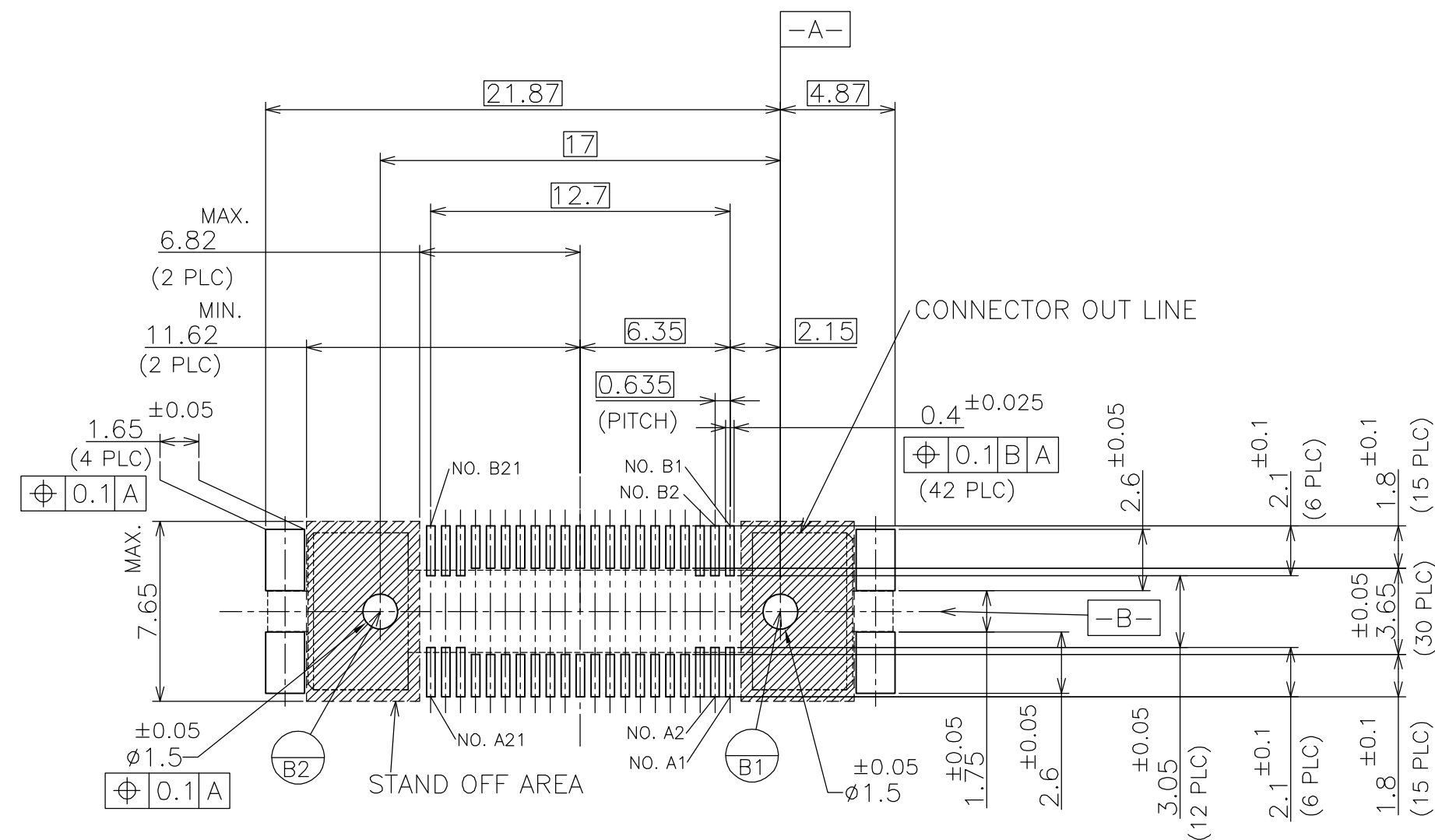


1903277-1 : AS SHOWN
(REFERENCE)

THIS DRAWING IS A CONTROLLED DOCUMENT.		DWN	Tyco Electronics AMP K.K. Kawasaki, Japan	
DIMENSIONS: 単位: 耗 mm		CHK		
TOLERANCES UNLESS OTHERWISE SPECIFIED: 一般公差		APVD	NAME 名称	
0 PLC ± 1 PLC ± 2 PLC ± 3 PLC ± 4 PLC ± ANGLES ±		PRODUCT SPEC 製品規格	EMBOSS ASSY 0.635mm PITCH BAY CONNECTOR PLUG WITH BOSS	
MATERIAL 材料		APPLICATION SPEC 取付適用規格	SIZE	CAGE CODE
FINISH 仕上		WEIGHT	A3	00779
4		DRAWING NO 番号		RESTRICTED TO
4		C-1903291		
CUSTOMER DRAWING		SCALE 尺度	SHEET	REV
		4:1	3 OF 4	D

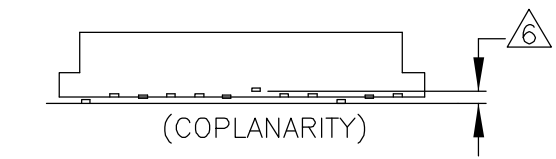
THIS DRAWING IS UNPUBLISHED. RELEASED FOR PUBLICATION
 © COPYRIGHT BY TYCO ELECTRONICS CORPORATION. ALL RIGHTS RESERVED.

LOC	DIST	REVISIONS 変更			
P	LTR	DESCRIPTION	DATE	DWN	APVD
J		SEE SHEET 1	-	-	-



RECOMMENDED P.C.BOARD LAYOUT
(REFERENCE)

- △ 材質:
 ハウジング ; 熱可塑性樹脂 (UL94V-0, 黒色)
 コンタクト ; 銅合金
 仕上げ ; 全面 ニッケル下地めっき
 接点部 金めっき
 半田付け部 すずめっき
 ソルダーペグ ; 銅合金
 仕上げ ; 全面すずめっき
- △ シーケンシャルピン (LONGピン) : 左サイド 6ピン (A19,20,21 B19,20,21)
 右サイド 6ピン (A1,2,3 B1,2,3)
 両サイド計 12ピン
- △ コネクタを平坦面に置き、タイン、ペグの浮きは0.1以下。



- △ MATERIAL
 HOUSING : THERMO-PLASTICS (UL94V-0, BLACK)
 CONTACT : COPPER ALLOY
 FINISH : ALL OVER Ni UNDER PLATING.
 Au PLATING ON CONTACT AREA.
 TIN PLATING ON TINE AREA.
 PEG : COPPER ALLOY
 FINISH : ALL OVER TIN PLATING.
- △ SEQUENTIAL CONTACTS.(LONG CONTACTS) :
 LEFT SIDE 6 PINS (A19,20,21 B19,20,21)
 RIGHT SIDE 6 PINS (A1,2,3 B1,2,3)
 BOTH SIDE TOTAL 12PINS
- △ MUST BE MEASURED FLOATING AMOUNT OF TINES & PEG
 FROM DATUM SURFACE IS 0.1 MAX.

THIS DRAWING IS A CONTROLLED DOCUMENT.		DWN	Tyco Electronics AMP K.K. Kawasaki, Japan			
DIMENSIONS: 単位: 耗 mm		CHK				
TOLERANCES UNLESS OTHERWISE SPECIFIED: 一般公差		APVD	NAME 名称			
0 PLC ± 1 PLC ± 2 PLC ± 3 PLC ± 4 PLC ± ANGLES ±		PRODUCT SPEC 製品規格	EMBOSS ASSY 0.635mm PITCH BAY CONNECTOR PLUG WITH BOSS			
MATERIAL 材料		APPLICATION SPEC 取付適用規格	SIZE	CAGE CODE	DRAWING NO 番号	RESTRICTED TO
FINISH 仕上		WEIGHT	A3	00779	C-1903291	
CUSTOMER DRAWING			SCALE 尺度 4:1	SHEET 4 OF 4	REV D	