



Chipsmall Limited consists of a professional team with an average of over 10 year of expertise in the distribution of electronic components. Based in Hongkong, we have already established firm and mutual-benefit business relationships with customers from,Europe,America and south Asia,supplying obsolete and hard-to-find components to meet their specific needs.

With the principle of “Quality Parts,Customers Priority,Honest Operation,and Considerate Service”,our business mainly focus on the distribution of electronic components. Line cards we deal with include Microchip,ALPS,ROHM,Xilinx,Pulse,ON,Everlight and Freescale. Main products comprise IC,Modules,Potentiometer,IC Socket,Relay,Connector.Our parts cover such applications as commercial,industrial, and automotives areas.

We are looking forward to setting up business relationship with you and hope to provide you with the best service and solution. Let us make a better world for our industry!



## Contact us

Tel: +86-755-8981 8866 Fax: +86-755-8427 6832

Email & Skype: info@chipsmall.com Web: www.chipsmall.com

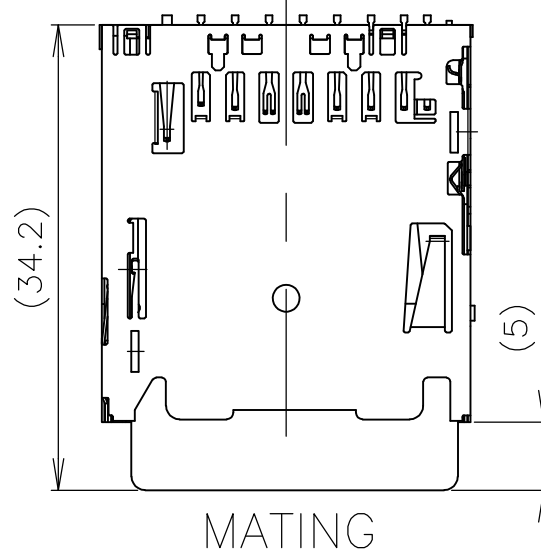
Address: A1208, Overseas Decoration Building, #122 Zhenhua RD., Futian, Shenzhen, China



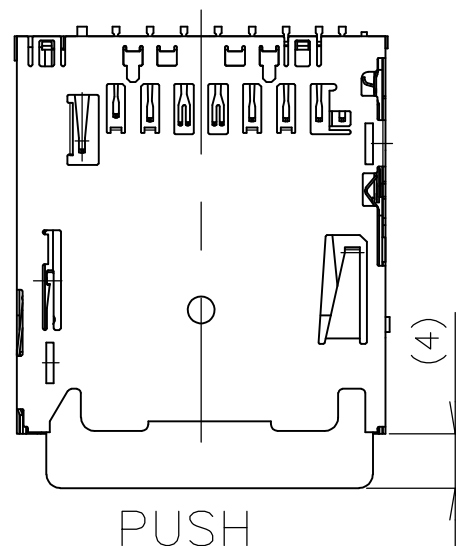


P	LTR	DESCRIPTION	DATE	DWN	APVD
-	-	SEE SHEET 1	-	-	-

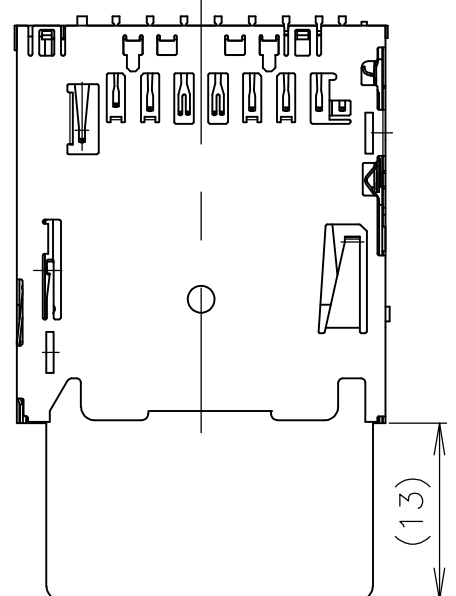
1903302=1,=2,-3,-4 ; AS SHOWN



MATING



PUSH

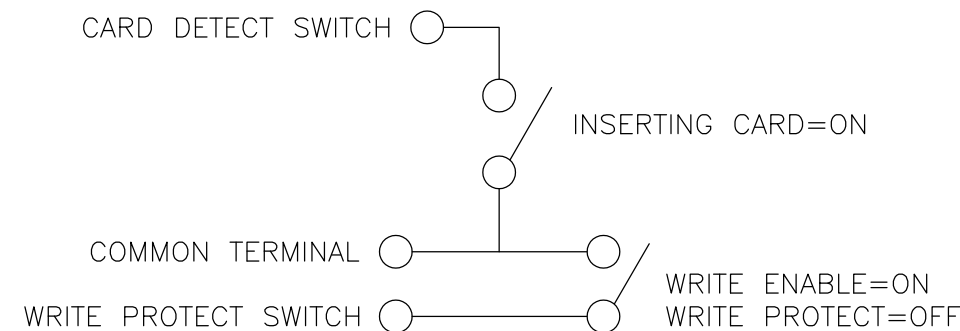


EJECT

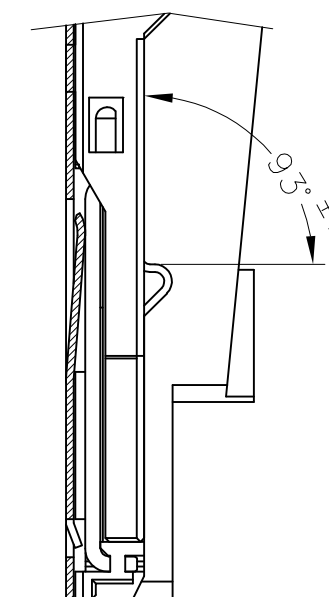
- ① カード認識スイッチ用
- ② コモン端子用
- ③ ライトプロテクトスイッチ用
- 4 カード挿入時の接触の順番  
PIN #3,4 → PIN #2,5,6,7,8,9  
カード認識スイッチ ← PIN #1 ←
- ⑤ スイッチの回路図
- 6 本製品は浸漬による洗浄は行わないこと。
- ⑦ 部品実装禁止エリア
- 8 コプラナリティは、0.1mm以下。
- 9 材料  
ハウジング：LCP樹脂、UL94V-0、黒色  
スライダー：LCP樹脂、UL94V-0、NATURAL  
コンタクト：銅合金  
シェル：銅合金 (t=0.2)
- 10 仕上げ  
コンタクト：接点部：Ni下地めっき 2~4μm、Auめっき0.2~0.5μm。  
          タイン：Snめっき 2~4μm。(無光沢)  
          タイン：Auめっき 0.05~0.13μm。(コモン端子)  
シェル：Cu 0.5μm.MIN. Snめっき(前めっき リフロー処理) 1μm. MIN.
- 11 適合基板厚 0.8±0.1mm
- 12 サンプルを実装して不具合の有無を確認して下さい。
- 13 対応カード：SDAの規格に準拠したSDカード

- ① FOR CARD DETECT SWITCH
- ② FOR COMMON TERMINAL
- ③ FOR WRITE PROTECT SWITCH
- 4 THE SEQUENCE OF CONTACT DURING CARD INSERTION  
PIN #3,4 → PIN #2,5,6,7,8,9  
CARD DETECT SWITCH ← PIN #1 ←
- ⑤ CIRCUIT DRAWING OF SWITCH
- 6 DON'T WASH BY IMMERSING THE CONNECTOR IN FLUID
- ⑦ COMPONENT PROHIBITION AREA
- 8 COPLANARITY IS 0.1 MAX.
- 9 MATERIAL  
HOUSING: LCP, UL94V-0, BLACK  
SLIDER: LCP, UL94V-0, NATURAL  
CONTACT: COPPER ALLOY  
SHELL: COPPER ALLOY (t=0.2)
- 10 FINISH  
CONTACT: CONTACT AREA: Ni UNDER PLATING 2~4um. Au PLATING 0.2~0.5um.  
          TINE: Sn PLATING 2~4um. (NON LUSTER)  
          TINE: Au PLATING 0.05~0.13um. (COMMON TERMINAL)  
SHELL: Cu 0.5um. MIN. Sn PLATING (PRE-TIN REFLOW) 1um. MIN.
- 11 APPLICABLE BOARD THICKNESS :0.8±0.1mm
- 12 PLEASE MOUNT THE SAMPLE AND CONFIRM THE PRESENCE OF TROUBLE.
- 13 ADAPTABLE CARD : SD CARD IN ACCORDANCE WITH STANDARD OF SDA.

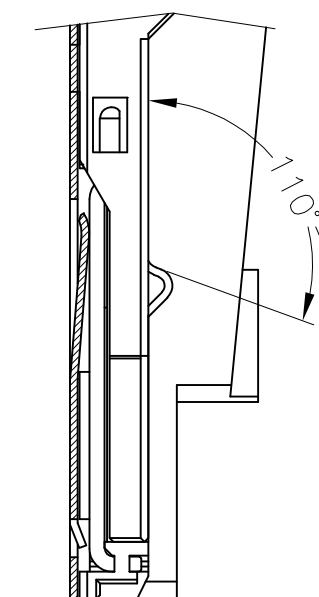
⑤ CIRCUIT DRAWING OF SWITCH



ANGLE OF HOOK SPRING



ANGLE OF HOOK SPRING UNIT.  
=4,-3 : AS SHOWN



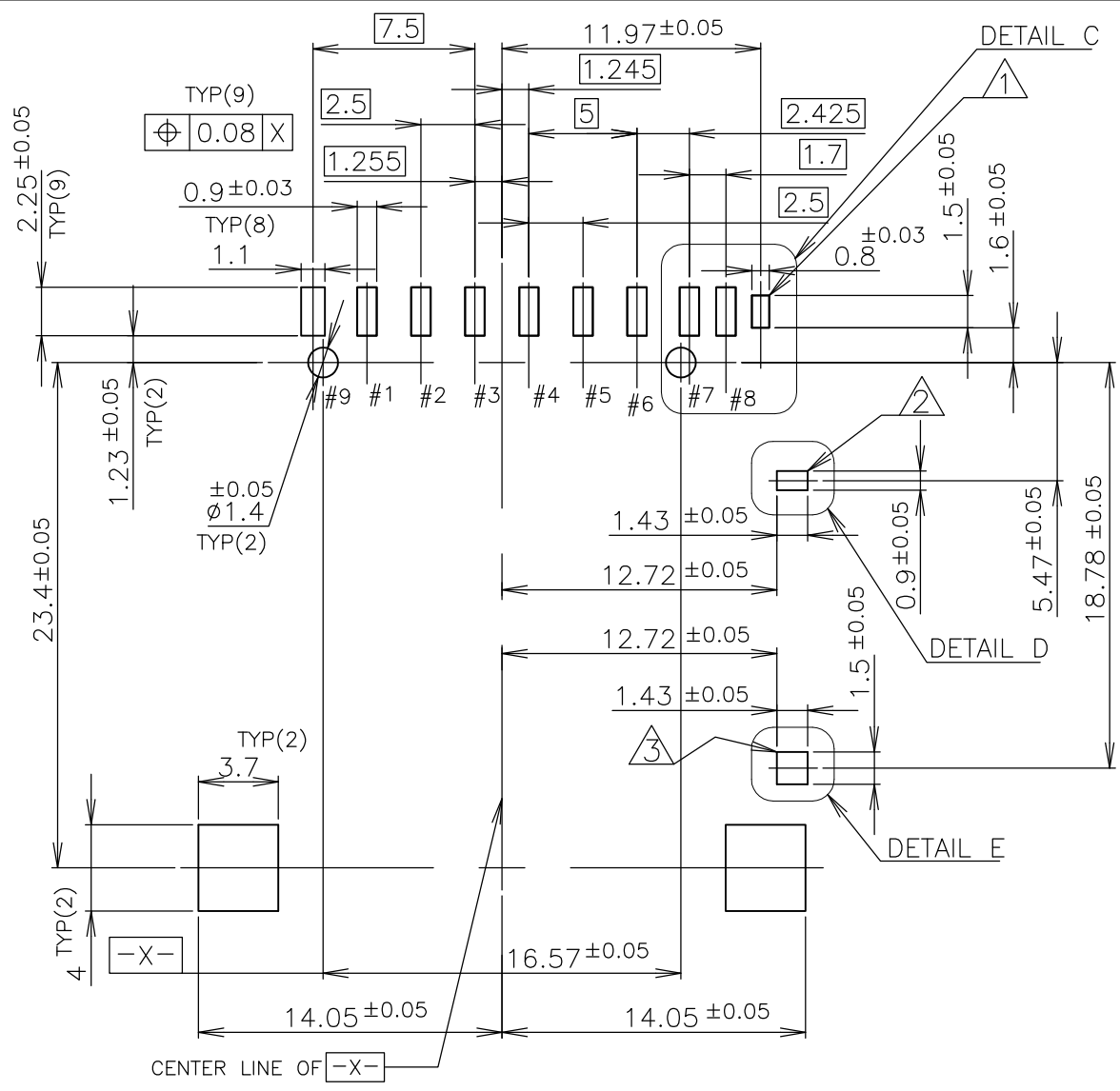
ANGLE OF HOOK SPRING UNIT.  
=2,-4 : AS SHOWN

F-F

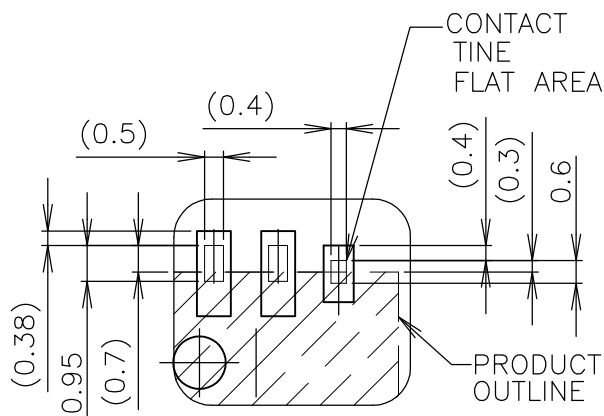
THIS DRAWING IS A CONTROLLED DOCUMENT.		DWN	<b>STE</b> TE Connectivity		
DIMENSIONS: 単位: 耗 mm		CHK			
TOLERANCES UNLESS OTHERWISE SPECIFIED: 一般公差		APVD	NAME 名称		
0 PLC ± 0.3		PRODUCT SPEC 製品規格	SD MEMORY CARD CONNECTOR PUSH PUSH TYPE REVERSE H0		
1 PLC ± 0.3		APPLICATION SPEC 取付適用規格	SIZE	CAGE CODE	DRAWING NO 番号
2 PLC ± 0.3		WEIGHT	A3	00779	G-1903302
3 PLC ± 0.3		CUSTOMER DRAWING	RESTRICTED TO		
4 PLC ± 0.3			SCALE 尺度 NTS		
ANGLES ± 3'			SHEET 2 OF 4		
MATERIAL 材料	FINISH 仕上		REV G1		

THIS DRAWING IS UNPUBLISHED. RELEASED FOR PUBLICATION OCT. 2005.  
 © COPYRIGHT 2005 By - ALL RIGHTS RESERVED.

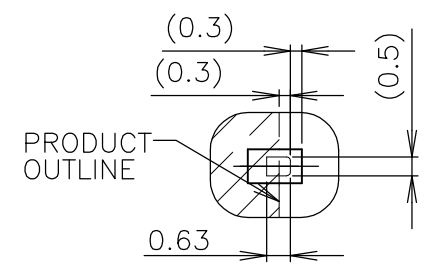
REVISIONS					
変更					
P	LTR	DESCRIPTION	DATE	DWN	APVD
-	-	SEE SHEET 1	-	-	-



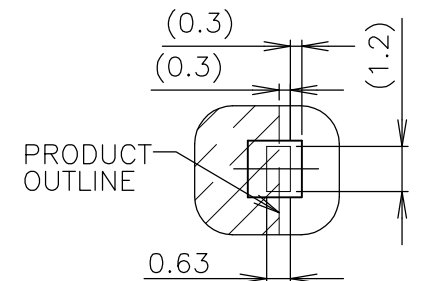
PCB PATTERN LAYOUT(REFERENCE)  
 (VIEW FROM CONNECTOR MOUNT SIDE)



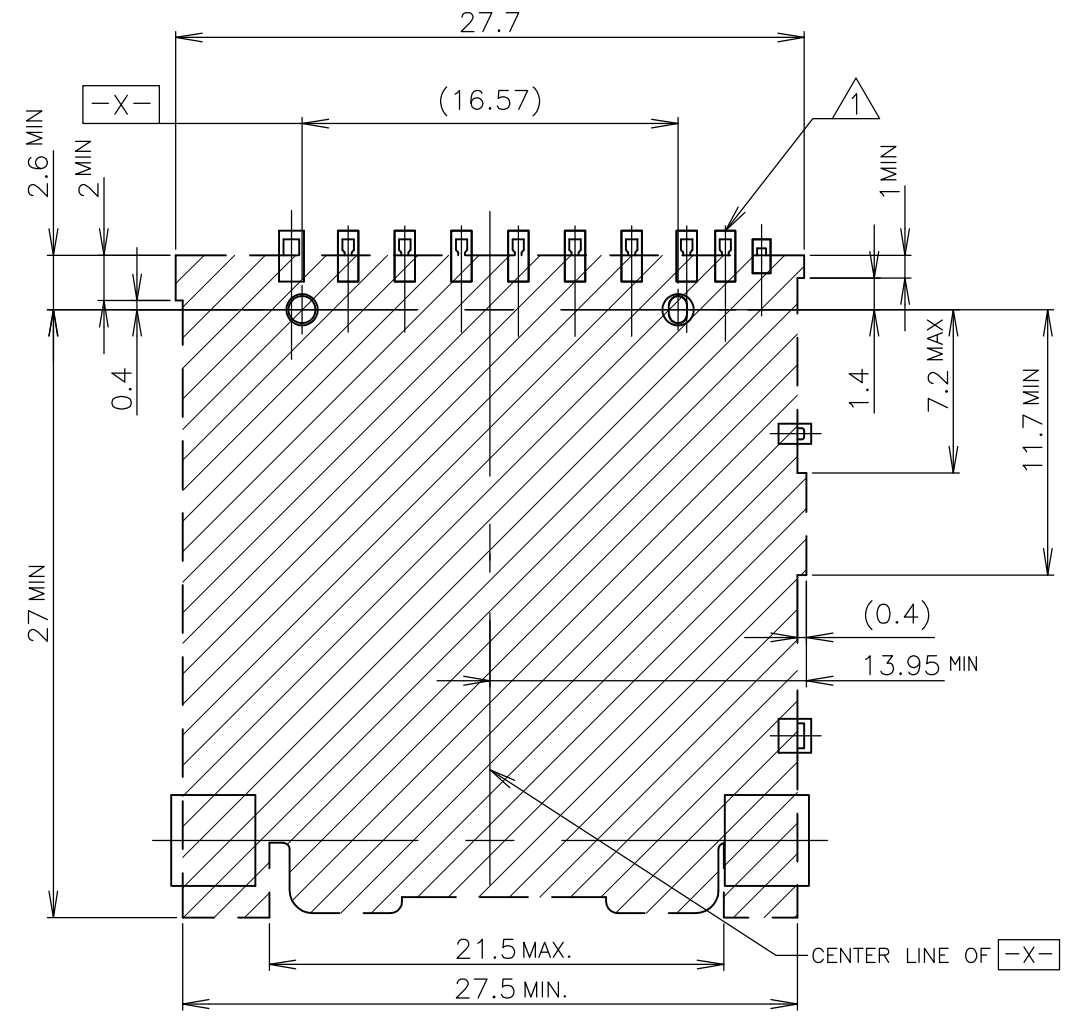
DETAIL C (SCALE 5:1)



DETAIL D (SCALE 5:1)

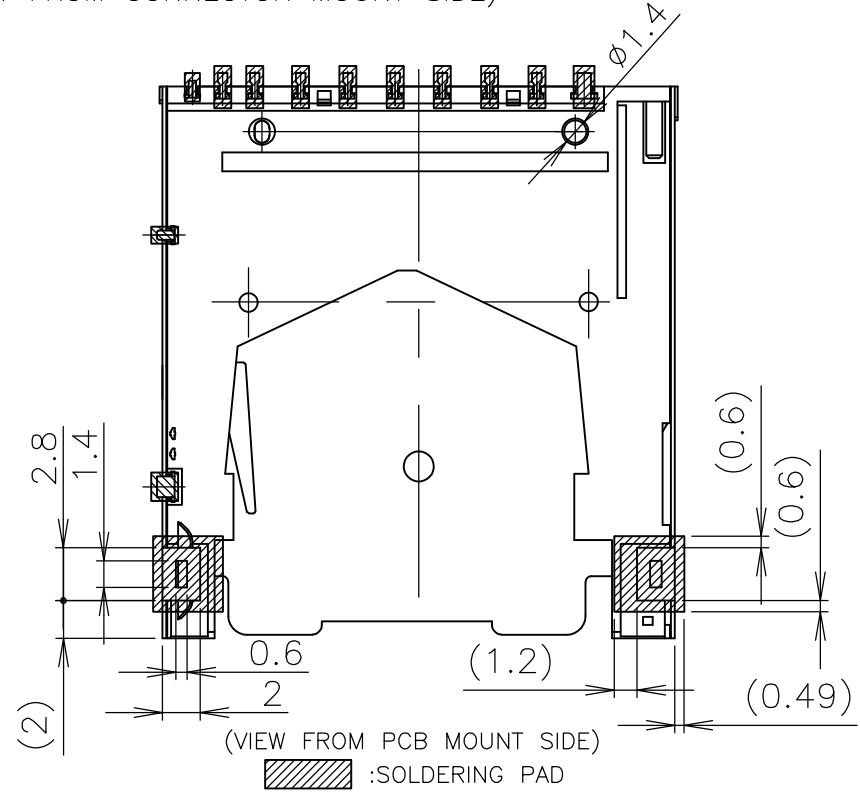


DETAIL E (SCALE 5:1)



(VIEW FROM CONNECTOR MOUNT SIDE)

▨ : COMPONENT PROHIBITION AREA  
 □ : SOLDERING PAD



(VIEW FROM PCB MOUNT SIDE)

▨ : SOLDERING PAD

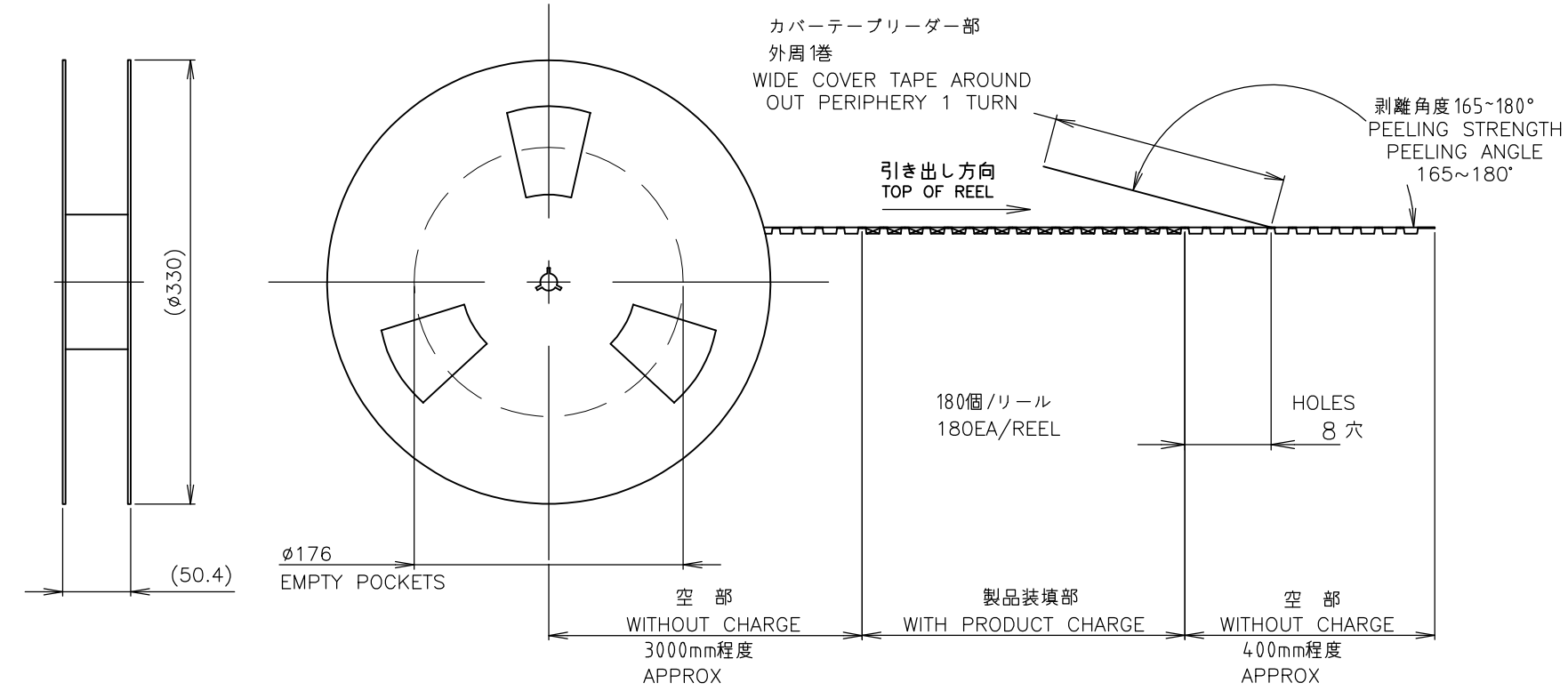
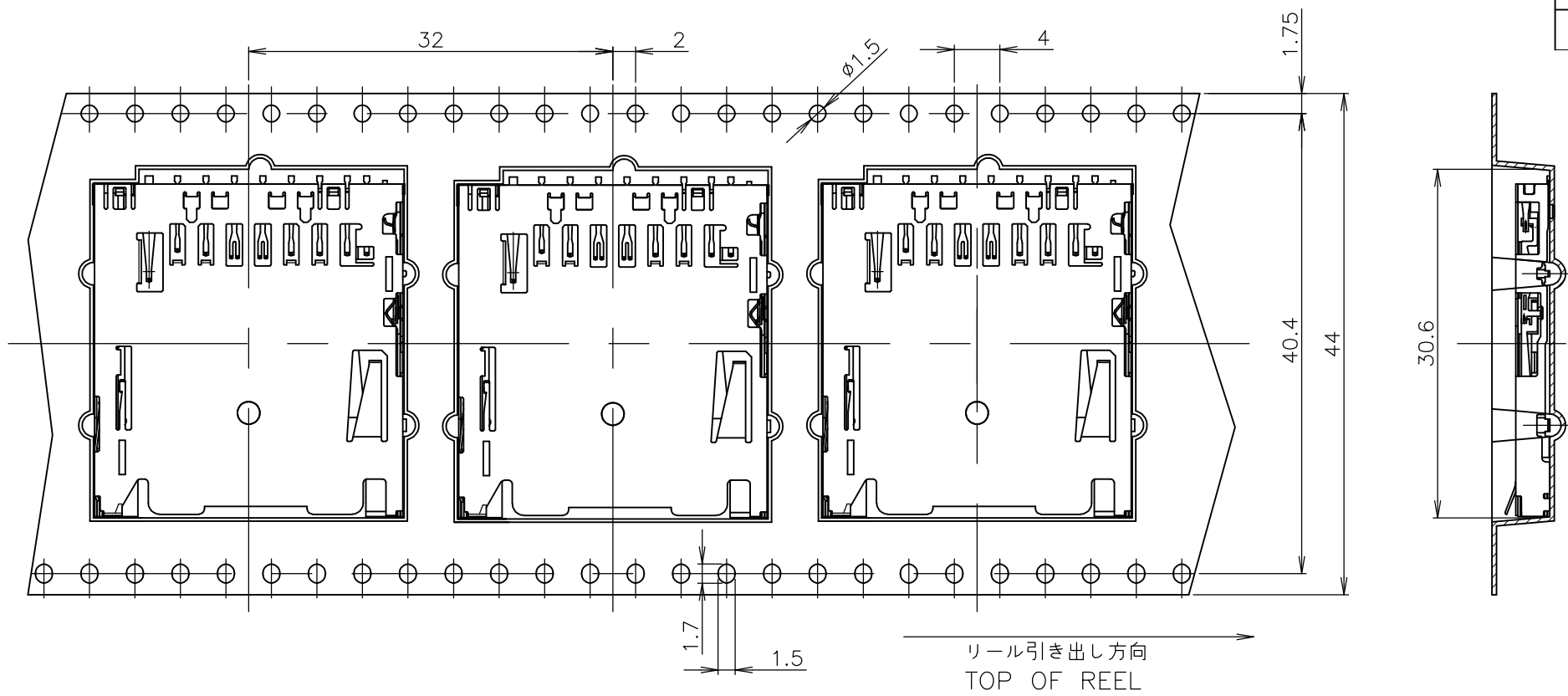
1903302=1,=2,-3,-4 ; AS SHOWN

THIS DRAWING IS A CONTROLLED DOCUMENT.		DWN	TE Connectivity		
DIMENSIONS: 単位: 耗 mm		CHK			
TOLERANCES UNLESS OTHERWISE SPECIFIED: 一般公差		APVD	NAME 名称		
0 PLC ± 0.3		PRODUCT SPEC 製品規格	SD MEMORY CARD CONNECTOR		
1 PLC ± 0.3		APPLICATION SPEC 取付適用規格	PUSH PUSH TYPE		
2 PLC ± 0.3		WEIGHT	SIZE	CAGE CODE	DRAWING NO 番号
3 PLC ± 0.3		CUSTOMER DRAWING	A3	00779	G-1903302
4 PLC ± 0.3			SCALE 尺度	NTS	SHEET 3 OF 4
ANGLES ± 3°		RESTRICTED TO			
FINISH 仕上					



THIS DRAWING IS UNPUBLISHED. RELEASED FOR PUBLICATION OCT. 2005.  
 © COPYRIGHT 2005 By - ALL RIGHTS RESERVED.

REVISIONS				
P	LTR	DESCRIPTION	DATE	APVD
-	-	SEE SHEET 1	-	-



1903302=1,=2,-3,-4 ; AS SHOWN

THIS DRAWING IS A CONTROLLED DOCUMENT.		DWN	<b>STE</b> TE Connectivity		
DIMENSIONS: 単位: 耗 mm		CHK			
TOLERANCES UNLESS OTHERWISE SPECIFIED: 一般公差		APVD	NAME 名称		
0 PLC ± 0.3		PRODUCT SPEC 製品規格	SD MEMORY CARD CONNECTOR		
1 PLC ± 0.3		APPLICATION SPEC 取付適用規格	PUSH PUSH TYPE		
2 PLC ± 0.3		WEIGHT	SIZE	CAGE CODE	DRAWING NO 番号
3 PLC ± 0.3		CUSTOMER DRAWING	A3	00779	G-1903302
4 PLC ± 0.3			SCALE 尺度	NTS	SHEET 4 OF 4
ANGLES ± 3°		RESTRICTED TO			
FINISH 仕上					