



Chipsmall Limited consists of a professional team with an average of over 10 year of expertise in the distribution of electronic components. Based in Hongkong, we have already established firm and mutual-benefit business relationships with customers from,Europe,America and south Asia,supplying obsolete and hard-to-find components to meet their specific needs.

With the principle of “Quality Parts,Customers Priority,Honest Operation,and Considerate Service”,our business mainly focus on the distribution of electronic components. Line cards we deal with include Microchip,ALPS,ROHM,Xilinx,Pulse,ON,Everlight and Freescale. Main products comprise IC,Modules,Potentiometer,IC Socket,Relay,Connector.Our parts cover such applications as commercial,industrial, and automotives areas.

We are looking forward to setting up business relationship with you and hope to provide you with the best service and solution. Let us make a better world for our industry!



## Contact us

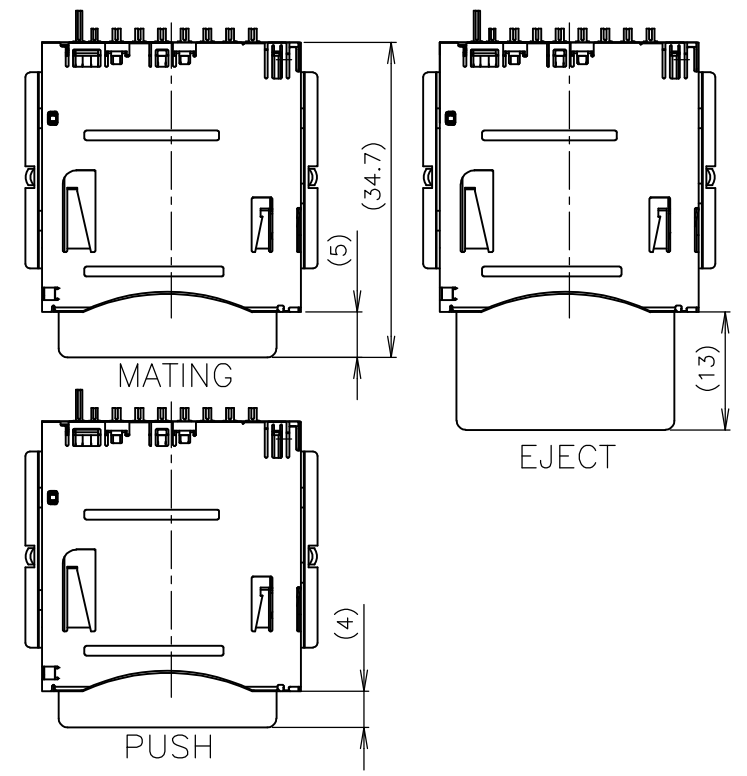
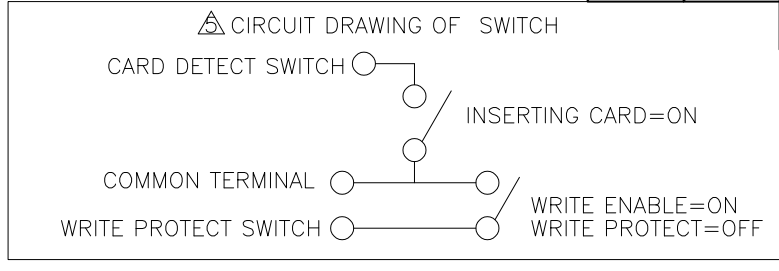
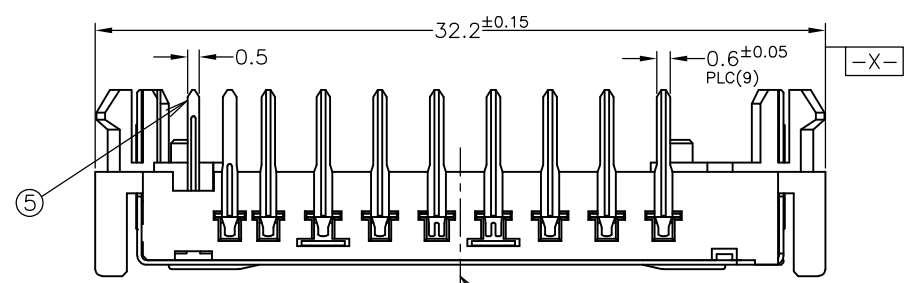
Tel: +86-755-8981 8866 Fax: +86-755-8427 6832

Email & Skype: info@chipsmall.com Web: www.chipsmall.com

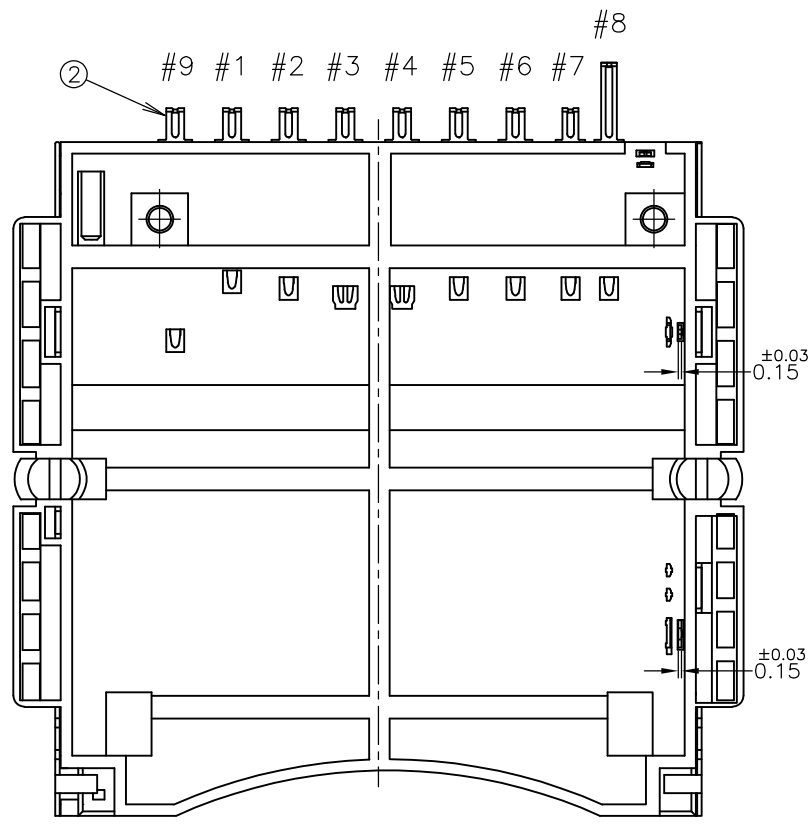
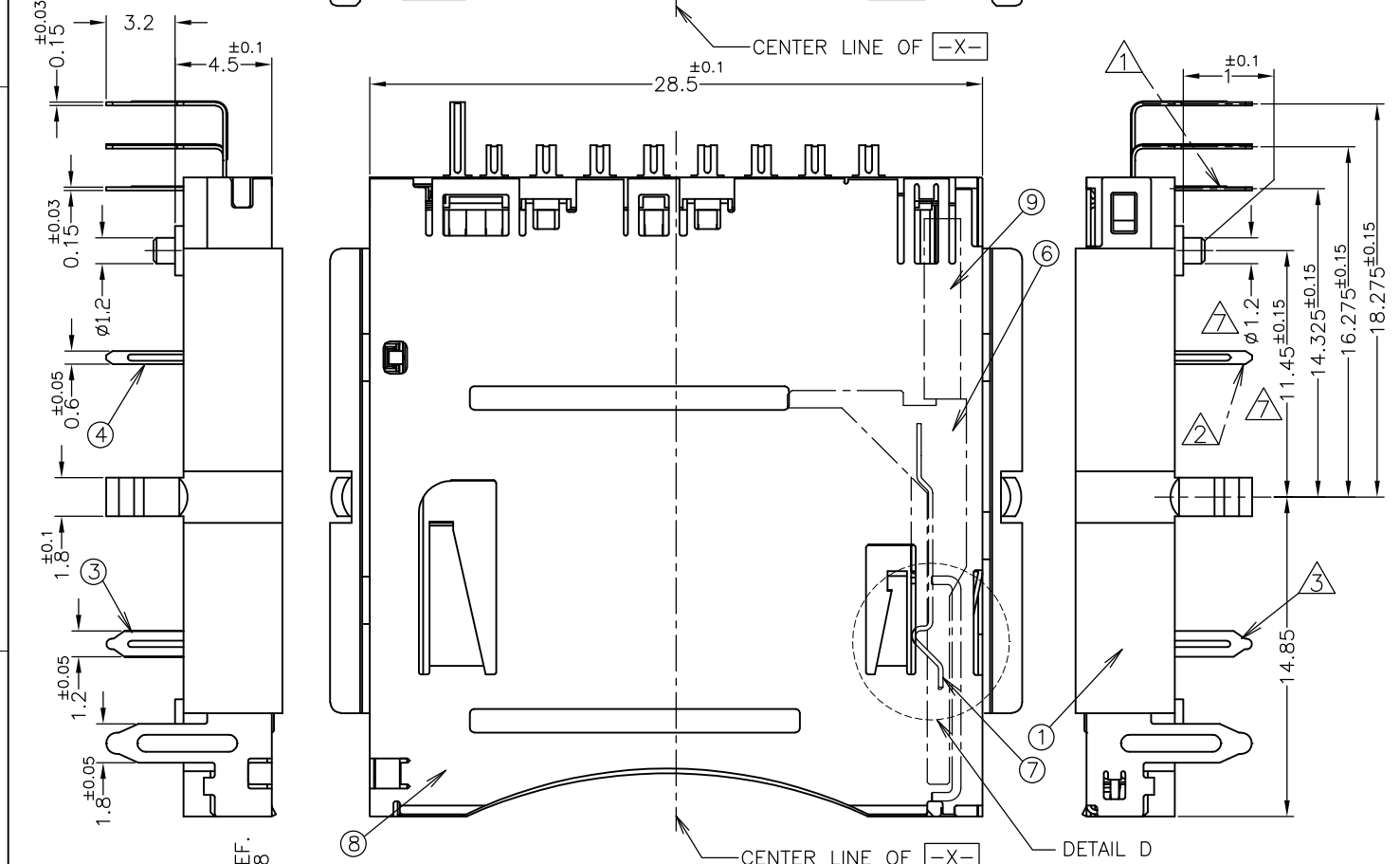
Address: A1208, Overseas Decoration Building, #122 Zhenhua RD., Futian, Shenzhen, China



P	LTR	DESCRIPTION	DATE	DWN	APVD
	F	REVISED	21JUN2012	Y.O	T.K



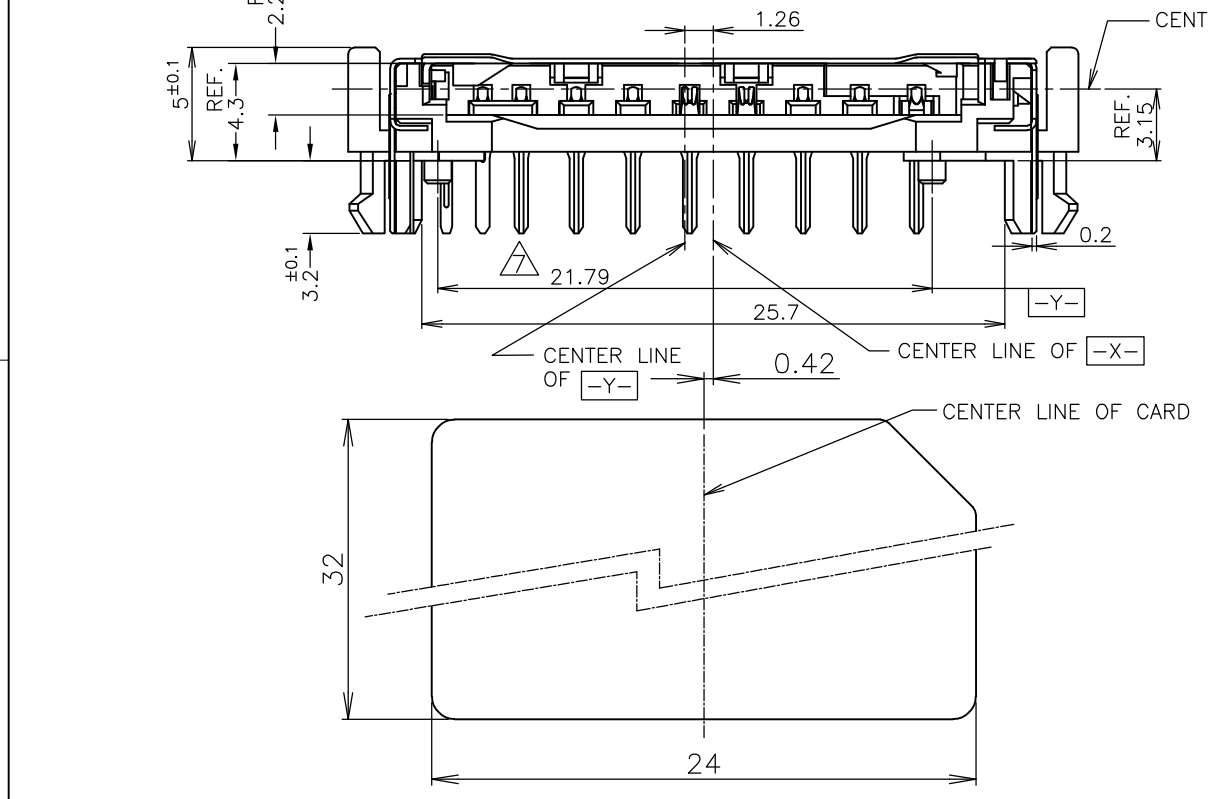
CARD LOCATION WHEN OPERATING



ITEM	DESCRIPTION	MATERIAL	FINISH	QTY
⑩	CAM ROD	SUS	-	1
⑨	COIL SPRING	SWP	-	1
⑧	SHELL	COPPER ALLOY OR SUS	TIN PLATE	1
⑦	HOOK SPRING	SUS	-	1
⑥	SLIDER	THERMOPLASTIC	-	1
⑤	SWITCH C	COPPER ALLOY	Au ON CONTACT AREA AND SOLDER TINE OVER NI.	1
④	SWITCH B	COPPER ALLOY	Au ON CONTACT AREA AND SOLDER TINE OVER NI.	1
③	SWITCH A	COPPER ALLOY	Au ON CONTACT AREA AND SOLDER TINE OVER NI.	1
②	CONTACT	COPPER ALLOY	Au ON CONTACT AREA AND SOLDER TINE OVER NI.	1
①	HOUSING	THERMOPLASTIC	-	1

注記  
 △ カード認識スイッチ用  
 △ コモン端子用  
 △ ライトプロテクトスイッチ用  
 4 カード挿入時の接触の順番  
 PIN #3,4 — PIN #2,5,6,7,8,9  
 カード認識スイッチ — PIN #1  
 △ スイッチの回路図  
 6 本製品は浸漬による洗浄は行わないこと。  
 △ ボス無しタイプには、適用なし。  
 △ 材料&仕上げはテーブルを参照のこと。

NOTE  
 △ FOR CARD DETECT SWITCH  
 △ FOR COMMON TERMINAL  
 △ FOR WRITE PROTECT SWITCH  
 4 THE SEQUENCE OF CONTACT DURING CARD INSERTION  
 PIN #3,4 — PIN #2,5,6,7,8,9  
 CARD DETECT SWITCH — PIN #1  
 △ CIRCUIT DRAWING OF SWITCH  
 6 DON'T WASH BY IMMERSING THE CONNECTOR IN FLUID  
 △ NO APPLIED TO WITHOUT BOSS TYPE.  
 △ REFER TO THE TABLE FOR MATERIAL AND FINISH.



THIS DRAWING IS A CONTROLLED DOCUMENT.

DWN T.AOKI 15JULY2005  
 CHK Y.UCHIKAWA 15JULY2005  
 APVD T.KUSUHARA 15JULY2005

NAME 名称  
 SD MEMORY CARD CONNECTOR  
 PUSH PUSH TYPE  
 STANDARD DIP MOUNT

PRODUCT SPEC 製品規格  
 108-78401

APPLICATION SPEC 取付適用規格

WEIGHT

MATERIAL 材料

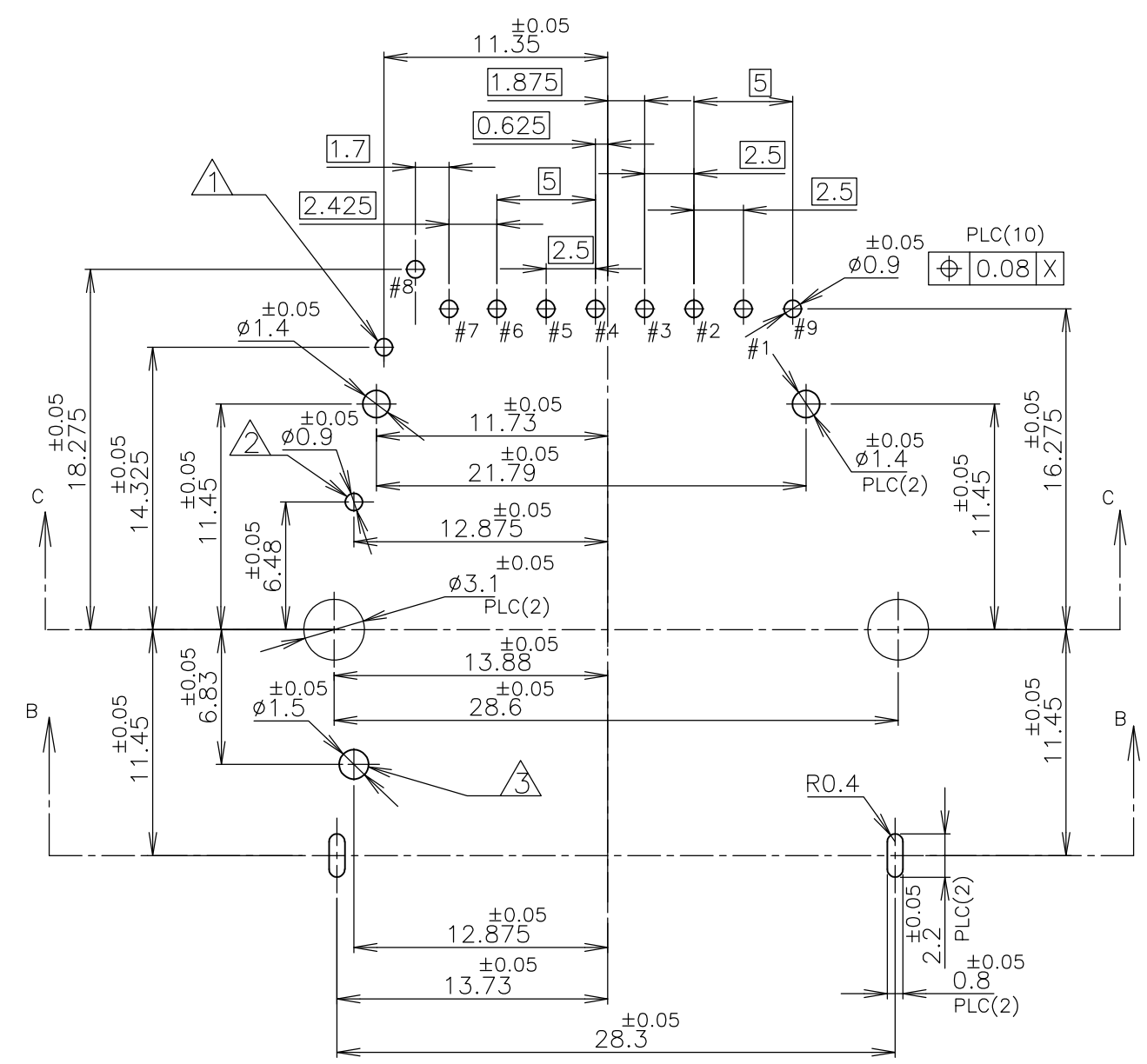
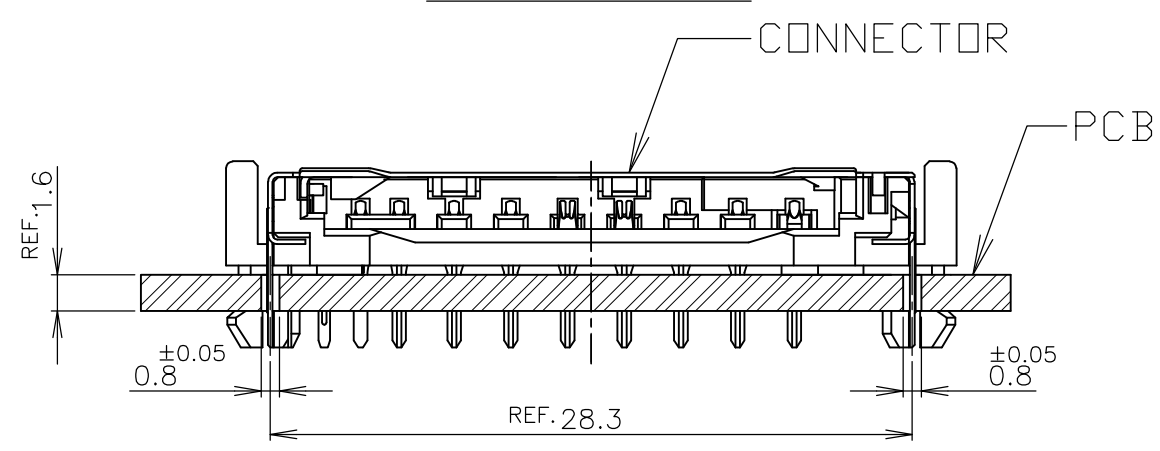
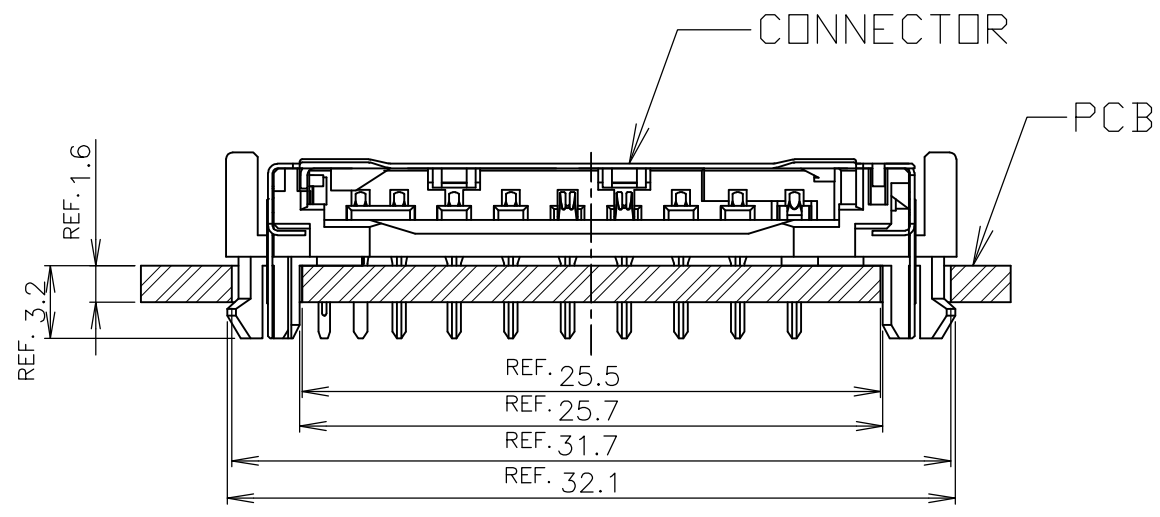
FINISH 仕上げ

SIZE A3 CAGE CODE 00779 DRAWING NO G-1903572 RESTRICTED TO

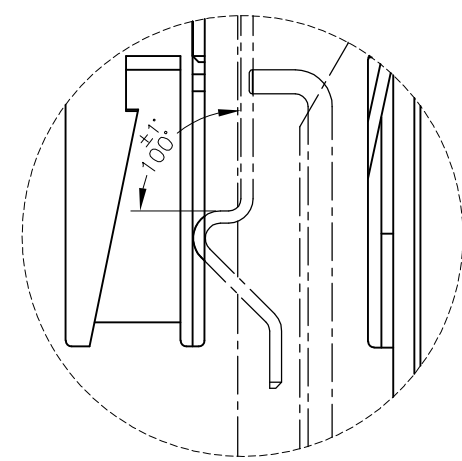
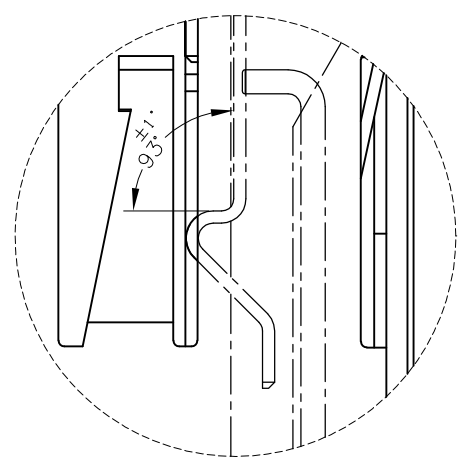
CUSTOMER DRAWING SCALE 尺度 3:1 SHEET 1 OF 3 REV F

THIS DRAWING IS UNPUBLISHED. RELEASED FOR PUBLICATION MAR , 2003.  
 © COPYRIGHT 2004 By - ALL RIGHTS RESERVED.

LOC	DIST	REVISIONS					
J		P	LTR	DESCRIPTION	DATE	DWN	APVD
		-		SEE SHEET 1	-	-	-



ANGLE OF HOOK SPRING



ANGLE OF HOOK SPRING UNIT.  
-1,-2 : AS SHOWN

ANGLE OF HOOK SPRING UNIT.  
-3,-4 : AS SHOWN

DETAIL D

WITHOUT	SUS	100° ± 1'	WITH	1903572-4
WITH	COPPER ALLOY	100° ± 1'	WITH	1903572-3
WITH	COPPER ALLOY	93° ± 1'	WITHOUT	1903572-2
WITH	COPPER ALLOY	93° ± 1'	WITH	1903572-1
ANTI-FLUX MIGRATION AGENTS	MATERIAL OF SHELL	ANGLE OF HOOK SPRING	BOSS	PART NUMBER

PCB LAYOUT(REFERENCE)  
(VIEWED FROM CONNECTOR MOUNT SIDE)

THIS DRAWING IS A CONTROLLED DOCUMENT.

DWN: -  
CHK: -  
APVD: -

STE TE Connectivity

SD MEMORY CARD CONNECTOR  
PUSH PUSH TYPE  
STANDARD DIP MOUNT

NAME: 番号  
PRODUCT SPEC: 製品規格  
APPLICATION SPEC: 取付適用規格

SIZE: A3 CAGE CODE: 00779 DRAWING NO: 番号 1903572 RESTRICTED TO: -

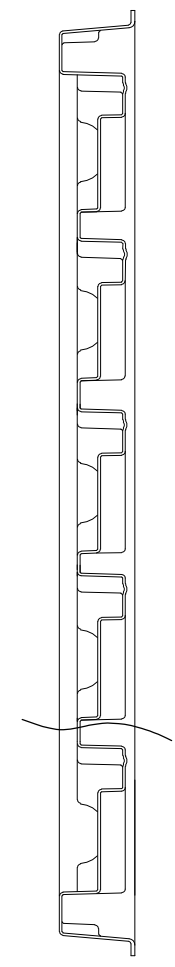
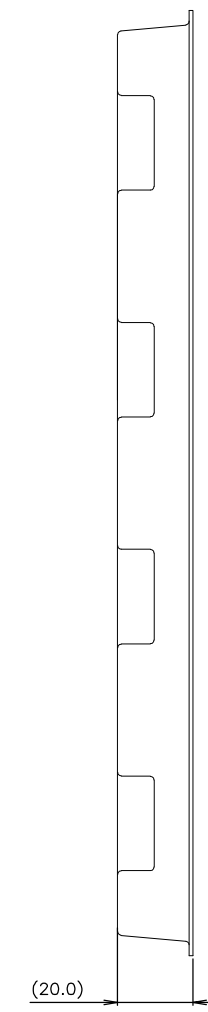
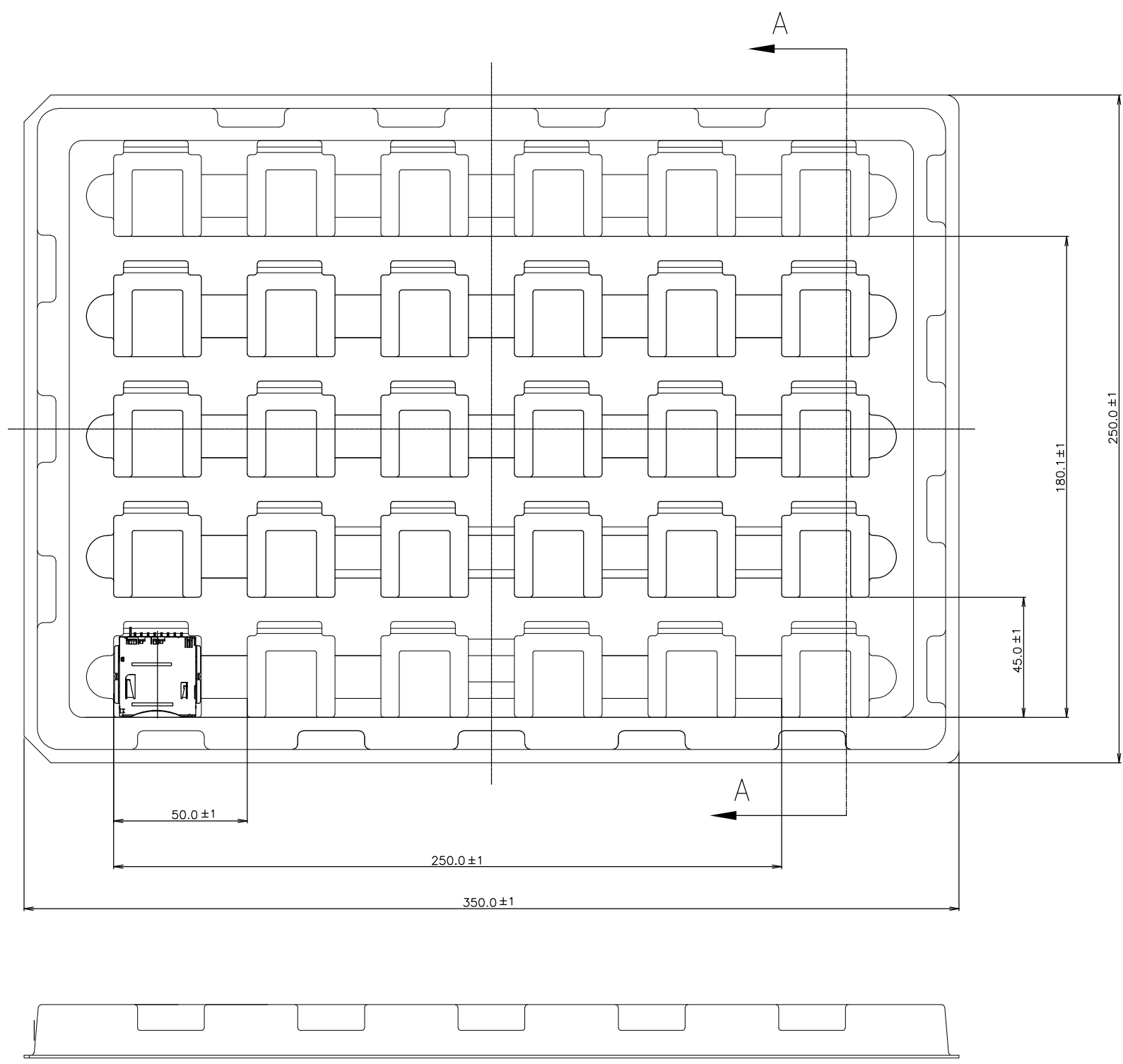
WEIGHT: -

CUSTOMER DRAWING

SCALE: 尺度 3:1 SHEET: 2 OF 3 REV: F

THIS DRAWING IS UNPUBLISHED.      RELEASED FOR PUBLICATION      MAR , 2003.  
 © COPYRIGHT 2004 By -      ALL RIGHTS RESERVED.

LOC	DIST	REVISIONS		
J	/	P	LTR	変更
				DESCRIPTION
				DATE
				DWN
				APVD



SECTION A-A

30個/トレイ  
30EA/TRAY

-1,-2,-3,-4 :AS SHOWN

THIS DRAWING IS A CONTROLLED DOCUMENT.		DWN	TE Connectivity		
DIMENSIONS: 単位: 耗 MM		CHK	NAME 名称		
TOLERANCES UNLESS OTHERWISE SPECIFIED: 一般公差		APVD	SD MEMORY CARD CONNECTOR		
0 PLC ± 0.3		PRODUCT SPEC	PUSH PUSH TYPE		
1 PLC ± 0.3		製品規格	STANDARD DIP MOUNT		
2 PLC ± 0.3		APPLICATION SPEC	SIZE	CAGE CODE	DRAWING NO
3 PLC ± 0.3		取付適用規格	A3	00779	C-1903572
4 PLC ± 0.3		WEIGHT	RESTRICTED TO		
ANGLES ± 3'					
MATERIAL 材料	FINISH 仕上	CUSTOMER DRAWING			
		SCALE 尺度	SHEET	REV	
		1:2	3 OF 3	F	