



Chipsmall Limited consists of a professional team with an average of over 10 year of expertise in the distribution of electronic components. Based in Hongkong, we have already established firm and mutual-benefit business relationships with customers from,Europe,America and south Asia,supplying obsolete and hard-to-find components to meet their specific needs.

With the principle of “Quality Parts,Customers Priority,Honest Operation,and Considerate Service”,our business mainly focus on the distribution of electronic components. Line cards we deal with include Microchip,ALPS,ROHM,Xilinx,Pulse,ON,Everlight and Freescale. Main products comprise IC,Modules,Potentiometer,IC Socket,Relay,Connector.Our parts cover such applications as commercial,industrial, and automotives areas.

We are looking forward to setting up business relationship with you and hope to provide you with the best service and solution. Let us make a better world for our industry!



Contact us

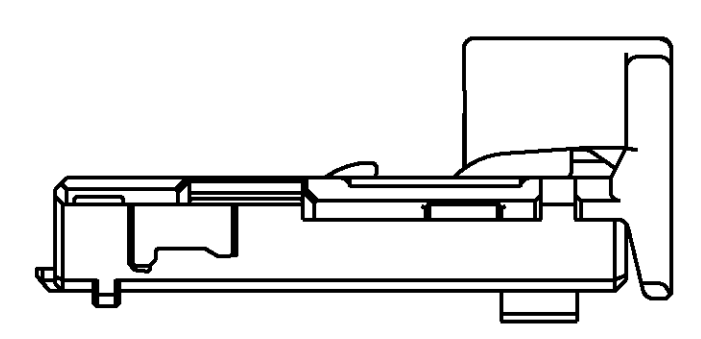
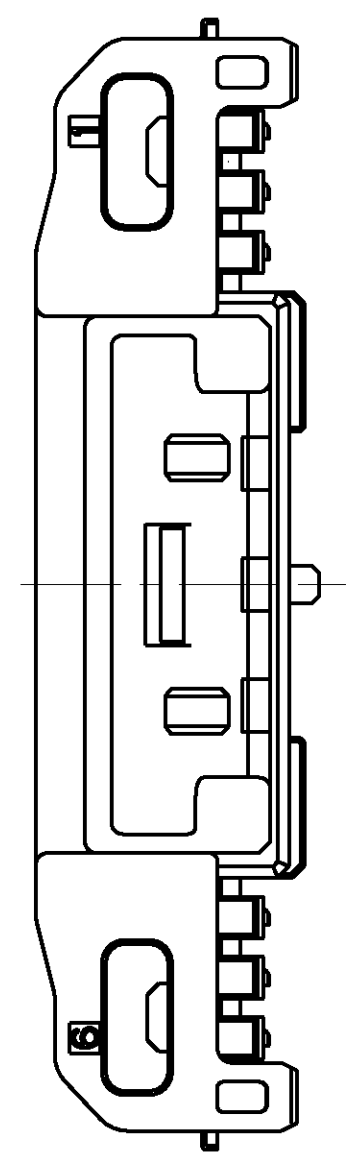
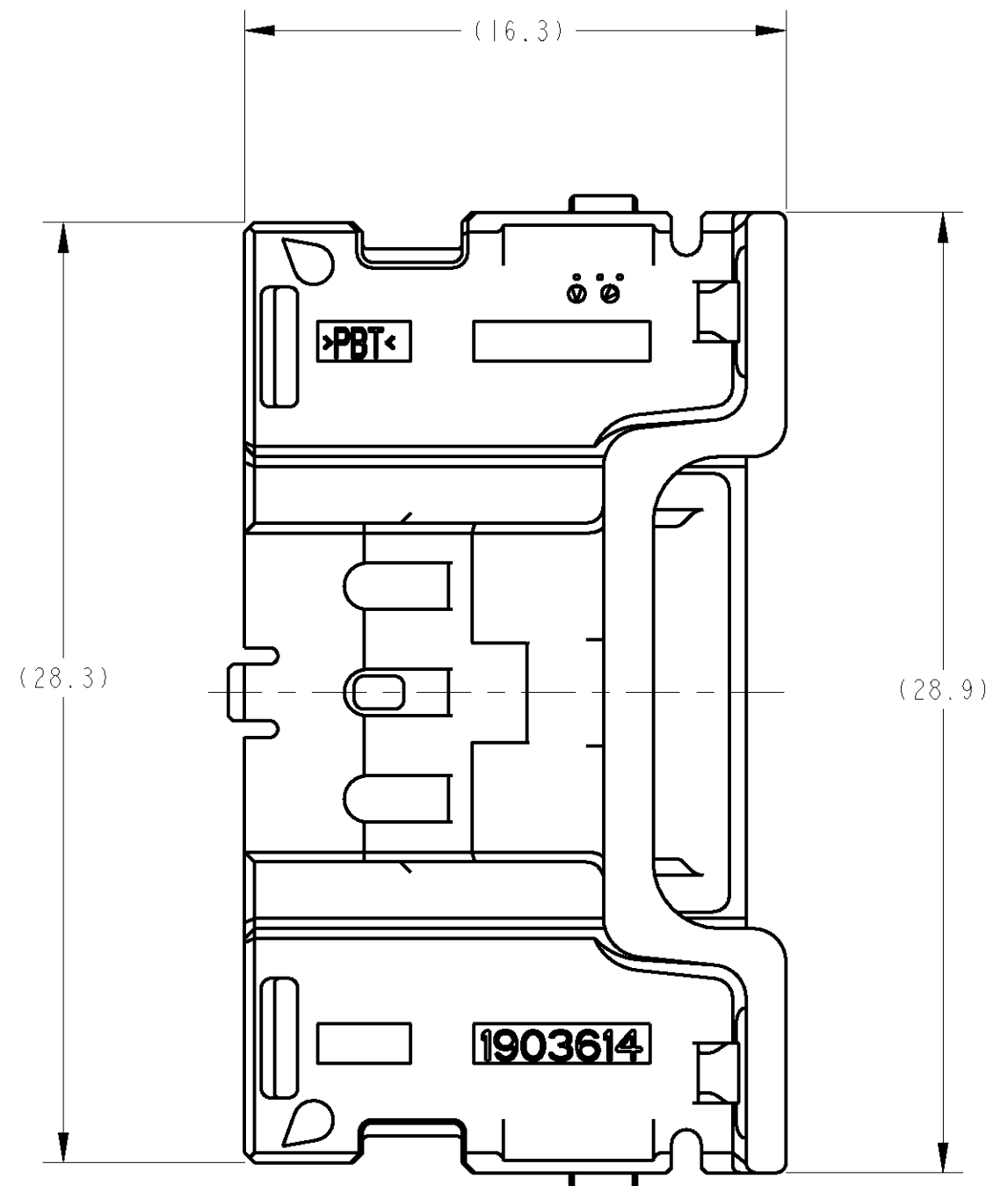
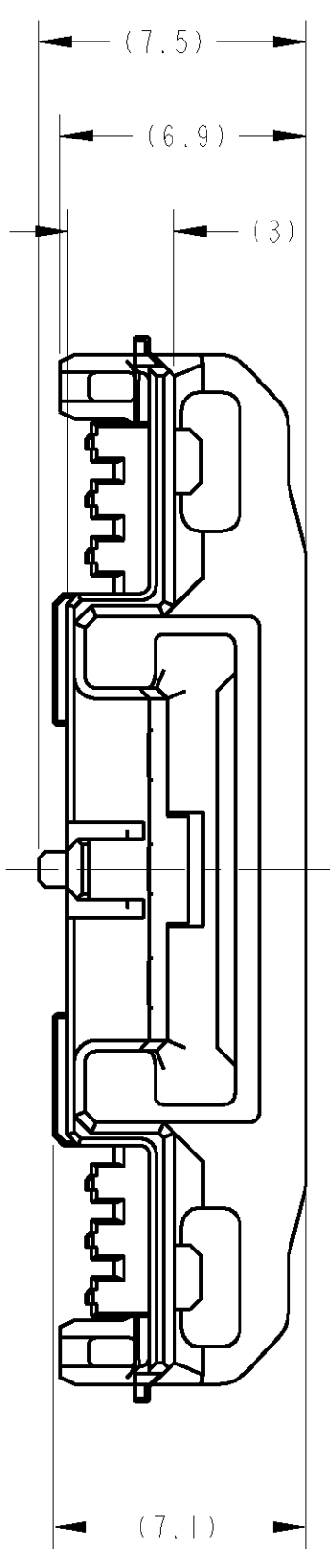
Tel: +86-755-8981 8866 Fax: +86-755-8427 6832

Email & Skype: info@chipsmall.com Web: www.chipsmall.com

Address: A1208, Overseas Decoration Building, #122 Zhenhua RD., Futian, Shenzhen, China



REV. LTR		DESCRIPTION	DATE	DWN	APVD
A		RELEASED	09DEC08	KK	HY



1. 本製品は、別冊のコンポーネントと組合せて使用する。
2. 取扱説明書 NO: 411-78268
3. 組合せ相手型番: 取扱説明書を参照のこと。
4. 嵌合相手代表型番: 取扱説明書を参照のこと。
5. 適用端子: TABLE-1 参照

1. THIS PRODUCT IS USED STACK WITH ANOTHER COMPONENTS.
2. HANDLING OF THIS PART SHOULD FOLLOW INSTRUCTION SHEET NO.411-78268.
3. COMPONENTS NUMBER OF STACKING;REFERENCE TO INSTRUCTION SHEET.
4. MATING CONNECTOR PART(TYPICAL);REFERENCE TO INSTRUCTION SHEET.
5. APPLIED TERMINAL;SEE TABLE-1

TABLE-1

	APPLIED TERMINAL P/N 適用端子 P/N	APPLICABLE WIRE RANGE 適用電線
SIGNAL 0.5	TIN 1827855-4	0.13~0.5mm ²
	TIN 1827855-1	
	GOLD 1903703-1	
	TIN 1827855-2	
	TIN 1827855-3	

PAPER BOX ダンボール箱	SOFT TRAY プラスチックトレイ	GRAY 1903614-3	BLACK 1903614-2	NATURAL 1903614-1
OUTER 外表	INNER 内装	COLOR	PART NO.	

DIMENSIONS: 公差: 許 mm		TOLERANCES UNLESS OTHERWISE SPECIFIED: 公差: 許 mm ±0.3		DWN R. KATO 09DEC08		Tyco Electronics Corporation Kawasaki, Japan	
FINISH 仕上		SEE TABLE		CHK R. KOMIYAMA 09DEC08		0.5 6 POSITION LOCK HOUSING STACKING TYPE	
MATERIAL P/N		PBT		APVD H. YAMAGAMI 09DEC08		SIZE CAGE CODE DRAWING NO A 00779 C-1903614	
WEIGHT		0.8 g		PRODUCT SPEC 108-78437		RESTRICTED TO	
CUSTOMER DRAWING				APPLICATION SPEC		SHEET 5-1 OF 1 REV A	