



Chipsmall Limited consists of a professional team with an average of over 10 year of expertise in the distribution of electronic components. Based in Hongkong, we have already established firm and mutual-benefit business relationships with customers from,Europe,America and south Asia,supplying obsolete and hard-to-find components to meet their specific needs.

With the principle of “Quality Parts,Customers Priority,Honest Operation,and Considerate Service”,our business mainly focus on the distribution of electronic components. Line cards we deal with include Microchip,ALPS,ROHM,Xilinx,Pulse,ON,Everlight and Freescale. Main products comprise IC,Modules,Potentiometer,IC Socket,Relay,Connector.Our parts cover such applications as commercial,industrial, and automotives areas.

We are looking forward to setting up business relationship with you and hope to provide you with the best service and solution. Let us make a better world for our industry!



Contact us

Tel: +86-755-8981 8866 Fax: +86-755-8427 6832

Email & Skype: info@chipsmall.com Web: www.chipsmall.com

Address: A1208, Overseas Decoration Building, #122 Zhenhua RD., Futian, Shenzhen, China

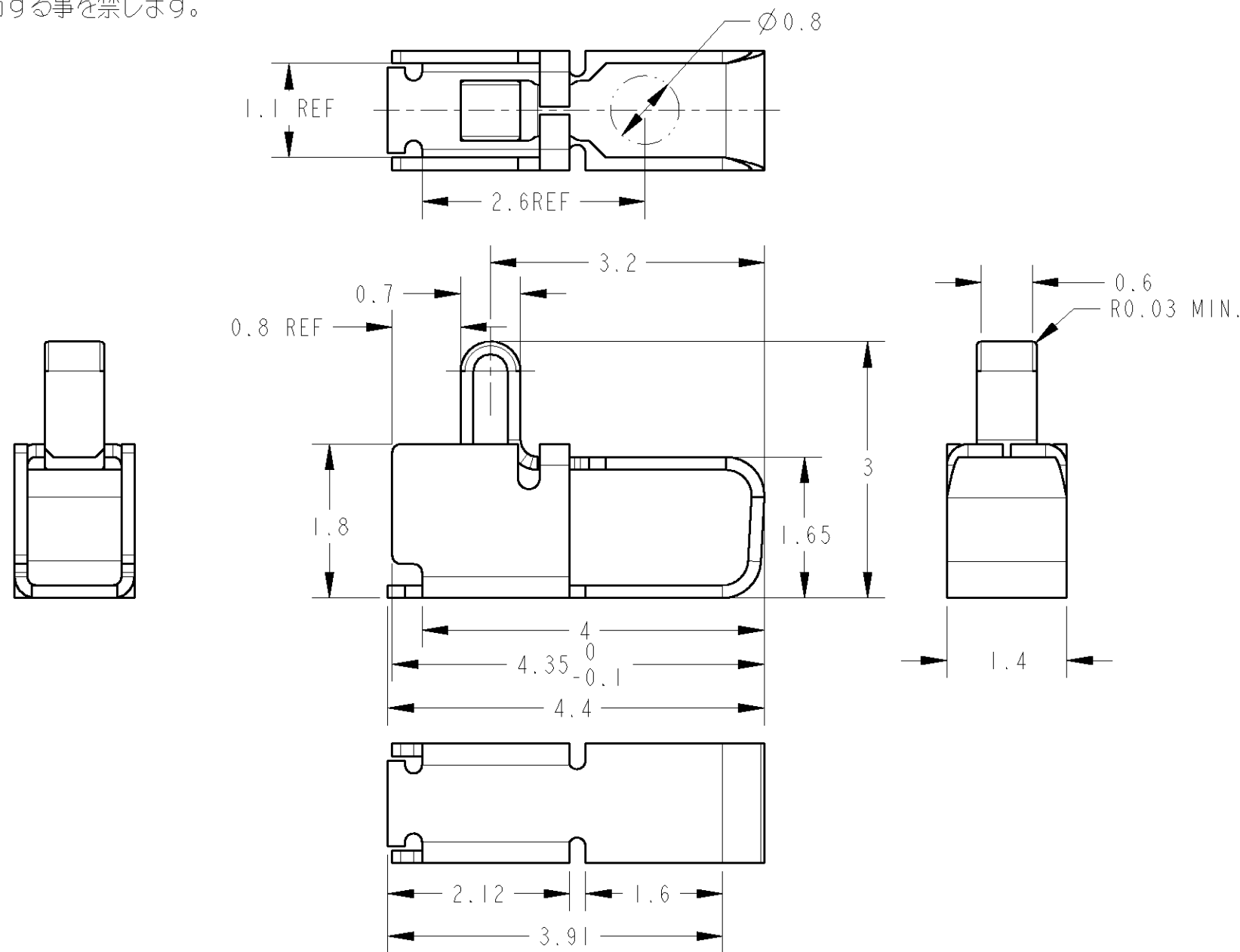


THIS DRAWING IS UNPUBLISHED. RELEASED FOR PUBLICATION 2006
 © COPYRIGHT 2006 BY TYCO ELECTRONICS CORPORATION. ALL RIGHTS RESERVED.

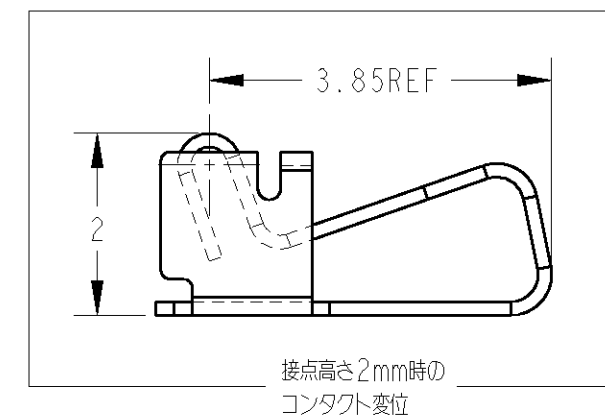
LOC	DIST	REVISIONS						
		P	LTR	DESCRIPTION	ECN	DATE	DWN	APVD
J	-		A2	REVISED		01FEB07	C.O	Y.N

本図面に記載された内容はタイコ エレクトロニクス アンパ(株)の所有する情報を開示しております。
 無断で複写・配布する事を禁じます。

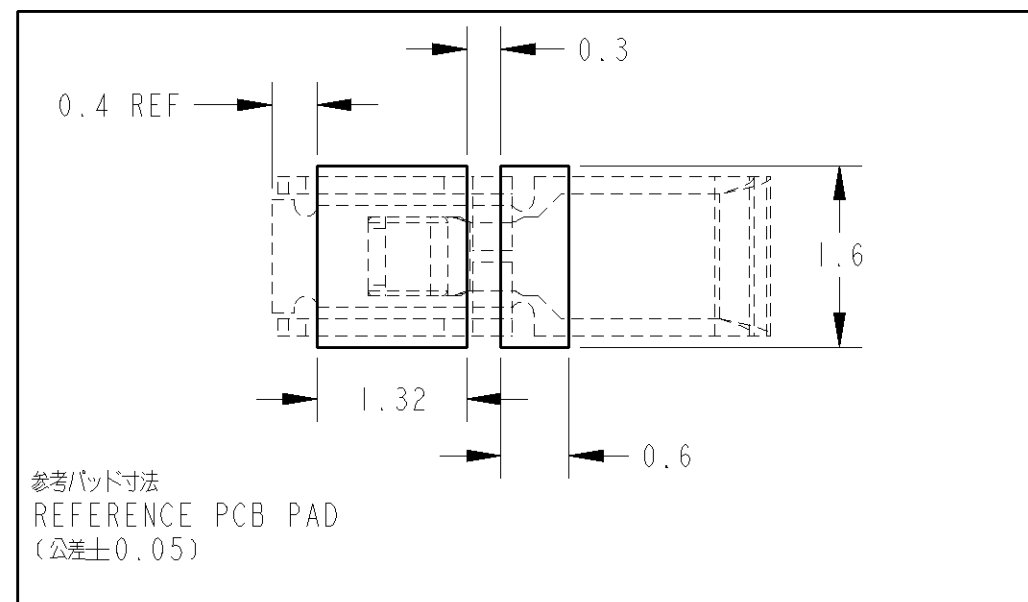
特許出願中



-1; 本図
 -1; AS SHOWN



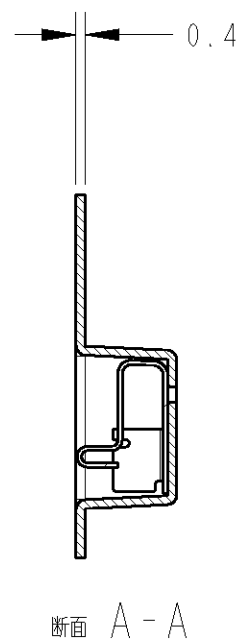
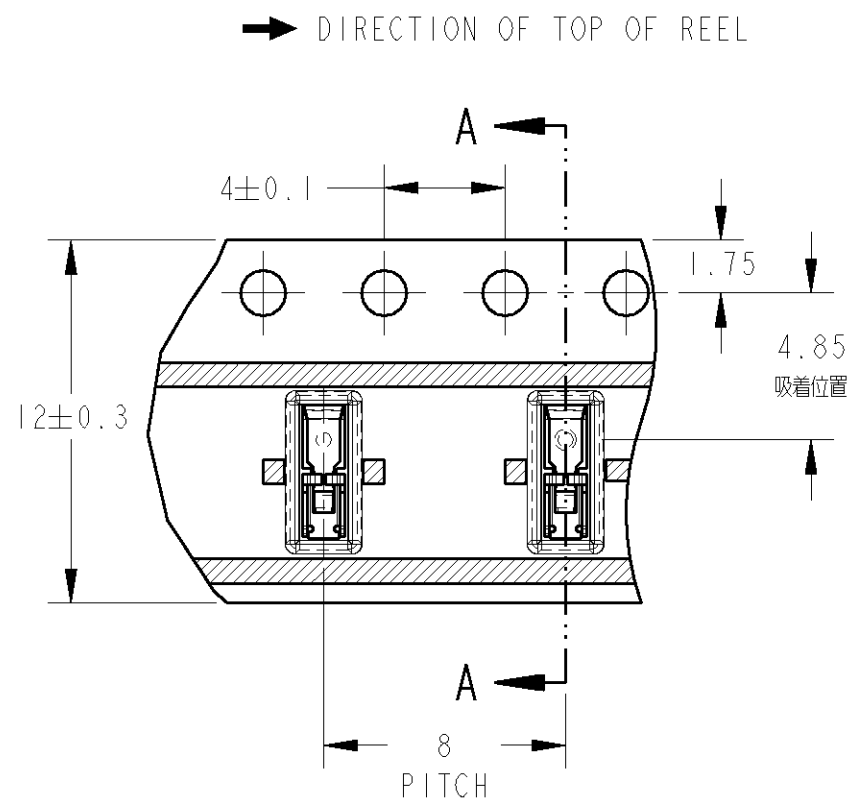
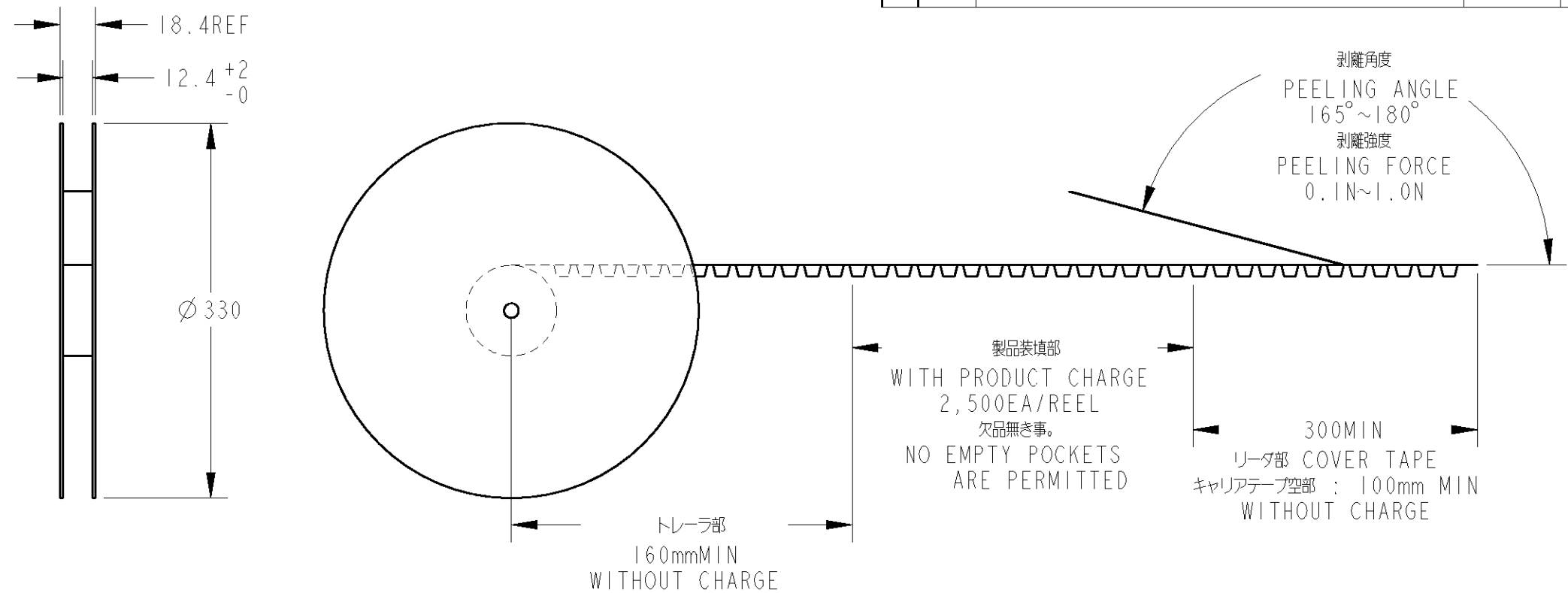
- ① めっき仕様
 全面Ni下地 : 0.8μm MIN
 コンタクトポイント : Au 0.25~0.5μm
 半田付けエリア : Au 0.05μm MIN
- 2. カットバリ : 0.05MAX
 その他 全周バリ : 0.03MAX
- ③ 材料: 銅合金
 4 0.5mmストローク時に0.7N±0.2N
 5 1.0mmストローク時に1.1N±0.2N



THIS DRAWING IS A CONTROLLED DOCUMENT FOR TYCO ELECTRONICS CORPORATION IT IS SUBJECT TO CHANGE AND THE CONTROLLING ENGINEERING ORGANIZATION SHOULD BE CONTACTED FOR THE LATEST REVISION.		DWN C. OHASHI 19APR2006	Tyco Electronics AMP K.K. Kawasaki, Japan	
DIMENSIONS: 単位: 殆 mm		CHK K. KODAIRA 19APR2006		
TOLERANCES UNLESS OTHERWISE SPECIFIED: 一般公差 ±0.2		APVD K. KODAIRA 19APR2006	NAME 名称 SHIELD FINGER 3014 LOW FORCE ANTI OVER STRESS TYPE EMBOSS PACKING	
0-PLC ± 1-PLC ±0.5 2-PLC ±0.13 3-PLC ±0.013 4-PLC ±0.0001 ANGLES ±		PRODUCT SPEC 製品規格 108-78364	SIZE 寸法 A3	
MATERIAL 材料 SEE NOTE		APPLICATION SPEC 取付適用規格 -	CAGE CODE 番号 00779	DRAWING NO 番号 C-1903646
FINISH 仕上 SEE NOTE		WEIGHT 0.01g	RESTRICTED TO -	
①		CUSTOMER DRAWING		SCALE 尺度 15:1
②		SHEET 1 OF 2		REV A2

THIS DRAWING IS UNPUBLISHED. RELEASED FOR PUBLICATION 2006
 © COPYRIGHT 2006 BY TYCO ELECTRONICS CORPORATION. ALL RIGHTS RESERVED.

LOC	DIST	REVISIONS			
P	LTR	DESCRIPTION	DATE	DWN	APVD
J	-	-	-	-	-
		SEE SHEET 1			



- 1 ; AS SHOWN
 - 1 ; 本図

<small>THIS DRAWING IS A CONTROLLED DOCUMENT FOR TYCO ELECTRONICS CORPORATION. IT IS SUBJECT TO CHANGE AND THE CONTROLLING ENGINEERING ORGANIZATION SHOULD BE CONTACTED FOR THE LATEST REVISION.</small>		DWN C. OHASHI 19APR2006 CHK K. KODAIRA 19APR2006 APVD K. KODAIRA 19APR2006		tyco Tyco Electronics AMP K.K. Electronics Kawasaki, Japan	
DIMENSIONS: mm 		TOLERANCES UNLESS OTHERWISE SPECIFIED: 0 PLC ±- 1 PLC ±0.5 2 PLC ±0.13 3 PLC ±0.013 4 PLC ±0.0001 ANGLES ±-		NAME SHIELD FINGER 3014 LOW FORCE ANTI OVER STRESS TYPE EMBOSS PACKING	
MATERIAL SEE NOTE		FINISH SEE NOTE		PRODUCT SPEC 108-78364 APPLICATION SPEC - WEIGHT 0.01g	
		CUSTOMER DRAWING		SIZE A3 CAGE CODE 00779 DRAWING NO C=1903646 RESTRICTED TO -	
				SCALE 15:1 SHEET 2 OF 2 REV A2	