



Chipsmall Limited consists of a professional team with an average of over 10 year of expertise in the distribution of electronic components. Based in Hongkong, we have already established firm and mutual-benefit business relationships with customers from,Europe,America and south Asia,supplying obsolete and hard-to-find components to meet their specific needs.

With the principle of “Quality Parts,Customers Priority,Honest Operation,and Considerate Service”,our business mainly focus on the distribution of electronic components. Line cards we deal with include Microchip,ALPS,ROHM,Xilinx,Pulse,ON,Everlight and Freescale. Main products comprise IC,Modules,Potentiometer,IC Socket,Relay,Connector.Our parts cover such applications as commercial,industrial, and automotives areas.

We are looking forward to setting up business relationship with you and hope to provide you with the best service and solution. Let us make a better world for our industry!



## Contact us

Tel: +86-755-8981 8866 Fax: +86-755-8427 6832

Email & Skype: info@chipsmall.com Web: www.chipsmall.com

Address: A1208, Overseas Decoration Building, #122 Zhenhua RD., Futian, Shenzhen, China



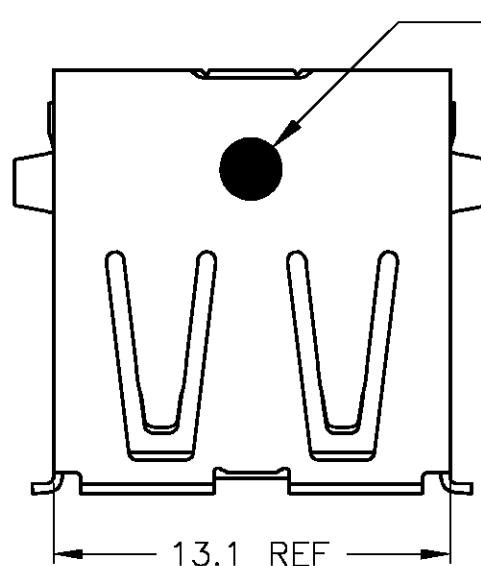
LOC	DIST	REVISIONS					
		P	LTR	DESCRIPTION	DATE	DWN	APVD
J	-	A1		REVISED PER ECO-11-005030	22MAR11	RK	HMR

NOTE

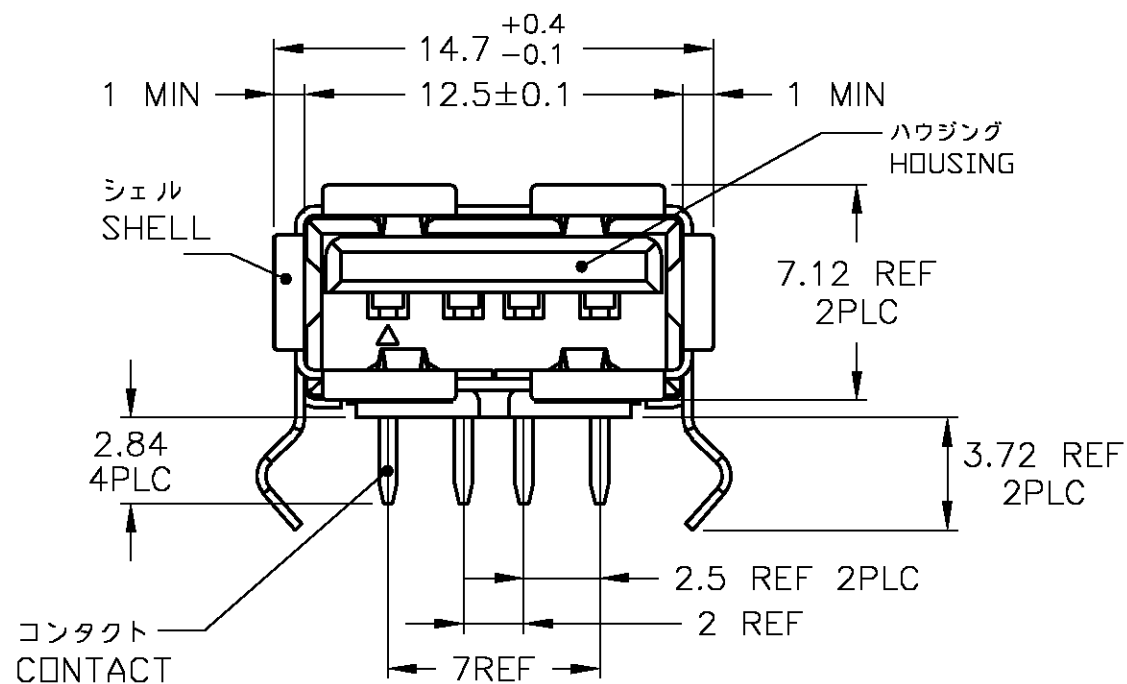
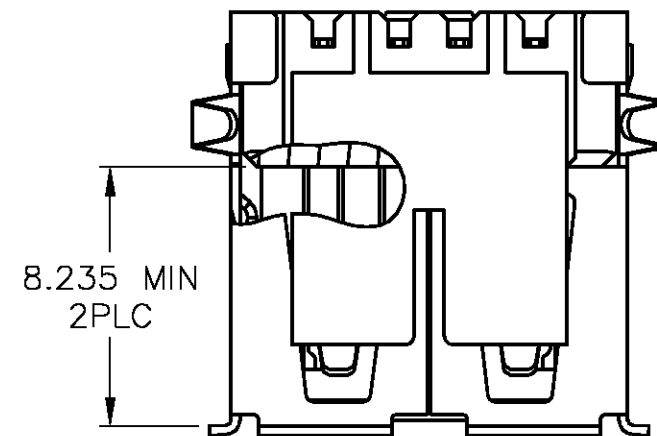
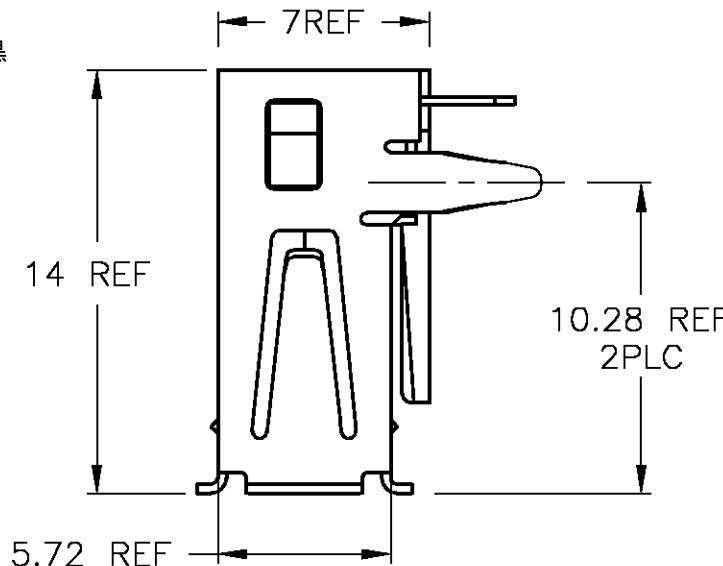
△ DATUM AND BASIC DIMENSION ESTABLISHED BY CUSTOMER.  
 △ MATERIAL HOUSING : POLYESTER OF GLASS FILLED THERMO PLASTIC(UL94V-0), COLOR : BLACK  
 CONTACT : COPPER ALLOY  
 SHELL : COPPER ALLOY

△ FINISH CONTACT UNDER : Ni PLATING ALL SURFACE 1.25 μm MIN  
 CONTACT AREA : Au PLATING 0.75 μm MIN  
 P.C.BOARD ATTACHMENT AREA : Tin-Cu PLATING 2.5 μm MIN  
 SHELL ALL SURFACE : BRIGHT Tin PLATING 2.5 μm MIN OVER Ni PLATING ALL SURFACE 1 μm MIN

-1:本図  
 -1:AS SHOWN



φ2 REF  
 ドットマーク 色:黒  
 DOT MARK  
 COLOR:BLACK

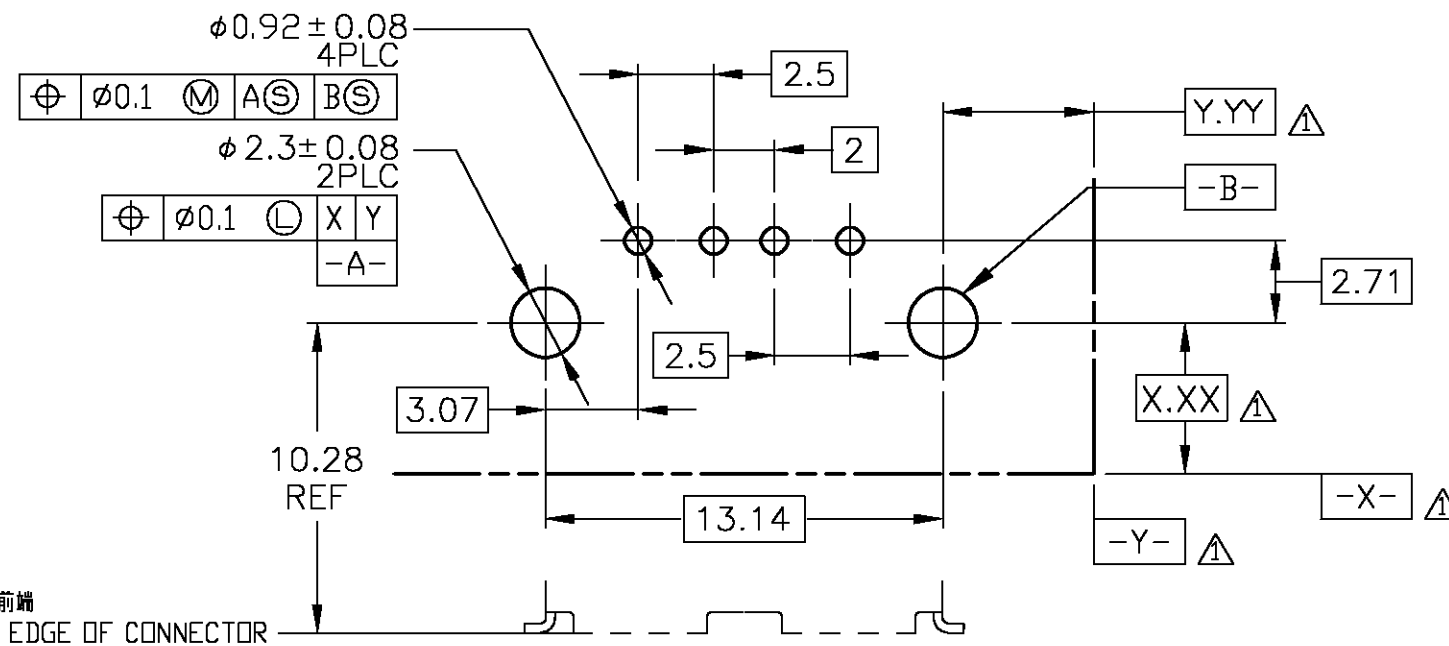


1 MIN  
 シェル SHELL

7.12 REF  
 2PLC

3.72 REF  
 2PLC


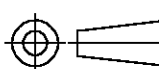
2.5 REF 2PLC  
 2 REF  
 コネクタ CONTACT



推奨基板取付穴寸法 推奨基板厚:1.57mm  
 RECOMMENDED PC BOARD HOLE PATTERN, PC BOARD THICKNESS:1.57mm

注記

△ 当該データと基準寸法はユーザーによって定められる  
 △ 材料 ハウジング: ガラス入り熱可塑性ポリエステル樹脂 UL94V-0 色:黒  
 コネクタ: 銅合金  
 シェル: 銅合金  
 △ 仕上げ コネクタ 全面: ニッケル下地めっき 1.25 μm以上  
 接触部: 金めっき 0.75 μm以上  
 基板取付部: 錫-銅めっき 2.5 μm以上  
 シェル 全面: ニッケル下地めっき 1 μm以上の上に 光沢錫めっき 2.5 μm以上

THIS DRAWING IS A CONTROLLED DOCUMENT.		DWN S.INOMATA 07SEP2007	 TE Connectivity			
DIMENSIONS: 単位: 概 mm		CHK I.HASEGAWA 07SEP2007				
TOLERANCES UNLESS OTHERWISE SPECIFIED: 一般公差 ±0.25		APVD I.HASEGAWA 07SEP2007	NAME 名称			
		PRODUCT SPEC 製品規格 108-78498	INDUSTRIAL USB REC ASSY R/A 1ROW			
MATERIAL 材料		APPLICATION SPEC 取付適用規格	SIZE A3	CAGE CODE 000779	DRAWING NO 番号 C-1903814	RESTRICTED TO
FINISH 仕上		WEIGHT 1.80	SCALE 尺度 4:1		SHEET 1 OF 1	REV A1
		CUSTOMER DRAWING				