



Chipsmall Limited consists of a professional team with an average of over 10 year of expertise in the distribution of electronic components. Based in Hongkong, we have already established firm and mutual-benefit business relationships with customers from,Europe,America and south Asia,supplying obsolete and hard-to-find components to meet their specific needs.

With the principle of “Quality Parts,Customers Priority,Honest Operation,and Considerate Service”,our business mainly focus on the distribution of electronic components. Line cards we deal with include Microchip,ALPS,ROHM,Xilinx,Pulse,ON,Everlight and Freescale. Main products comprise IC,Modules,Potentiometer,IC Socket,Relay,Connector.Our parts cover such applications as commercial,industrial, and automotives areas.

We are looking forward to setting up business relationship with you and hope to provide you with the best service and solution. Let us make a better world for our industry!



## Contact us

Tel: +86-755-8981 8866 Fax: +86-755-8427 6832

Email & Skype: info@chipsmall.com Web: www.chipsmall.com

Address: A1208, Overseas Decoration Building, #122 Zhenhua RD., Futian, Shenzhen, China

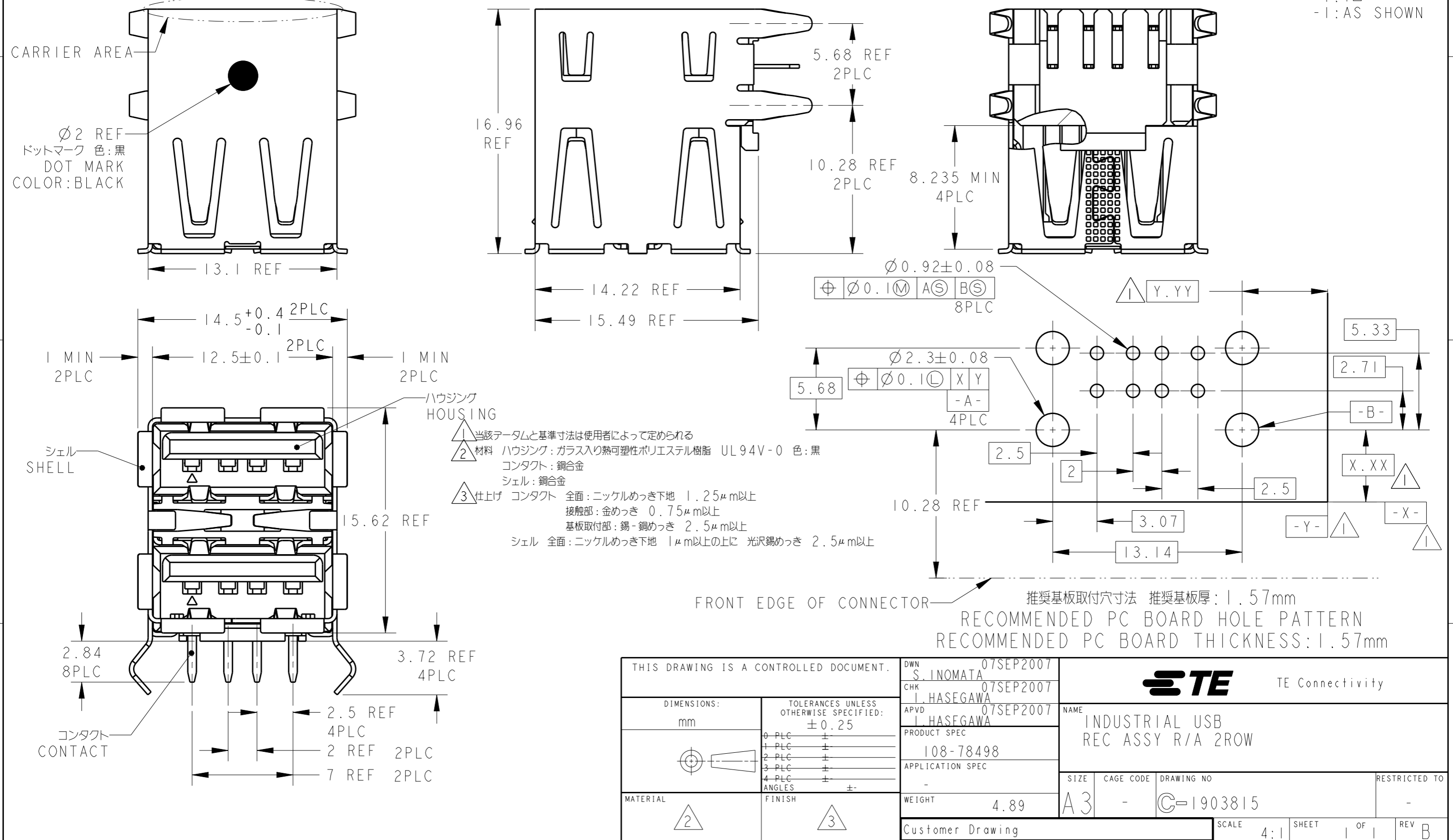


THIS DRAWING IS UNPUBLISHED. RELEASED FOR PUBLICATION 20  
 © COPYRIGHT 20 BY - ALL RIGHTS RESERVED.

REVISIONS					
P	LTR	DESCRIPTION	DATE	DWN	APVD
	B	REVISED	10APR2015	T.S	N.Y

- 1 DATUM AND BASIC DIMENSION ESTABLISHED BY CUSTOMER.
- 2 MATERIAL HOUSING: POLYESTER OF GLASS FILLED THERMO PLASTIC (UL94V-0), COLOR: BLACK  
CONTACT: COPPER ALLOY  
SHELL: COPPER ALLOY
- 3 FINISH CONTACT UNDER: Ni PLATING ALL SURFACE 1.25μm MIN  
CONTACT AREA: Au PLATING 0.75μm MIN  
P.C. BOARD ATTACHMENT AREA: Tin-Cu PLATING 2.5μm MIN  
SHELL ALL SURFACE: BRIGHT Tin PLATING 2.5μm MIN OVER Ni PLATING ALL SURFACE 1μm MIN

- I : 本図  
- I : AS SHOWN



- 1 当該アータムと基準寸法は使用者によって定められる
- 2 材料 ハウジング: ガラス入り熱可塑性ポリエステル樹脂 UL94V-0 色: 黒  
コンタクト: 銅合金  
シェル: 銅合金
- 3 仕上げ コンタクト 全面: ニッケルめっき下地 1.25μm以上  
接触部: 金めっき 0.75μm以上  
基板取付部: 錫-銅めっき 2.5μm以上  
シェル 全面: ニッケルめっき下地 1μm以上の上に 光沢錫めっき 2.5μm以上

THIS DRAWING IS A CONTROLLED DOCUMENT.		DWN 07SEP2007 S. INOMATA	<b>TE Connectivity</b>	
DIMENSIONS: mm		CHK 07SEP2007 I. HASEGAWA		
TOLERANCES UNLESS OTHERWISE SPECIFIED: ±0.25		APVD 07SEP2007 I. HASEGAWA	NAME INDUSTRIAL USB REC ASSY R/A 2ROW	
0 PLC ± 1 PLC ± 2 PLC ± 3 PLC ± 4 PLC ± ANGLES ±		PRODUCT SPEC 108-78498	SIZE A3 CAGE CODE - DRAWING NO C-1903815 RESTRICTED TO -	
MATERIAL 2		FINISH 3	WEIGHT 4.89	
		Customer Drawing		SCALE 4:1 SHEET 1 OF 1 REV B