



Chipsmall Limited consists of a professional team with an average of over 10 year of expertise in the distribution of electronic components. Based in Hongkong, we have already established firm and mutual-benefit business relationships with customers from,Europe,America and south Asia,supplying obsolete and hard-to-find components to meet their specific needs.

With the principle of “Quality Parts,Customers Priority,Honest Operation,and Considerate Service”,our business mainly focus on the distribution of electronic components. Line cards we deal with include Microchip,ALPS,ROHM,Xilinx,Pulse,ON,Everlight and Freescale. Main products comprise IC,Modules,Potentiometer,IC Socket,Relay,Connector.Our parts cover such applications as commercial,industrial, and automotives areas.

We are looking forward to setting up business relationship with you and hope to provide you with the best service and solution. Let us make a better world for our industry!



Contact us

Tel: +86-755-8981 8866 Fax: +86-755-8427 6832

Email & Skype: info@chipsmall.com Web: www.chipsmall.com

Address: A1208, Overseas Decoration Building, #122 Zhenhua RD., Futian, Shenzhen, China



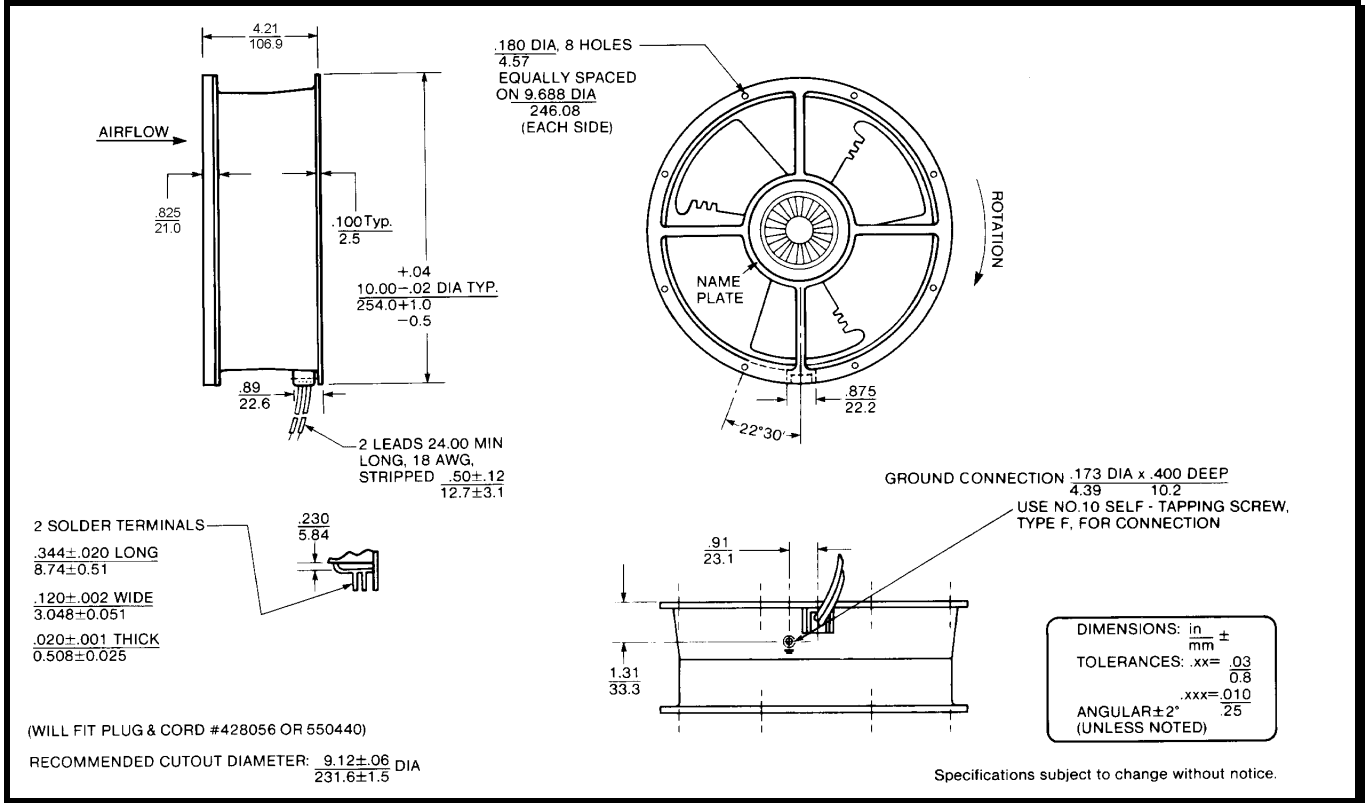
SPECIFICATIONS



Model Number: CLE2T5
Part Number: 19039202A

June 13, 2016

Mechanical Drawing:



Motor:

Nominal Voltage	= 115 VAC
Frequency	= 60 Hz
Nominal Running Current	= 1.30 amps
Max. Locked Rotor Current	= 2.50 amps
Running Power	= 115 watts
Average Speed	= 2400 RPM
Bearings	= Ball
Max. Airflow	= 868 CFM
Max. Static Pressure	= 0.487 in H ₂ O
Acoustic	= 60.0 dBA

Construction:

Venturi: Aluminum, Black.
 Propeller: Plastic, Black, UL 94V-0

Life Expectancy:

This fan is designed for continuous duty life of 54,000 hours at 40°C.

Additional Features:

Permanent Split Capacitor Motor
 Automatic Reset Thermal Protector
 Automatic Restart Capability
 Operating Temperature: -10°C to 70°C
 Storage Temperature: -40°C to 85°C

Termination:

2 Solder Terminals

Agency Approvals:

UL, CE