



Chipsmall Limited consists of a professional team with an average of over 10 year of expertise in the distribution of electronic components. Based in Hongkong, we have already established firm and mutual-benefit business relationships with customers from,Europe,America and south Asia,supplying obsolete and hard-to-find components to meet their specific needs.

With the principle of “Quality Parts,Customers Priority,Honest Operation,and Considerate Service”,our business mainly focus on the distribution of electronic components. Line cards we deal with include Microchip,ALPS,ROHM,Xilinx,Pulse,ON,Everlight and Freescale. Main products comprise IC,Modules,Potentiometer,IC Socket,Relay,Connector.Our parts cover such applications as commercial,industrial, and automotives areas.

We are looking forward to setting up business relationship with you and hope to provide you with the best service and solution. Let us make a better world for our industry!



Contact us

Tel: +86-755-8981 8866 Fax: +86-755-8427 6832

Email & Skype: info@chipsmall.com Web: www.chipsmall.com

Address: A1208, Overseas Decoration Building, #122 Zhenhua RD., Futian, Shenzhen, China



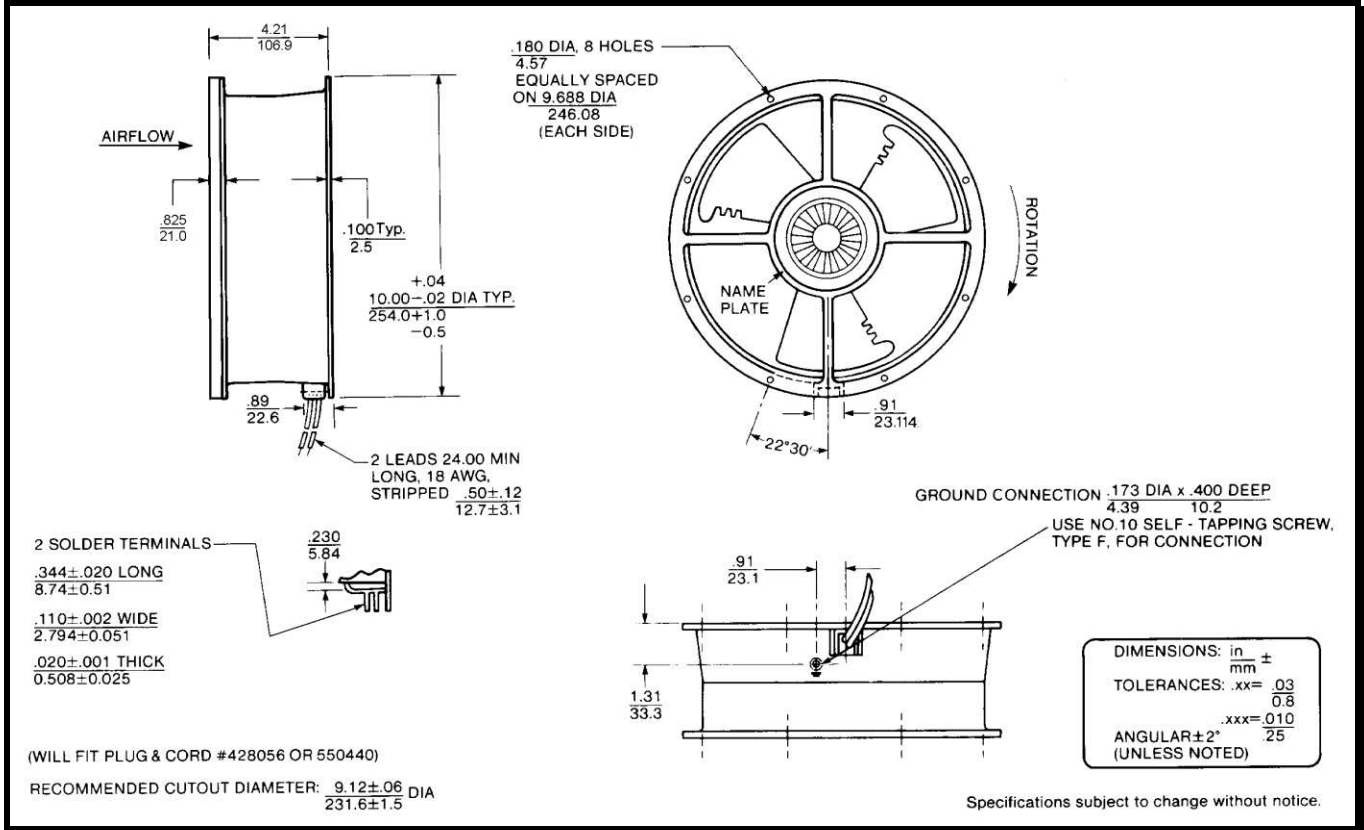
SPECIFICATIONS



Model Number: CLE3L5
Part Number: 19039306A

Rev: 02
Aug 07, 2018

Mechanical Drawing:



Motor:

Nominal Voltage	= 220/230 VAC
Frequency	= 50/60 Hz
Nominal Running Current	= 0.44/0.57 amps
Max. Locked Rotor Current	= 1.00 amps
Running Power	= 98/135 watts
Average Speed	= 2650/2800 RPM
Bearings	= Ball
Max. Airflow	= 878/950 CFM
Max. Static Pressure	= 0.50/0.57 inch H ₂ O
Acoustic	= 62.1/63.3 dBA

Construction:

Venturi: Aluminum, Black.
 Propeller: Plastic, Black, UL 94V-0

Life Expectancy:

This fan is designed for continuous duty life of 45,000 hours at 60°C.

Additional Features:

- Permanent Split Capacitor Motor
- Automatic Reset Thermal Protector
- Automatic Restart Capability
- Operating Temperature: -10°C to 70°C
- Storage Temperature: -40°C to 85°C

Termination:

24" Lead wires, 18 AWG, UL 1015

Agency Approvals:

UL, CUL, CE

PQ Curve:

