



Chipsmall Limited consists of a professional team with an average of over 10 year of expertise in the distribution of electronic components. Based in Hongkong, we have already established firm and mutual-benefit business relationships with customers from,Europe,America and south Asia,supplying obsolete and hard-to-find components to meet their specific needs.

With the principle of “Quality Parts,Customers Priority,Honest Operation,and Considerate Service”,our business mainly focus on the distribution of electronic components. Line cards we deal with include Microchip,ALPS,ROHM,Xilinx,Pulse,ON,Everlight and Freescale. Main products comprise IC,Modules,Potentiometer,IC Socket,Relay,Connector.Our parts cover such applications as commercial,industrial, and automotives areas.

We are looking forward to setting up business relationship with you and hope to provide you with the best service and solution. Let us make a better world for our industry!



Contact us

Tel: +86-755-8981 8866 Fax: +86-755-8427 6832

Email & Skype: info@chipsmall.com Web: www.chipsmall.com

Address: A1208, Overseas Decoration Building, #122 Zhenhua RD., Futian, Shenzhen, China



SPECIFICATIONS

RoHS Compliant



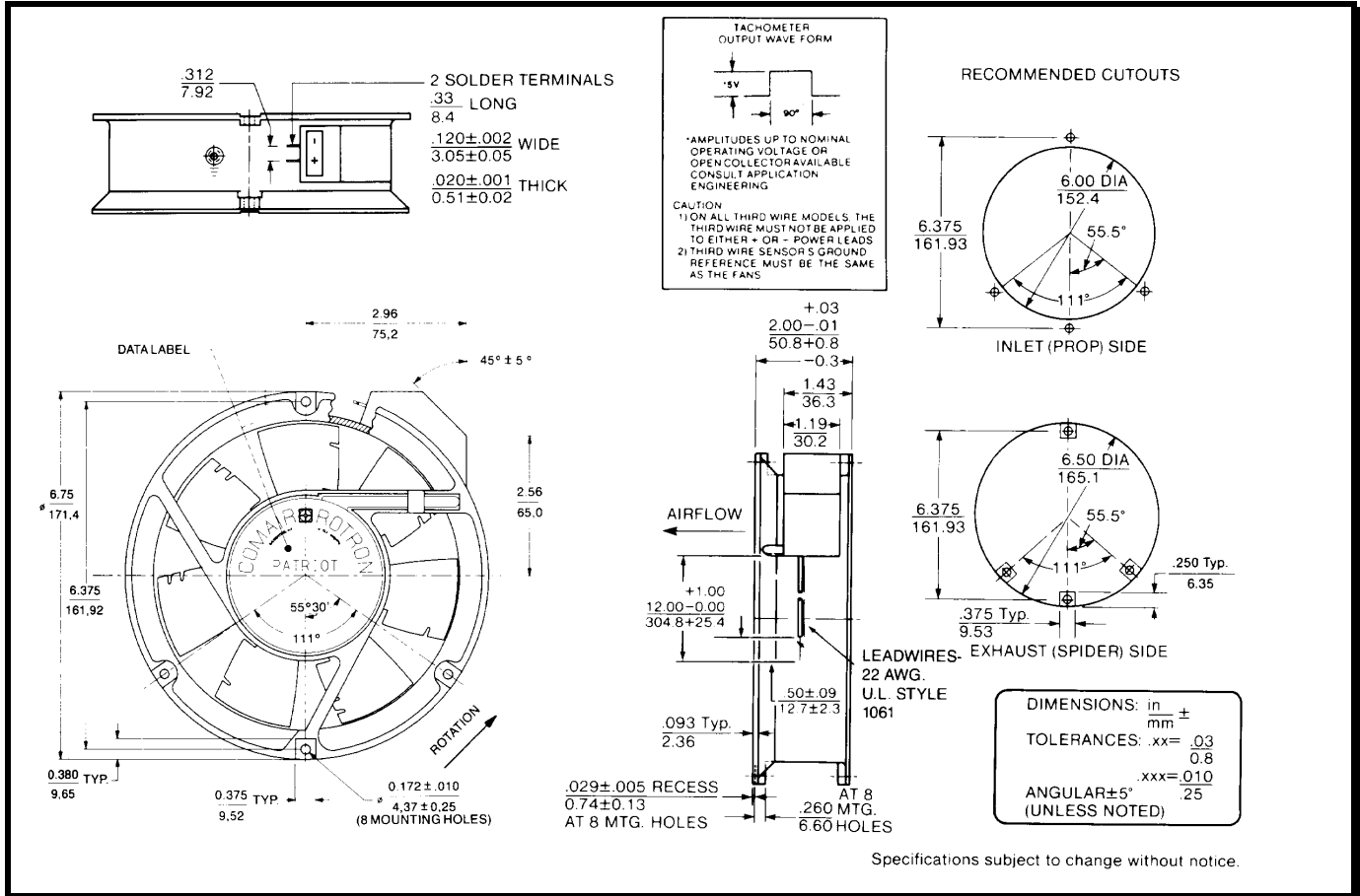
Model Number: PQ12B4QNN

Part Number: 039355

SPEC Number: 26013423A

Nov.2.2011

Mechanical Drawing:



Motor:

Nominal Voltage	= 12 Vdc
Operating Voltage Range	= 9 – 14 Vdc
Nominal Running Current	= 2.22 Amps
Locked Rotor Current	= 3.50 Amps
Running Power	= 26.3 Watts
Average Speed	= 3500 RPM
Bearings	= Ball
Air Flow	= 235 CFM
Acoustic	= 51.2 dBA

Construction:

Venturi: Single piece, die-cast aluminum, painted black
Propeller: Polycarbonate, painted black

Life Expectancy:

This fan is designed for continuous duty life of 75,000 hours at 40°C

Agencies:

UL,CE

Additional Features:

Polarity Protected
Locked Rotor Protection
Automatic Restart Capability
Operating Temperature Range: -10°C to +70°C
Storage Temperature Range: -40°C to +85°C

Fan Performance Sensor:

Output: Open Collector
I_c: 20 mA Max.
V_{ce}: 28 Vdc Max.
Logic: High on Pass, Low on Fail
Isolated: Yes
Delay: No
Latching: No

Termination:

Fan Power – 2 Blade Terminals
Alarm - 12" Lead Wires, 22 AWG, UL1061
Alarm Power – Red/White
Alarm Signal – Blue/White
Alarm Return – Black/White