



Chipsmall Limited consists of a professional team with an average of over 10 year of expertise in the distribution of electronic components. Based in Hongkong, we have already established firm and mutual-benefit business relationships with customers from,Europe,America and south Asia,supplying obsolete and hard-to-find components to meet their specific needs.

With the principle of "Quality Parts,Customers Priority,Honest Operation,and Considerate Service",our business mainly focus on the distribution of electronic components. Line cards we deal with include Microchip,ALPS,ROHM,Xilinx,Pulse,ON,Everlight and Freescale. Main products comprise IC,Modules,Potentiometer,IC Socket,Relay,Connector.Our parts cover such applications as commercial,industrial, and automotives areas.

We are looking forward to setting up business relationship with you and hope to provide you with the best service and solution. Let us make a better world for our industry!



Contact us

Tel: +86-755-8981 8866 Fax: +86-755-8427 6832

Email & Skype: info@chipsmall.com Web: www.chipsmall.com

Address: A1208, Overseas Decoration Building, #122 Zhenhua RD., Futian, Shenzhen, China



SPECIFICATIONS

(RoHS Compliant)

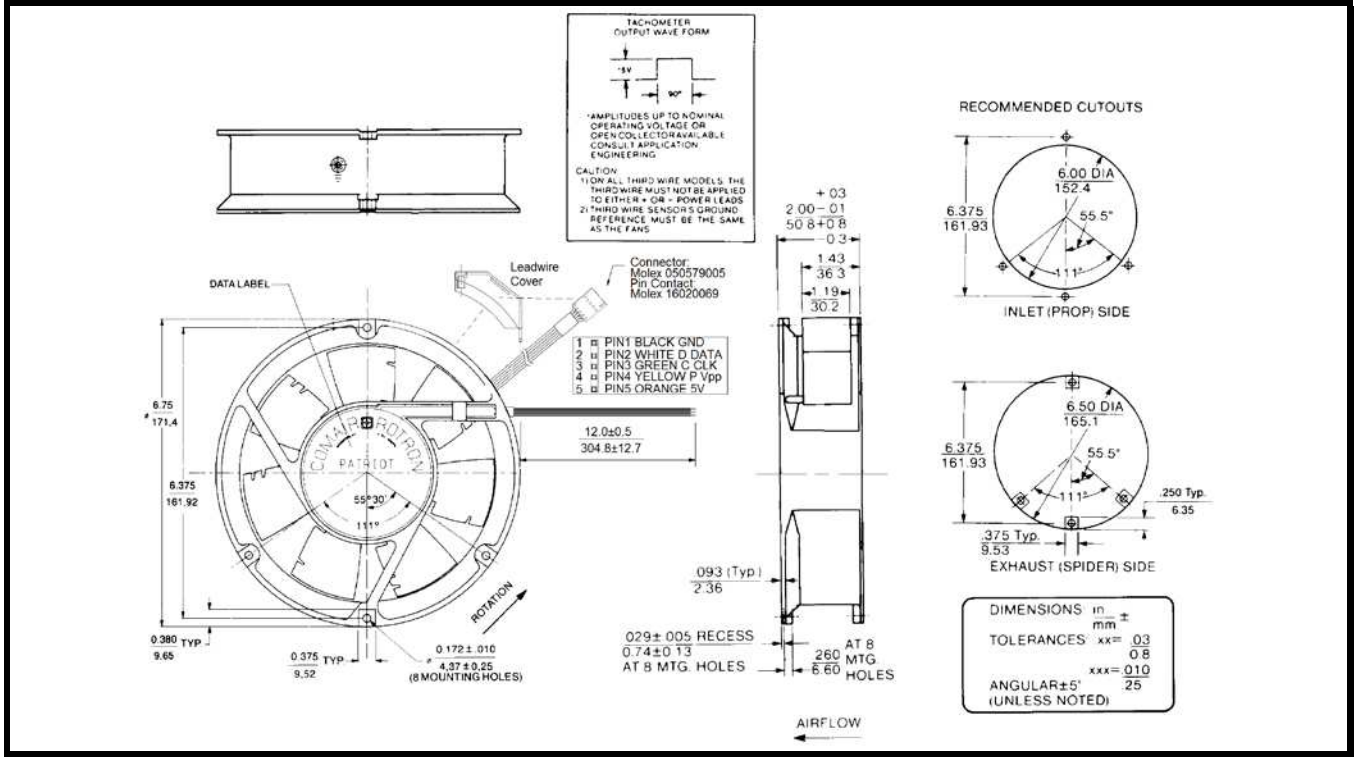


Model Number: PQD48Z3A2

Part Number: 19039696A

March 08, 2016

Mechanical Drawing:



Motor:

Nominal Voltage	= 48 vdc
Operating Voltage Range	= 24 – 72 vdc
Nominal Running Current	= .720 amps
Locked Rotor Current	= 1.250 amps
Running Power	= 35 watts
Average Speed	= 4450 rpm
Bearings	= Ball
Air Flow	= 300 CFM
Static Pressure	= 1.30" of Water
Acoustic	= 60.2 dBA

Construction:

Venturi: Die-Cast Aluminum, Black
Propeller: Polycarbonate, Black, UL 94V-0

Agency Approvals:

UL, cUL, CE, UL 507

Life Expectancy:

This fan is designed for continuous duty life of 50,000 hours at 40°C.

Additional Features:

Brushless DC Motor	
Soft Start Inrush Current	
Electronic Locked Rotor Protection	
Polarity Protected	
Automatic Restart Capability	
Operating Temperature:	-40°C to 85°C
Storage Temperature:	-40°C to 85°C
Programmable:	PWM Input, 5 volt TTL
0% Duty:	Off
100% Duty:	4450 RPM

Tachometer Specifications:

Output:	5 volt TTL compatible
Ic:	5 mA. Typ.
Pulses per Revolution:	2
Isolated:	No

Termination:

12" Leadwires, 22 AWG, UL 1061
Red - Power (+) Blue/White - Tachometer
Black - Return (-) Yellow - Program Lead
2" Programmable harness,
Connector, Molex 050579005
Pin Contact, Moelx 16020069

PQ Curve:

