



Chipsmall Limited consists of a professional team with an average of over 10 year of expertise in the distribution of electronic components. Based in Hongkong, we have already established firm and mutual-benefit business relationships with customers from,Europe,America and south Asia,supplying obsolete and hard-to-find components to meet their specific needs.

With the principle of “Quality Parts,Customers Priority,Honest Operation,and Considerate Service”,our business mainly focus on the distribution of electronic components. Line cards we deal with include Microchip,ALPS,ROHM,Xilinx,Pulse,ON,Everlight and Freescale. Main products comprise IC,Modules,Potentiometer,IC Socket,Relay,Connector.Our parts cover such applications as commercial,industrial, and automotives areas.

We are looking forward to setting up business relationship with you and hope to provide you with the best service and solution. Let us make a better world for our industry!



Contact us

Tel: +86-755-8981 8866 Fax: +86-755-8427 6832

Email & Skype: info@chipsmall.com Web: www.chipsmall.com

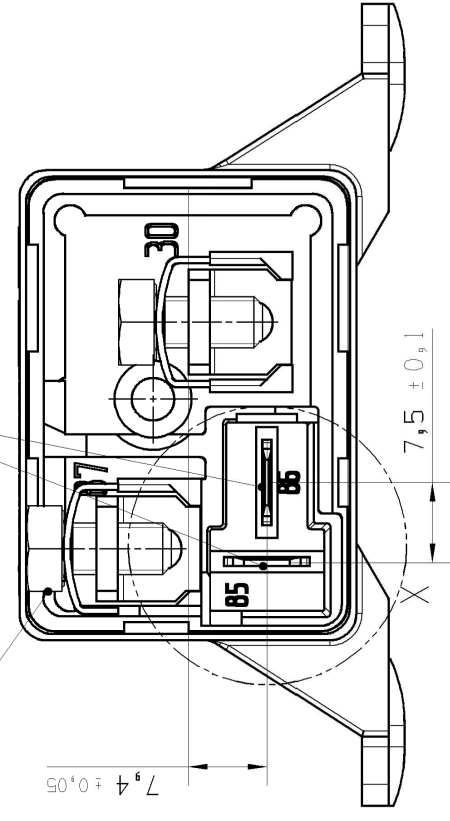
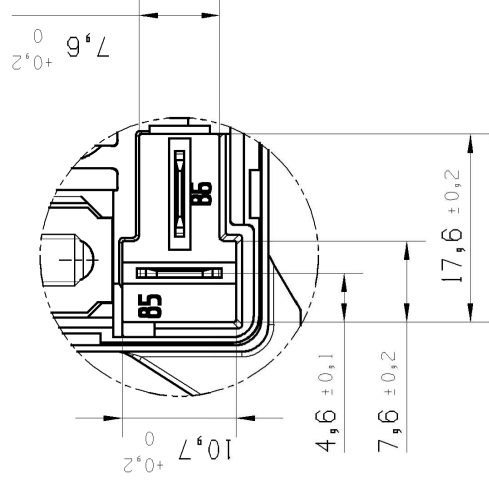
Address: A1208, Overseas Decoration Building, #122 Zhenhua RD., Futian, Shenzhen, China



SCREW CONNECTORS M5
 $M_A \leq 2,8 \text{ Nm}$

BLADE TERMINALS DIN46244-A6,3-0,8-MS

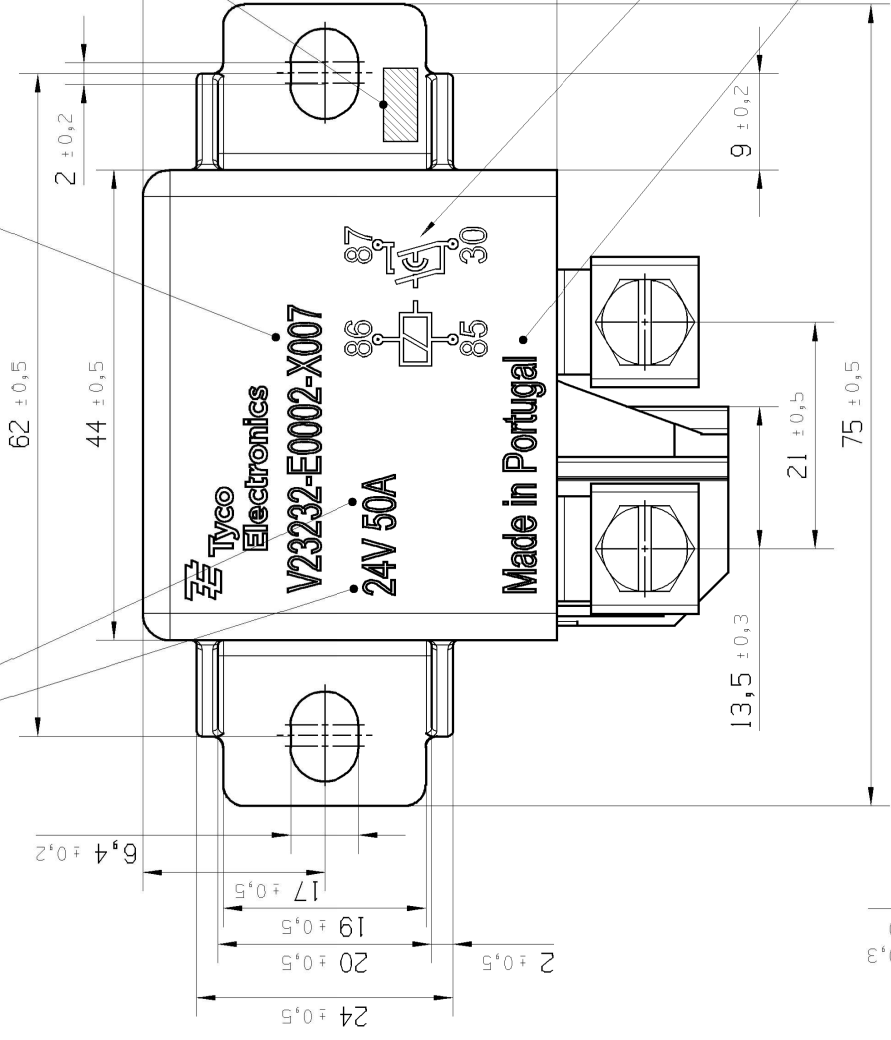
DETAIL X
 SCALE 2:1



NOM. LOADING
 NOM. VOLTAGE

DATE OF MANUFACTURE
 OPTIONAL ON
 COVER OR BASE

PART NO.

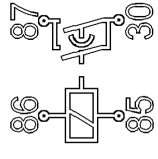


1) Slotted hexagon head screws according DIN 933SZ; ISO 4017
 WE RESERVE THE RIGHT TO MAKE ALTERATIONS IN DESIGNATIONS

DEGREE OF PROTECTION GROUP ACC. IEC. = DIN 40 050 JEIL 9
 TERMINALS : IP00
 HOUSING : IP54

MATERIAL: BASE
 PA 6.6 GF 30±10 [%]
 COVER
 PA 6.6 GF 30±10 [%]

WIRING DIAGRAM



TORQUE FOR SREW
 $M_A \leq 5,5 \text{ Nm}$

BOSCH P/N	TE	P/N	P/N STATUS	PART NUMBER
0 332 002 250	0-1904002-2	Active		V23232-E0002-X007
	1-1904002-2	Obsolete		
	2-1904002-2	Obsolete		

PROPRIETARY THE REPRODUCTION, TRANSMISSION OR USE OF THIS DOCUMENT OR IT'S CONTENTS IS NOT PERMITTED WITHOUT EXPRESSED WRITTEN AUTHORITY. OFFENDERS WILL BE LIABLE FOR ALL DAMAGES. ALL RIGHTS, INCLUDING RIGHTS CREATED BY REGISTERED PATENT(S) GRANTED FOR A UTILITY MODEL OR DESIGN, ARE RESERVED.		CHANGES TO THIS DRAWING MUST BE DONE ONLY IN CAD	PAPER SIZE A2
APPLICABLE SPEC. 1		FINISH	DIMENSIONS APPLY 2:1
TOLERANCE UNLESS SPECIFIED OTHERWISE		DIMENSIONS IN MM	SCALE 2:1
DATE DWN., 02Nov2006 APP.		NAME Infante	PLATING WEIGHT APP. 85g
DATE 07Jun2016 APP.		NAME FS	
DATE 21Jun2011 APP.		NAME L.Bar	
DATE 21Jun2010 APP.		NAME L.Bar	
DATE 18Dec2007 APP.		NAME CFR	
DATE 01Nov2007 APP.		NAME Inf	

CLASS 3		CUSTOMER DRAWING	
V23232-E0002-X007		POWER RELAY 24V 50A	
SHIT. 1		OF 1	