



Chipsmall Limited consists of a professional team with an average of over 10 year of expertise in the distribution of electronic components. Based in Hongkong, we have already established firm and mutual-benefit business relationships with customers from,Europe,America and south Asia,supplying obsolete and hard-to-find components to meet their specific needs.

With the principle of “Quality Parts,Customers Priority,Honest Operation,and Considerate Service”,our business mainly focus on the distribution of electronic components. Line cards we deal with include Microchip,ALPS,ROHM,Xilinx,Pulse,ON,Everlight and Freescale. Main products comprise IC,Modules,Potentiometer,IC Socket,Relay,Connector.Our parts cover such applications as commercial,industrial, and automotives areas.

We are looking forward to setting up business relationship with you and hope to provide you with the best service and solution. Let us make a better world for our industry!



Contact us

Tel: +86-755-8981 8866 Fax: +86-755-8427 6832

Email & Skype: info@chipsmall.com Web: www.chipsmall.com

Address: A1208, Overseas Decoration Building, #122 Zhenhua RD., Futian, Shenzhen, China



SPECIFICATIONS

(RoHS Compliant)



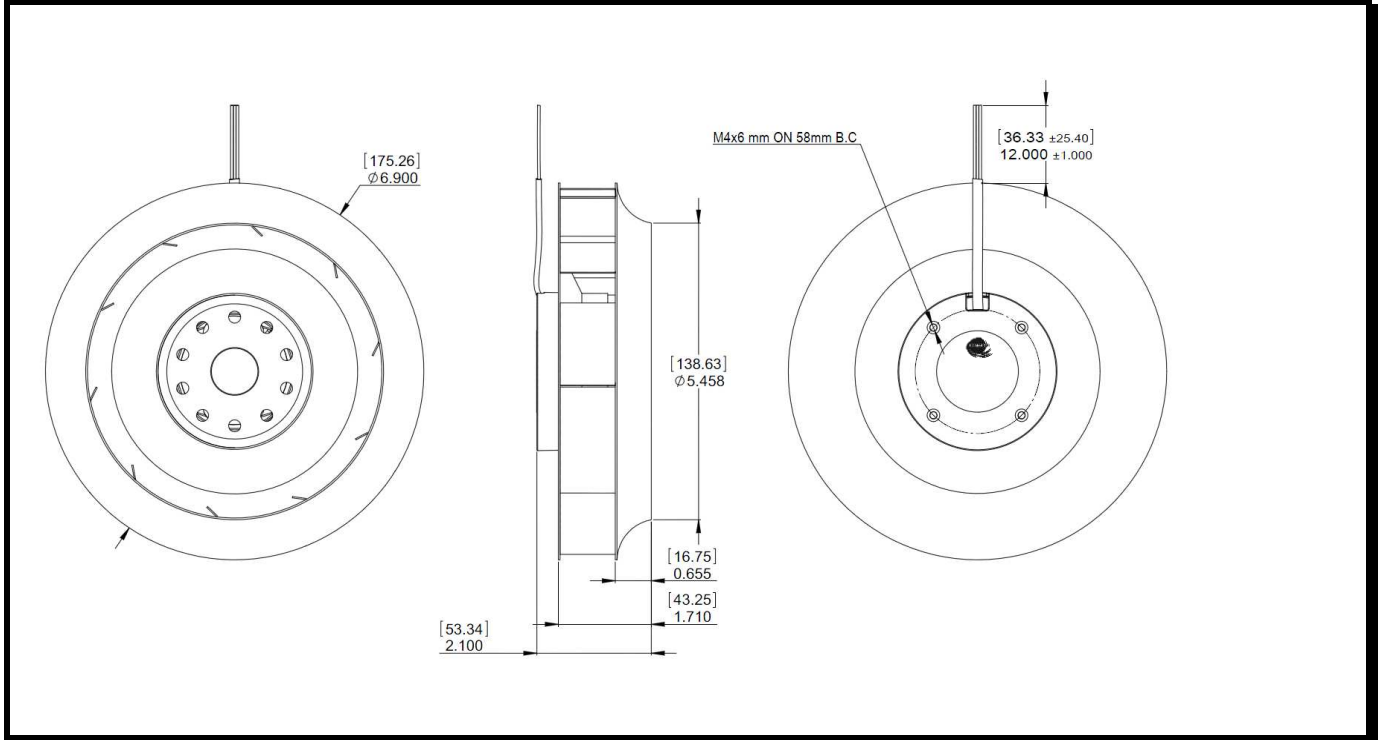
Model Number: DD692148K1A-E2

Part Number: 19040451A

SPEC Number: 26011951A03

Feb 26, 2013

Mechanical Drawing:



Motor:

Nominal Voltage	= 48 vdc
Operating Voltage Range	= 24 - 72 vdc
Nominal Running Current	= 0.650 amps
Locked Rotor Current	= 2.0 amps
Running Power	= 31.20 watts
Average Speed	= 3000 rpm
Bearings	= Ball
Air Flow	= 250 cfm
Acoustic	= 67.2 dBA

Construction:

Motor Base:	Die Cast Aluminum
Propeller:	Sheet Metal, Galvanized

Life Expectancy:

This fan is designed for continuous duty life of 55,000 hours at 40°C.

Agency Approvals:

UL, CUR, CE

Additional Features:

Brushless DC Motor	
Polarity Protected	
Locked Rotor Protection	
Automatic Reset Capability	
Soft Start Capability	
Operating Temperature:	-40°C to 75°C
Storage Temperature:	-50°C to 85°C
Enviro-Shield Type 2	

Tachometer:

Output:	5volt TTL Compatible
I _c :	5mA Typ
Pulses per Revolution:	2
Isolated:	No

Termination:

12" Lead-wires, AWG 22, UL1061	
Red	= Power (+)
Black	= Ground (-)
Blue/White	= Tachometer