



Chipsmall Limited consists of a professional team with an average of over 10 year of expertise in the distribution of electronic components. Based in Hongkong, we have already established firm and mutual-benefit business relationships with customers from,Europe,America and south Asia,supplying obsolete and hard-to-find components to meet their specific needs.

With the principle of “Quality Parts,Customers Priority,Honest Operation,and Considerate Service”,our business mainly focus on the distribution of electronic components. Line cards we deal with include Microchip,ALPS,ROHM,Xilinx,Pulse,ON,Everlight and Freescale. Main products comprise IC,Modules,Potentiometer,IC Socket,Relay,Connector.Our parts cover such applications as commercial,industrial, and automotives areas.

We are looking forward to setting up business relationship with you and hope to provide you with the best service and solution. Let us make a better world for our industry!



Contact us

Tel: +86-755-8981 8866 Fax: +86-755-8427 6832

Email & Skype: info@chipsmall.com Web: www.chipsmall.com

Address: A1208, Overseas Decoration Building, #122 Zhenhua RD., Futian, Shenzhen, China



SPECIFICATIONS

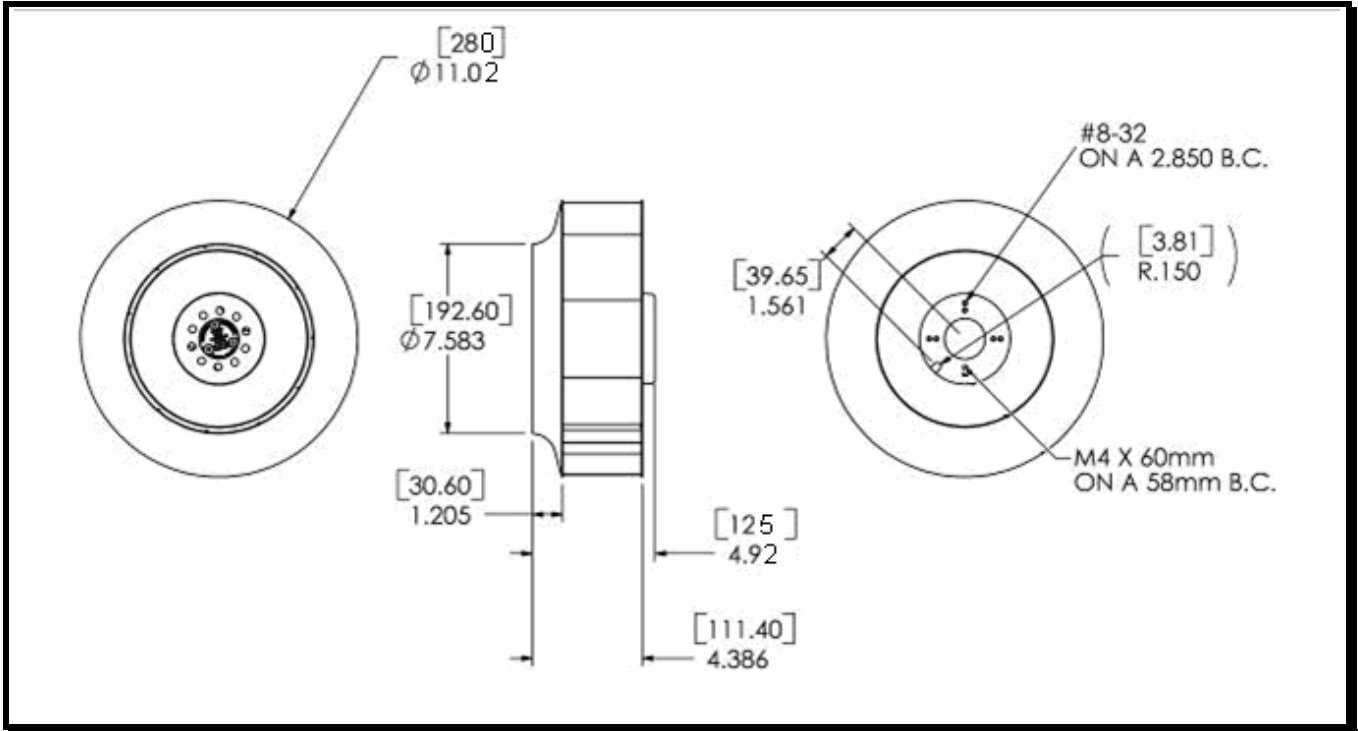
RoHS Compliant



Model Number: DDE114948K1E
Part Number: 040965 Rev. 2

June 09, 2011

Mechanical Drawing



Motor:

Nominal Voltage	= 48 VDC
Operating Voltage Range	= 28 - 72 VDC
Nominal Running Current	= 2.6 amps
Locked Rotor Current	= 4.0 amps
Running Power	= 125 watts
Average Speed	= 1900 RPM
Bearings	= Ball
Air Flow	= 1050 CFM
Static Pressure	= 1.7 (in/H ₂ O)
Acoustic	= 78 dBA

Construction:

Motor Base: Die Cast Aluminum
Propeller: Sheet Metal, Galvanized

Agency Approvals:

UL, cUL

Life Expectancy:

40,000 hrs @ 50°C

Additional Features:

Brushless DC Motor
Electronic Locked Rotor Protection
Polarity Protected
Automatic Restart Capability
Operating Temperature: -25°C to 70°C
Storage Temperature: -40°C to 85°C

Tachometer Specifications:

Output: Open Collector
Ic: 10 mA. Max
Vcc: 72 VDC Max
Pulses per Revolution: 3
Isolated: No

Programmable Speed Control

Method: PWM
Amplitude: 0-10VDC
Frequency: 200-20KHz

Termination:

18" Harness, fan base edge / tip of connector,
Ld wire: UL 1007, 20AWG
Connector: Molex 39-01-2040
Terminals: Molex 39-00-0059
Red - Power (+)
Black - Return (-)
Blue/White - Tachometer (Output)
Yellow - Speed Control (Input)



Comair Rotron Specification Sheet

Fan performance

