



Chipsmall Limited consists of a professional team with an average of over 10 year of expertise in the distribution of electronic components. Based in Hongkong, we have already established firm and mutual-benefit business relationships with customers from,Europe,America and south Asia,supplying obsolete and hard-to-find components to meet their specific needs.

With the principle of "Quality Parts,Customers Priority,Honest Operation,and Considerate Service",our business mainly focus on the distribution of electronic components. Line cards we deal with include Microchip,ALPS,ROHM,Xilinx,Pulse,ON,Everlight and Freescale. Main products comprise IC,Modules,Potentiometer,IC Socket,Relay,Connector.Our parts cover such applications as commercial,industrial, and automotives areas.

We are looking forward to setting up business relationship with you and hope to provide you with the best service and solution. Let us make a better world for our industry!



## Contact us

Tel: +86-755-8981 8866 Fax: +86-755-8427 6832

Email & Skype: info@chipsmall.com Web: www.chipsmall.com

Address: A1208, Overseas Decoration Building, #122 Zhenhua RD., Futian, Shenzhen, China



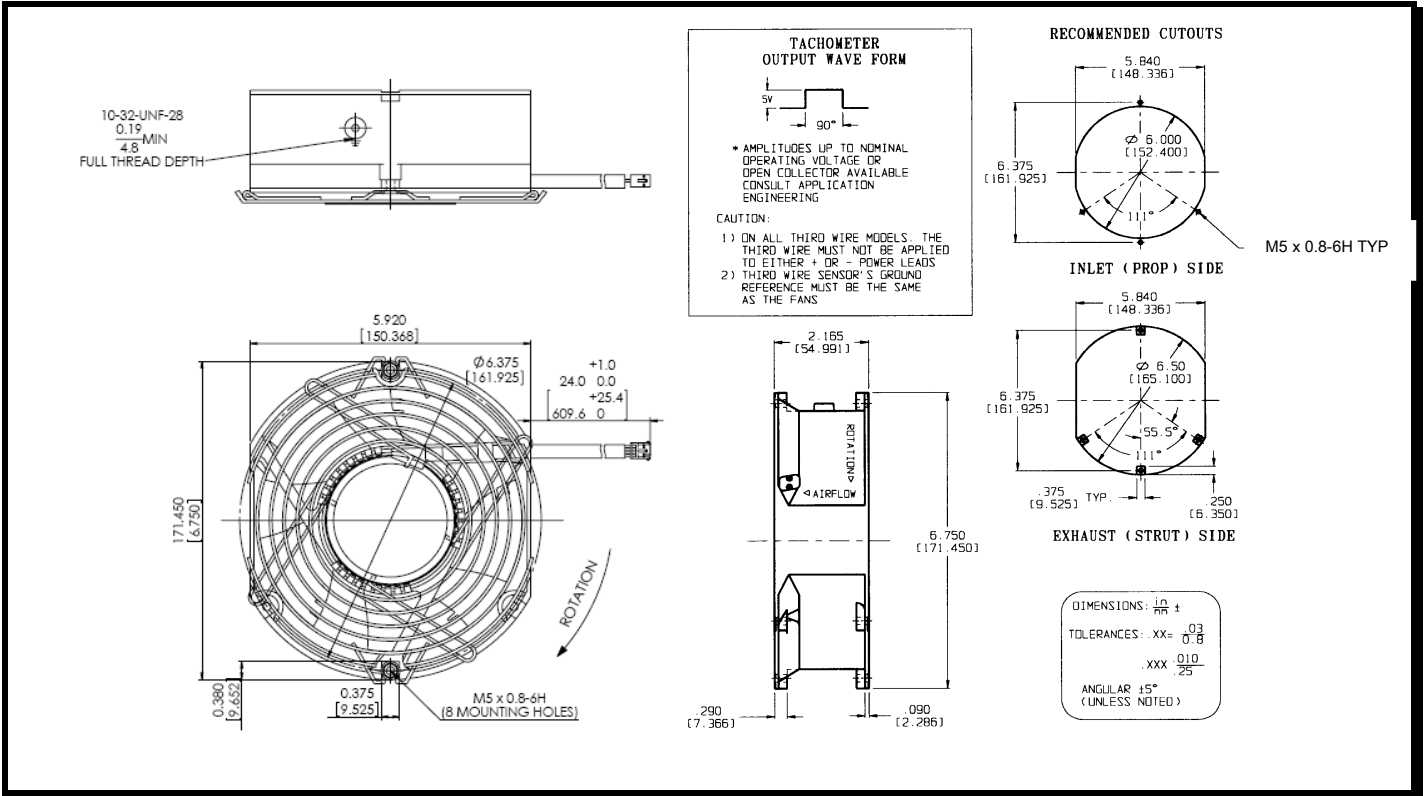
# SPECIFICATIONS



**Model Number:** MT24R0X-E2  
**Part Number:** 19041196A

**Reversion:** 03  
**Aug 02, 2015**

## Mechanical Drawing:



### Motor:

Nominal Voltage	= 24 vdc
Operating Voltage Range	= 12 - 28 vdc
Nominal Running Current	= 1.70 amps
Max. Locked Rotor Current	= 3.50 amps
Running Power	= 41.0 watts
Speed	= 4000 ± 10% RPM
Bearings	= Ball
Air Flow	= 345 CFM
Acoustic	= 60.6 dBA

### Construction:

Venturi:	Aluminum, Black.
Propeller:	Plastic, Black, UL94V-0

### Life Expectancy:

This fan is designed for continuous duty life of 90,000 hours at 40°C.

### Agency Approved:

UL, CE

### Additional Features:

Brushless DC Motor	
Electronic Locked Rotor Protected	
Polarity Protected	
Automatic Restart Capability	
Operating Temperature:	-10°C to 70°C
Storage Temperature:	-40°C to 85°C
Enviroshield:	Type 2
Programmable Speed Control	
M5 tapped mounting holes – all faces	
Finger Guard attached to strut. Side	

### Tachometer:

Output:	Open Collector
I <sub>c</sub> :	5 mA Typical
Isolated:	No
Pulses per Revolution:	2

### Termination:

24" Harness, fan edge/tip of connector, 22 AWG, UL 1007

Connector: Tyco 350780-1

Terminals: Tyco 350561-3

Wire Seal: Tyco 794274-1

Pin 1: Tachometer (Blue)

Pin 2: Negative: Fan Ground (Black)

Pin 3: Positive: Fan Power (Red)

Pin 4: Program Lead (Yellow)

### Program Speed Control

Control signal type: PWM

Control signal freq: 4 KHz

PWM amplitude: Insensitive, 3VDC – 28VDC

Speed control profile

Duty Cycle (%)	Speed (RPM) W/ Tolerance (%)
0	0
10	0
15	1000 ± 10%
20	2000 ± 10%
25	2000 ± 10%
50	2650 ± 10%
75	3300 ± 10%
80	3500 ± 10%
100	4000 ± 10%

s

### PO Curve

