



Chipsmall Limited consists of a professional team with an average of over 10 year of expertise in the distribution of electronic components. Based in Hongkong, we have already established firm and mutual-benefit business relationships with customers from,Europe,America and south Asia,supplying obsolete and hard-to-find components to meet their specific needs.

With the principle of "Quality Parts,Customers Priority,Honest Operation,and Considerate Service",our business mainly focus on the distribution of electronic components. Line cards we deal with include Microchip,ALPS,ROHM,Xilinx,Pulse,ON,Everlight and Freescale. Main products comprise IC,Modules,Potentiometer,IC Socket,Relay,Connector.Our parts cover such applications as commercial,industrial, and automotives areas.

We are looking forward to setting up business relationship with you and hope to provide you with the best service and solution. Let us make a better world for our industry!



## Contact us

Tel: +86-755-8981 8866 Fax: +86-755-8427 6832

Email & Skype: info@chipsmall.com Web: www.chipsmall.com

Address: A1208, Overseas Decoration Building, #122 Zhenhua RD., Futian, Shenzhen, China





## Comair Rotron Specification Sheet

Specification Date: Dec 10,2009

Version 01

RoHS Compliant

COMAIR ROTRON PART NUMBER: 043171  
COMAIR ROTRON MODEL NUMBER: DD692748Z1E5X

---

### A.) MOTOR:

RATED VOLTAGE:	48 Vdc
OPERATING VOLTAGE RANGE:	24 Vdc – 72 Vdc
LOW-START VOLTAGE:	20 Vdc
RUNNING CURRENT:	1.2 Amps
RATED POWER:	52.9 Watts
NOMINAL SPEED:	3435 RPM $\pm$ 200 (At Free Delivery)
START UP TIME:	10 Seconds Maximum
MOTOR TYPE:	Brushless DC
MOTOR PROTECTION:	By Integrated Circuit, Fuse
LOCKED ROTOR PROTECTION:	Electronic
POLARITY PROTECTION:	Yes
AUTOMATIC RESTART CAPABILITY:	By Integrated Circuit
ROTATION:	Clockwise when viewed from Inlet

### B.) MECHANICAL

DIMENSIONS:	175 mm Dia. x 69 mm (6.9" Dia. x 2.7") <i>Figure 1</i>
WEIGHT:	1.0 Kg
BEARING TYPE:	Ball Bearing, Permanently Lubricated, Shielded
MOTOR BASE:	Cast Aluminum
IMPELLER:	sheet metal, black powder coating



# Comair Rotron Specification Sheet

Specification Date: Dec 10,2009

Version 01

RoHS Compliant

COMAIR ROTRON PART NUMBER:

043171

COMAIR ROTRON MODEL NUMBER:

DD692748Z1E5X

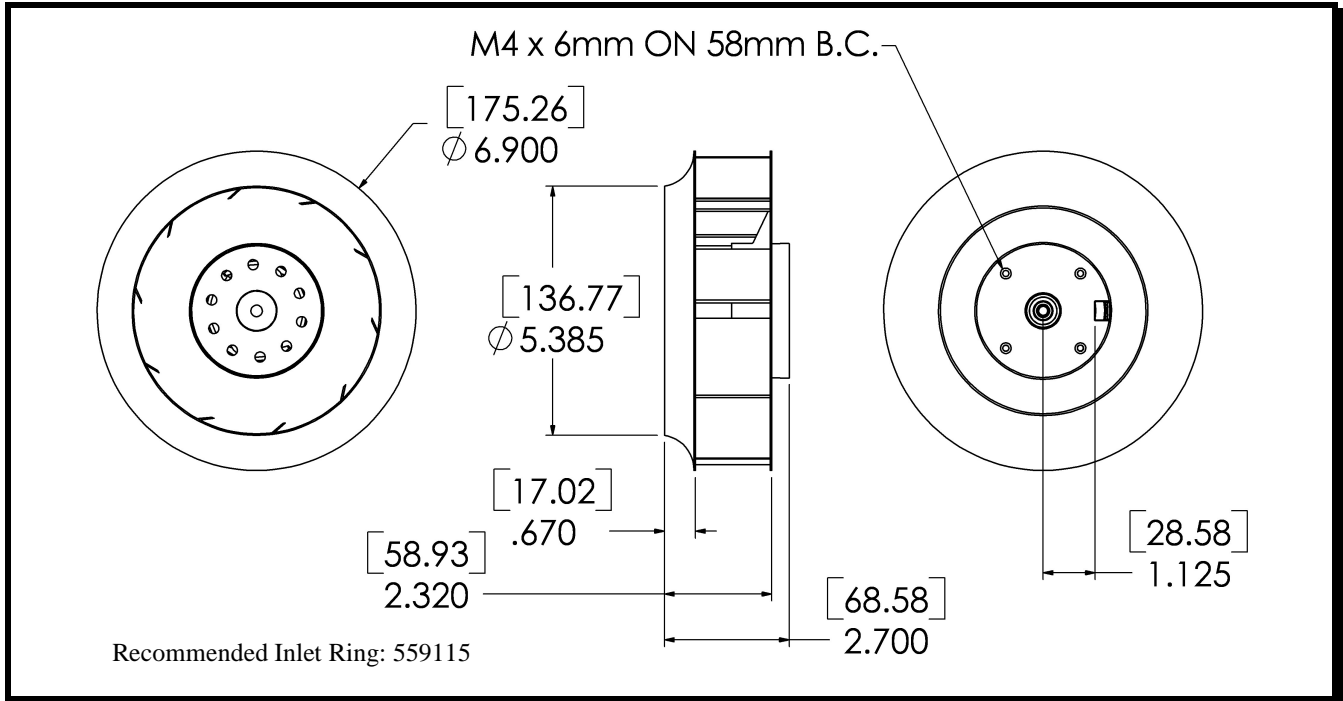


Figure 1

## C.) ADDITIONAL FEATURES

TACHOMETER OUTPUT:

Open Collector Output  
 $V_C = 60\text{vdc max.}$   
 $I_C = 80\text{mA Max.}$   
 2 Pulses per Revolution  
 Non-isolated

PROGRAMMABLE SPEED CONTROL:

Base Frequency:  
 Response:

PWM  
 200Hz ~ 20KHZ  
 Off - 0% to 10%  
 Low Speed - 10% duty cycle  
 Linear ramp - 10% to 100% duty cycle  
 Full Speed - 100% duty cycle

## D.) ENVIRONMENTAL

OPERATING TEMPERATURE:

-10°C to 70°C

STORAGE TEMPERATURE:

-40°C to +75°C



## Comair Rotron Specification Sheet

Specification Date: Dec 10,2009

Version 01

RoHS Compliant

COMAIR ROTRON PART NUMBER:

043171

COMAIR ROTRON MODEL NUMBER:

DD692748Z1E5X

### E.) PERFORMANCE CHARACTERISTICS

AIR FLOW:

354 CFM  $\pm$  10%

(At Free Delivery and 48 Vdc)

STATIC PRESSURE:

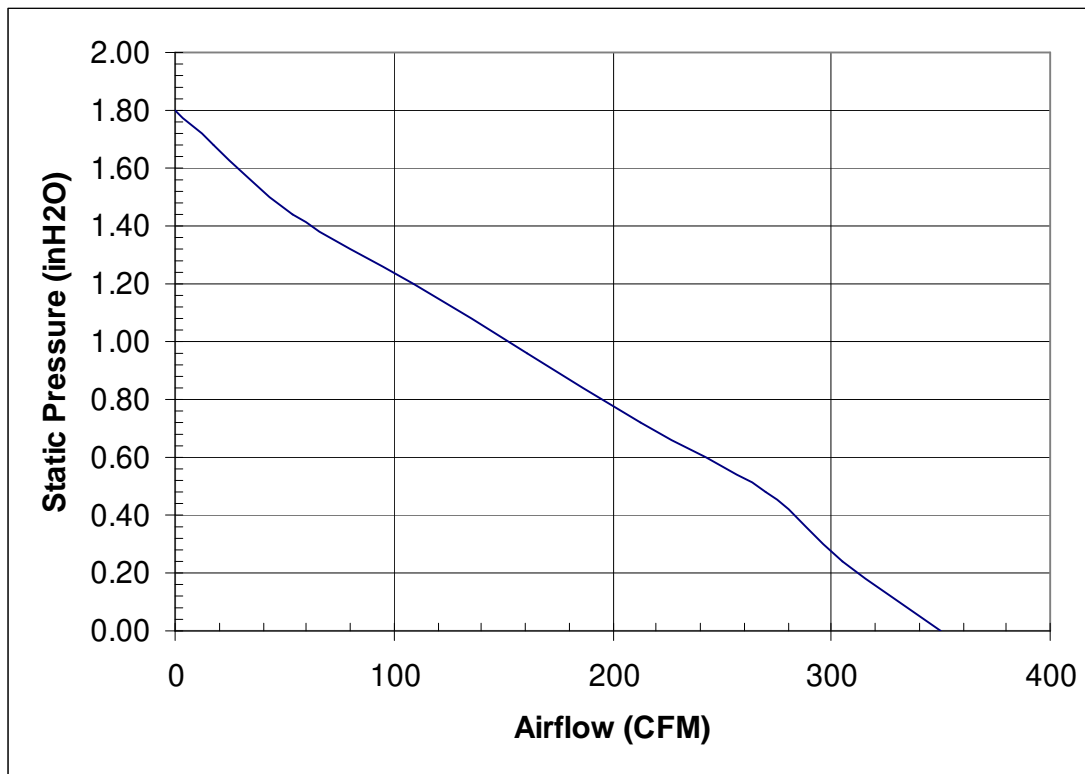
1.8" Inches of H<sub>2</sub>O

(At Shut-Off and 48 Vdc)

ACOUSTIC LEVEL:

71.2dBA

(Freely Suspended at 1 meter per  
ANSI S12.11-1987 and 48Vdc)





## Comair Rotron Specification Sheet

Specification Date: Dec 10,2009

Version 01

RoHS Compliant

COMAIR ROTRON PART NUMBER:

043171

COMAIR ROTRON MODEL NUMBER:

DD692748Z1E5X

### F.) TERMINATION

LEADWIRES:

600mm  $\pm$ 10mm (From the edge of the venturi to the tip of the leadwire),AWG 22, UL1007

CONTACT:

TJC16-YTER

CONNECTOR:

Molex 39-01-2040

SLEEVE TUBE:

PVC (UL or CSA approved)

(Sleeve tube to extend 25  $\pm$  2.0mm beyond the edge of the venturi)

PIN DESCRIPTION:

( Pin Numbering per Molex Sequence )

Pin 1: Yellow - PWM

Pin 2: Blue - Tach

Pin 3: Red -Power(+)

Pin 4: Black - Power(-)

### G.) RELIABILITY

This fan is designed for continuous duty life of 50,000 Hours at 40°C, (L10).

### H.) SAFETY



### I.) Flammability

The all components of the motorized impeller meet a UL94V-0 rating.

#### Notes:

All parameters will perhaps fluctuate with the speed tolerance by + / - 10%.