



Chipsmall Limited consists of a professional team with an average of over 10 year of expertise in the distribution of electronic components. Based in Hongkong, we have already established firm and mutual-benefit business relationships with customers from,Europe,America and south Asia,supplying obsolete and hard-to-find components to meet their specific needs.

With the principle of “Quality Parts,Customers Priority,Honest Operation,and Considerate Service”,our business mainly focus on the distribution of electronic components. Line cards we deal with include Microchip,ALPS,ROHM,Xilinx,Pulse,ON,Everlight and Freescale. Main products comprise IC,Modules,Potentiometer,IC Socket,Relay,Connector.Our parts cover such applications as commercial,industrial, and automotives areas.

We are looking forward to setting up business relationship with you and hope to provide you with the best service and solution. Let us make a better world for our industry!



Contact us

Tel: +86-755-8981 8866 Fax: +86-755-8427 6832

Email & Skype: info@chipsmall.com Web: www.chipsmall.com

Address: A1208, Overseas Decoration Building, #122 Zhenhua RD., Futian, Shenzhen, China



SPECIFICATIONS

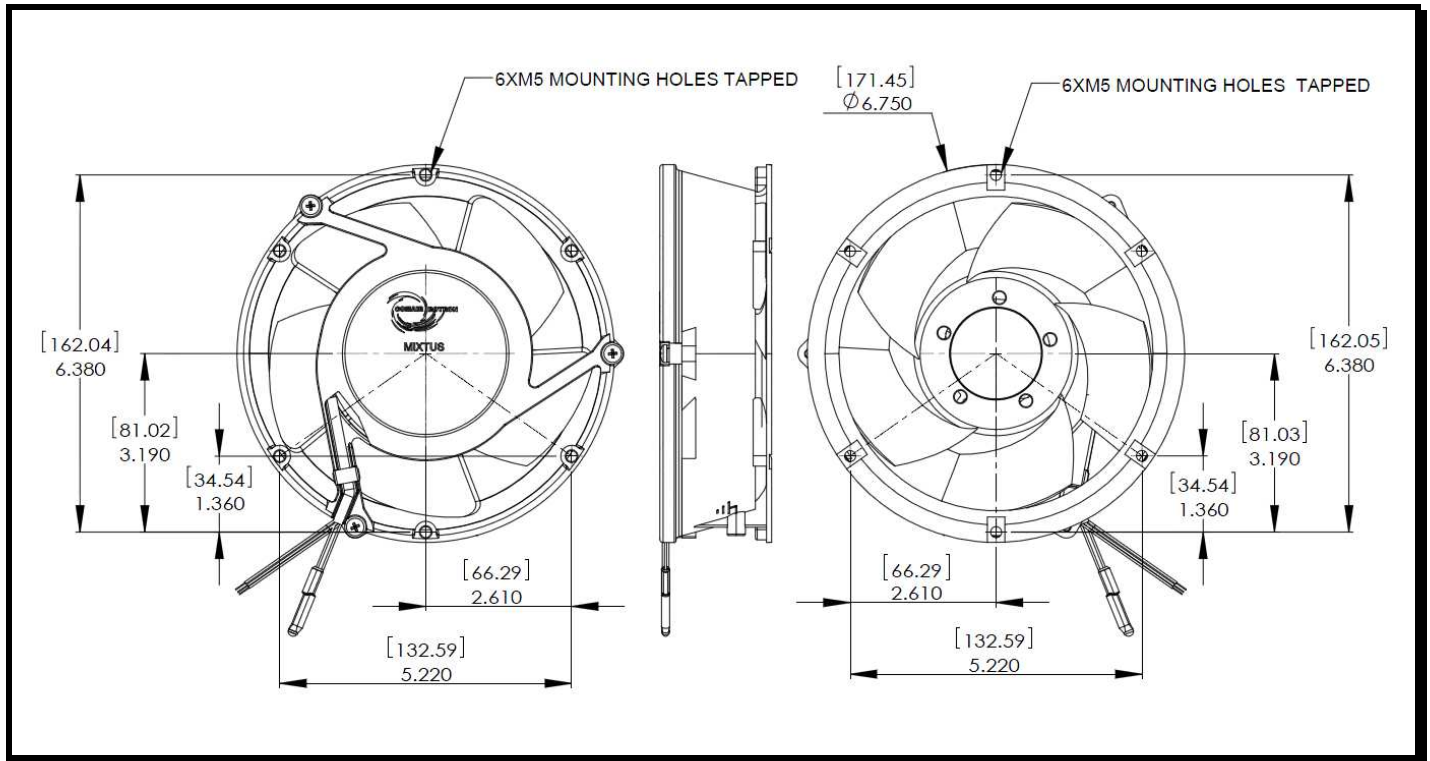
(RoHS Compliant)



Model Number: MFXE48Z3D3-E2
Part Number: 19044018A
SPEC Number: 26017474A Rev:00

Apr 03, 2013

Mechanical Drawing:



Motor:

Nominal Voltage = 48 vdc
Operating Voltage Range = 24 - 72vdc
Nominal Running Current = 1.55 amps
Max. Locked Rotor Current = 3.00 amps
Running Power = 74.4 watts
Average Speed = 5400 rpm
Bearings = Ball
Air Flow = 400 CFM
Acoustic = 69 dBA

Construction:

Venturi: Die Cast Aluminum Alloy, Black.
Propeller: Plastic, Black, UL 94V-0.

Agency Approvals:

UL, CE

Life Expectancy:

This fan is designed for continuous duty life of 75,000 hours at 40°C.

Additional Features:

Brushless DC Motor
Locked Rotor Protection
Reverse Polarity Protected
Automatic Restart Capability
Operating Temperature: -20°C to 70°C
Storage Temperature: -40°C to 85°C

Alarm Output (FPS):

Open Collector (NPN Transistor)
High on Pass, Low on Fail
Vcc: 60Vdc Max
Sink Current (Ic): 20mA Max
Isolated: No
Latching: No
Delay: 10±4s

Termination:

12" length lead wires, 20AWG, UL 1007
Black – Return(-)
Blue – FPS
Red – Power(+)



Comair Rotron Specification Sheet

Specification Date: Apr 03, 2013

48V Mixed Flow P-Q Curve

