



Chipsmall Limited consists of a professional team with an average of over 10 year of expertise in the distribution of electronic components. Based in Hongkong, we have already established firm and mutual-benefit business relationships with customers from,Europe,America and south Asia,supplying obsolete and hard-to-find components to meet their specific needs.

With the principle of "Quality Parts,Customers Priority,Honest Operation,and Considerate Service",our business mainly focus on the distribution of electronic components. Line cards we deal with include Microchip,ALPS,ROHM,Xilinx,Pulse,ON,Everlight and Freescale. Main products comprise IC,Modules,Potentiometer,IC Socket,Relay,Connector.Our parts cover such applications as commercial,industrial, and automotives areas.

We are looking forward to setting up business relationship with you and hope to provide you with the best service and solution. Let us make a better world for our industry!



Contact us

Tel: +86-755-8981 8866 Fax: +86-755-8427 6832

Email & Skype: info@chipsmall.com Web: www.chipsmall.com

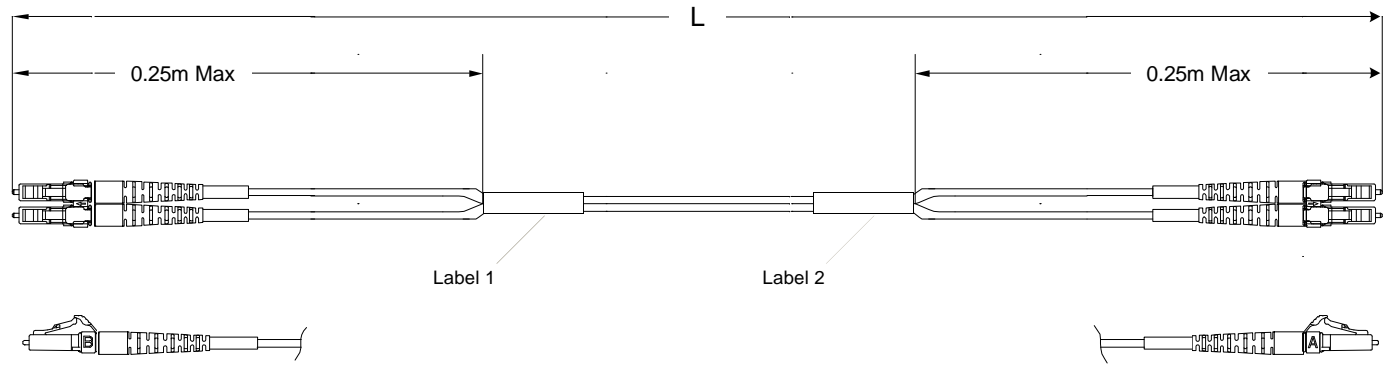
Address: A1208, Overseas Decoration Building, #122 Zhenhua RD., Futian, Shenzhen, China



THIS DRAWING IS A CONTROLLED DOCUMENT. DWG NO. E109061

Restricted to: General Release

USED ON



Connector(s): LC-Duplex Secure
 Mode: MM
 Housing Color: Blue
 Geom. Spec: N/A

Number of Fibers: 2
 Mode: MM
 Jacket Diameter: 2.0 mm
 Jacket Color: Orange
 FiberType: 50/125

Connector(s): LC-Duplex
 Mode: MM
 Housing Color: Beige
 Geom. Spec: N/A

A - _____ - B
 B - _____ - A

LC strain relief - 1.6 to 2.0 mm cable
 Color: Beige/Beige

LC strain relief - 1.6 to 2.0 mm cable
 Color: Beige/Beige

Notes:

- 1 Product and Processing must meet requirements of Tyco Electronics Standard 230-702
- 2 Includes dust caps (not shown on print).
- 3 Label 2 will not be present on any cable assembly less than 5 meters long.

THIS INFORMATION IS CONFIDENTIAL AND PROPRIETARY TO TYCO ELECTRONICS CORPORATION. IT IS NOT TO BE DISCLOSED TO ANY OTHER PERSON OR ENTITY WITHOUT THE WRITTEN AUTHORIZATION OF TYCO ELECTRONICS CORPORATION, HARRISBURG, PENNSYLVANIA.

LOC
CE
DIST
16

A	Rev Per EC#	RELEASE	5/23/2006	-				
P	LTR	REVISION RECORD	DATE	DWG	APVD			

DIMENSIONS:	TOLERANCES UNLESS OTHERWISE SPECIFIED:
meters	
0 PLC	± .
1 PLC	± .
2 PLC	± .
3 PLC	± .
4 PLC	± .

Customer Print

DWG	Cable Assy Configurator	MATERIAL		HEAT TREAT	
CHK	Cable Assy Configurator	Tyco Electronics, Inc. Harrisburg, PA 17105-3608			
APVD	Refer to Engineering Change				
NAME	FO C/A - 2 fiber, 2mm, 50/125, OFNR (Riser) jacket, LC-Duplex Secure to LC-Duplex				
SCALE	SIZE	DRAWING NO	SHEET	REV	
NTS	A2	C- 1906013	1 of 3	A	

CAC Customer Layout Rev: D



USED ON

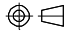
THIS DRAWING IS A CONTROLLED DOCUMENT.


Part #	L (meters)	LC-Duplex Secure, Blue		LC-Duplex, Beige	
		IL (dB)	RL (dB)	IL (dB)	RL (dB)
0-1906013-1	0.950 - 1.050	0.5	-	0.5	-
0-1906013-2	1.950 - 2.050	0.5	-	0.5	-
0-1906013-3	2.950 - 3.050	0.5	-	0.5	-
0-1906013-4	3.920 - 4.080	0.5	-	0.5	-
0-1906013-5	4.920 - 5.080	0.5	-	0.5	-
0-1906013-6	5.920 - 6.080	0.5	-	0.5	-
0-1906013-7	6.920 - 7.080	0.51	-	0.51	-
0-1906013-8	7.920 - 8.080	0.51	-	0.51	-
0-1906013-9	8.850 - 9.150	0.51	-	0.51	-
1-1906013-0	9.850 - 10.150	0.51	-	0.51	-
1-1906013-1	10.850 - 11.150	0.51	-	0.51	-
1-1906013-2	11.850 - 12.150	0.51	-	0.51	-
1-1906013-3	12.850 - 13.150	0.51	-	0.51	-
1-1906013-4	13.850 - 14.150	0.52	-	0.52	-
1-1906013-5	14.850 - 15.150	0.52	-	0.52	-
1-1906013-6	15.840 - 16.160	0.52	-	0.52	-
1-1906013-7	16.830 - 17.170	0.52	-	0.52	-
1-1906013-8	17.820 - 18.180	0.52	-	0.52	-
1-1906013-9	18.810 - 19.190	0.52	-	0.52	-
2-1906013-0	19.800 - 20.200	0.53	-	0.53	-
2-1906013-1	20.790 - 21.210	0.53	-	0.53	-
2-1906013-2	21.780 - 22.220	0.53	-	0.53	-
2-1906013-3	22.770 - 23.230	0.53	-	0.53	-
2-1906013-4	23.760 - 24.240	0.53	-	0.53	-
2-1906013-5	24.750 - 25.250	0.53	-	0.53	-
2-1906013-6	25.740 - 26.260	0.53	-	0.53	-
2-1906013-7	26.730 - 27.270	0.54	-	0.54	-
2-1906013-8	27.720 - 28.280	0.54	-	0.54	-
2-1906013-9	28.710 - 29.290	0.54	-	0.54	-
3-1906013-0	29.700 - 30.300	0.54	-	0.54	-
3-1906013-1	30.690 - 31.310	0.54	-	0.54	-
3-1906013-2	31.680 - 32.320	0.54	-	0.54	-
3-1906013-3	32.670 - 33.330	0.54	-	0.54	-
3-1906013-4	33.660 - 34.340	0.55	-	0.55	-
3-1906013-5	34.650 - 35.350	0.55	-	0.55	-
3-1906013-6	35.640 - 36.360	0.55	-	0.55	-
3-1906013-7	36.630 - 37.370	0.55	-	0.55	-
3-1906013-8	37.620 - 38.380	0.55	-	0.55	-
3-1906013-9	38.610 - 39.390	0.55	-	0.55	-
4-1906013-0	39.600 - 40.400	0.56	-	0.56	-
5-1906013-0	49.500 - 50.500	0.57	-	0.57	-

THIS INFORMATION IS CONFIDENTIAL AND PROPRIETARY TO TYCO ELECTRONICS. IT IS THE PROPERTY OF TYCO ELECTRONICS AND IS NOT TO BE DISCLOSED TO ANY OTHER PERSON OR ENTITY WITHOUT THE WRITTEN AUTHORIZATION OF TYCO ELECTRONICS CORPORATION, HARRISBURG, PENNSYLVANIA

LOC
CE
DIST
16

A	Rev Per ECH	RELEASE	5/23/2006	-					
P	LTR	REVISION RECORD	DATE	DIN	APVD				

DIMENSIONS: meters

 TOLERANCES UNLESS OTHERWISE SPECIFIED:
 0 PLC ± .
 1 PLC ± .
 2 PLC ± .
 3 PLC ± .
 4 PLC ± .

DIN	Cable Assy Configurator	MATERIAL	-	HEAT TREAT	-
OK	Cable Assy Configurator	 Tyco Electronics, Inc. Harrisburg, PA 17105-3608			
APVD	Refer to Engineering Change				
NAME	FO C/A - 2 fiber, 2mm, 50/125, OFNR (Riser) jacket, LC-Duplex Secure to LC-Duplex				
SCALE	SIZE	DRAWING NO	SHEET	REV	
NTS	A2	C- 1906013	2 of 3	A	

Customer Print

D
C
B
A

Label 1

Per specification 107-1645-1



Trace # - Bar Code
Trace # - Human Readable
Part Number
Country of Origin

This label is used on all lengths on this drawing.

Label 2

Per specification 107-1645-1



Trace # - Bar Code
Trace # - Human Readable
Part Number
Country of Origin

This label is used on all lengths on this drawing.

THIS DRAWING IS A CONTROLLED DOCUMENT.

THIS INFORMATION IS CONFIDENTIAL AND PROPRIETARY TO TYCO ELECTRONICS CORPORATION. IT IS NOT TO BE DISCLOSED TO ANY OTHER PERSONS WITHOUT THE WRITTEN AUTHORIZATION OF TYCO ELECTRONICS CORPORATION, HARRISBURG, PENNSYLVANIA.

LOC
CE
DIST
16

Table with columns: A, Rev Per EC#, RELEASE, 5/23/2006, -, P, LTR, REVISION RECORD, DATE, DIN, APVD

Table with columns: DIMENSIONS: meters, TOLERANCES UNLESS OTHERWISE SPECIFIED: 0 PLC ±, 1 PLC ±, 2 PLC ±, 3 PLC ±, 4 PLC ±

Customer Print

Table with columns: DIN, Cable Assy Configurator, MATERIAL, HEAT TREAT, OK, Cable Assy Configurator, APVD, Refer to Engineering Change, NAME, FO C/A - 2 fiber, 2mm, 50/125, OFNR (Riser) jacket, LC-Duplex Secure to LC-Duplex, SCALE, NTS, SIZE, A2, DRAWING NO, C- 1906013, SHEET, 3 of 3, REV, A

D
C
B
A