



Chipsmall Limited consists of a professional team with an average of over 10 year of expertise in the distribution of electronic components. Based in Hongkong, we have already established firm and mutual-benefit business relationships with customers from,Europe,America and south Asia,supplying obsolete and hard-to-find components to meet their specific needs.

With the principle of “Quality Parts,Customers Priority,Honest Operation,and Considerate Service”,our business mainly focus on the distribution of electronic components. Line cards we deal with include Microchip,ALPS,ROHM,Xilinx,Pulse,ON,Everlight and Freescale. Main products comprise IC,Modules,Potentiometer,IC Socket,Relay,Connector.Our parts cover such applications as commercial,industrial, and automotives areas.

We are looking forward to setting up business relationship with you and hope to provide you with the best service and solution. Let us make a better world for our industry!



Contact us

Tel: +86-755-8981 8866 Fax: +86-755-8427 6832

Email & Skype: info@chipsmall.com Web: www.chipsmall.com

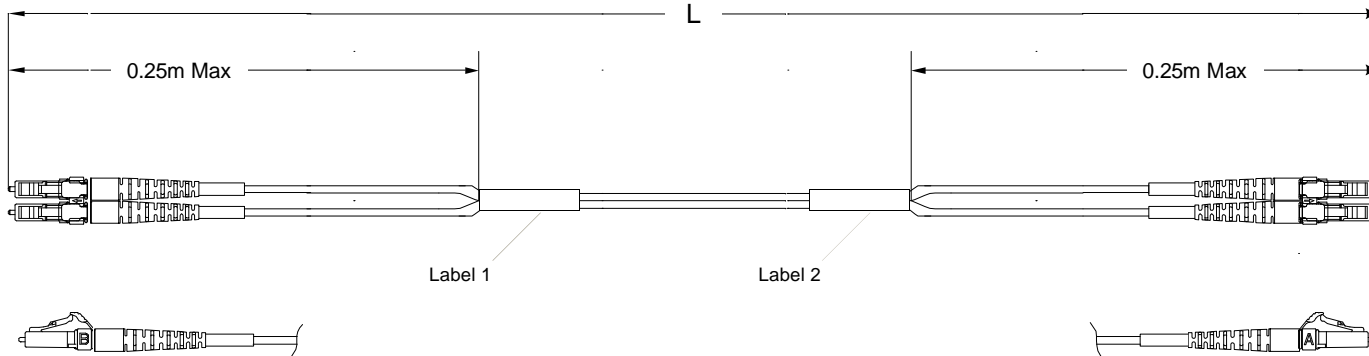
Address: A1208, Overseas Decoration Building, #122 Zhenhua RD., Futian, Shenzhen, China



USED ON

Restricted to: General Release

THIS DRAWING IS A CONTROLLED DOCUMENT. DWG NO 1509061



Connector(s): LC-Duplex Secure
 Mode: MM
 Housing Color: Green
 Geom. Spec: N/A

Number of Fibers: 2
 Mode: MM
 Jacket Diameter: 2.0 mm
 Jacket Color: Orange
 FiberType: 62.5/125

Connector(s): LC-Duplex
 Mode: MM
 Housing Color: Beige
 Geom. Spec: N/A

A - _____ - B
 B - _____ - A

LC strain relief - 1.6 to 2.0 mm cable
 Color: Beige/Beige

LC strain relief - 1.6 to 2.0 mm cable
 Color: Beige/Beige

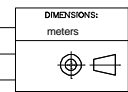
Notes:

- 1 Product and Processing must meet requirements of Tyco Electronics Standard 230-702
- 2 Includes dust caps (not shown on print).
- 3 Label 2 will not be present on any cable assembly less than 5 meters long.

THIS INFORMATION IS CONFIDENTIAL AND PROPRIETARY TO TYCO ELECTRONICS CORPORATION. IT IS THE PROPERTY OF TYCO ELECTRONICS CORPORATION AND IS NOT TO BE DISCLOSED TO ANY OTHER PERSON OR ENTITY WITHOUT THE WRITTEN AUTHORIZATION OF TYCO ELECTRONICS CORPORATION, HARRISBURG, PENNSYLVANIA

LOC
 CE
 DIST
 16

A	Rev Per	EC#	RELEASE	5/24/2006	-		
P	LTR	REVISION	RECORD	DATE	DWG	APVD	



DIMENSIONS:
 meters

TOLERANCES UNLESS OTHERWISE SPECIFIED:

0 P.L.C.	±	-
1 P.L.C.	±	-
2 P.L.C.	±	-
3 P.L.C.	±	-
4 P.L.C.	±	-

Customer Print

DWG	Cable Assy Configurator	MATERIAL	-	HEAT TREAT	-
CHK	Cable Assy Configurator	 Tyco Electronics, Inc. Harrisburg, PA 17105-3608			
APVD	Refer to Engineering Change				
NAME	FO C/A - 2 fiber, 2mm, 62.5/125, OFNR (Riser) jacket, LC-Duplex Secure to LC-Duplex				
SCALE	NTS	SIZE	A2	DRAWING NO	C- 1906054
SHEET	1 of 3	REV	A		

CAC Customer Layout Rev: D



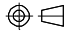
THIS DRAWING IS A CONTROLLED DOCUMENT.

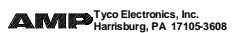
Part #	L (meters)	LC-Duplex Secure, Green		LC-Duplex, Beige	
		IL (dB)	RL (dB)	IL (dB)	RL (dB)
0-1906054-1	0.950 - 1.050	0.5	-	0.5	-
0-1906054-2	1.950 - 2.050	0.5	-	0.5	-
0-1906054-3	2.950 - 3.050	0.5	-	0.5	-
0-1906054-4	3.920 - 4.080	0.5	-	0.5	-
0-1906054-5	4.920 - 5.080	0.5	-	0.5	-
0-1906054-6	5.920 - 6.080	0.5	-	0.5	-
0-1906054-7	6.920 - 7.080	0.51	-	0.51	-
0-1906054-8	7.920 - 8.080	0.51	-	0.51	-
0-1906054-9	8.850 - 9.150	0.51	-	0.51	-
1-1906054-0	9.850 - 10.150	0.51	-	0.51	-
1-1906054-1	10.850 - 11.150	0.51	-	0.51	-
1-1906054-2	11.850 - 12.150	0.51	-	0.51	-
1-1906054-3	12.850 - 13.150	0.51	-	0.51	-
1-1906054-4	13.850 - 14.150	0.52	-	0.52	-
1-1906054-5	14.850 - 15.150	0.52	-	0.52	-
1-1906054-6	15.840 - 16.160	0.52	-	0.52	-
1-1906054-7	16.830 - 17.170	0.52	-	0.52	-
1-1906054-8	17.820 - 18.180	0.52	-	0.52	-
1-1906054-9	18.810 - 19.190	0.52	-	0.52	-
2-1906054-0	19.800 - 20.200	0.53	-	0.53	-
2-1906054-1	20.790 - 21.210	0.53	-	0.53	-
2-1906054-2	21.780 - 22.220	0.53	-	0.53	-
2-1906054-3	22.770 - 23.230	0.53	-	0.53	-
2-1906054-4	23.760 - 24.240	0.53	-	0.53	-
2-1906054-5	24.750 - 25.250	0.53	-	0.53	-
2-1906054-6	25.740 - 26.260	0.53	-	0.53	-
2-1906054-7	26.730 - 27.270	0.54	-	0.54	-
2-1906054-8	27.720 - 28.280	0.54	-	0.54	-
2-1906054-9	28.710 - 29.290	0.54	-	0.54	-
3-1906054-0	29.700 - 30.300	0.54	-	0.54	-
3-1906054-1	30.690 - 31.310	0.54	-	0.54	-
3-1906054-2	31.680 - 32.320	0.54	-	0.54	-
3-1906054-3	32.670 - 33.330	0.54	-	0.54	-
3-1906054-4	33.660 - 34.340	0.55	-	0.55	-
3-1906054-5	34.650 - 35.350	0.55	-	0.55	-
3-1906054-6	35.640 - 36.360	0.55	-	0.55	-
3-1906054-7	36.630 - 37.370	0.55	-	0.55	-
3-1906054-8	37.620 - 38.380	0.55	-	0.55	-
3-1906054-9	38.610 - 39.390	0.55	-	0.55	-
4-1906054-0	39.600 - 40.400	0.56	-	0.56	-
5-1906054-0	49.500 - 50.500	0.57	-	0.57	-

THIS INFORMATION IS CONFIDENTIAL AND PROPRIETARY TO TYCO ELECTRONICS CORPORATION. IT IS THE PROPERTY OF TYCO ELECTRONICS CORPORATION AND IS NOT TO BE DISCLOSED TO ANY OTHER PERSON OR ENTITY WITHOUT THE WRITTEN AUTHORIZATION OF TYCO ELECTRONICS CORPORATION, HARRISBURG, PENNSYLVANIA.

LOC
CE
DIST
16

A	Rev Per ECH	RELEASE	5/24/2006	-			
P	LTR	REVISION RECORD	DATE	DIN	APVD		

DIMENSIONS: meters
 TOLERANCES UNLESS OTHERWISE SPECIFIED:
 0 P.L.C ± -
 1 P.L.C ± -
 2 P.L.C ± -
 3 P.L.C ± -
 4 P.L.C ± -


DIN	Cable Assy Configurator	MATERIAL	-	HEAT TREAT	-
OK	Cable Assy Configurator				
APVD	Refer to Engineering Change				
NAME	FO C/A - 2 fiber, 2mm, 62.5/125, OFNR (Riser) jacket, LC-Duplex Secure to LC-Duplex				
SCALE	SIZE	DRAWING NO	SHEET	REV	
NTS	A2	C- 1906054	2 of 3	A	

A
B
C
D

Label 1

Per specification 107-1645-1



Trace # - Bar Code

Trace # - Human Readable

Part Number

Country of Origin

This label is used on all lengths on this drawing.

Label 2

Per specification 107-1645-1



Trace # - Bar Code

Trace # - Human Readable

Part Number

Country of Origin

This label is used on all lengths on this drawing.

THIS DRAWING IS A CONTROLLED DOCUMENT.

THIS INFORMATION IS CONFIDENTIAL AND PROPRIETARY TO TYCO ELECTRONICS CORPORATION. IT IS THE PROPERTY OF TYCO ELECTRONICS CORPORATION AND IS NOT TO BE DISCLOSED TO ANY OTHER PERSON OR ENTITY WITHOUT THE WRITTEN AUTHORIZATION OF TYCO ELECTRONICS CORPORATION, HARRISBURG, PENNSYLVANIA.

LOC
CE
DIST
16

A	Rev Per EC#	RELEASE	5/24/2006	-				
P	LTR	REVISION RECORD	DATE	DIN	APVD			

DIMENSIONS: meters	TOLERANCES UNLESS OTHERWISE SPECIFIED:
0 PLC ± .	1 PLC ± .
2 PLC ± .	3 PLC ± .
4 PLC ± .	

Customer Print

DIN	Cable Assy Configurator	MATERIAL	HEAT TREAT
OK	Cable Assy Configurator		
APVD	Refer to Engineering Change	AMP Tyco Electronics, Inc. Harrisburg, PA 17105-3608	
NAME	FO C/A - 2 fiber, 2mm, 62.5/125, OFNR (Riser) jacket, LC-Duplex Secure to LC-Duplex		
SCALE	SIZE	DRAWING NO	SHEET
NTS	A2	C- 1906054	3 of 3
			REV
			A



D
C
B
A