



Chipsmall Limited consists of a professional team with an average of over 10 year of expertise in the distribution of electronic components. Based in Hongkong, we have already established firm and mutual-benefit business relationships with customers from,Europe,America and south Asia,supplying obsolete and hard-to-find components to meet their specific needs.

With the principle of “Quality Parts,Customers Priority,Honest Operation,and Considerate Service”,our business mainly focus on the distribution of electronic components. Line cards we deal with include Microchip,ALPS,ROHM,Xilinx,Pulse,ON,Everlight and Freescale. Main products comprise IC,Modules,Potentiometer,IC Socket,Relay,Connector.Our parts cover such applications as commercial,industrial, and automotives areas.

We are looking forward to setting up business relationship with you and hope to provide you with the best service and solution. Let us make a better world for our industry!



## Contact us

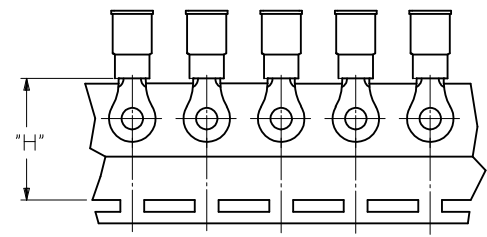
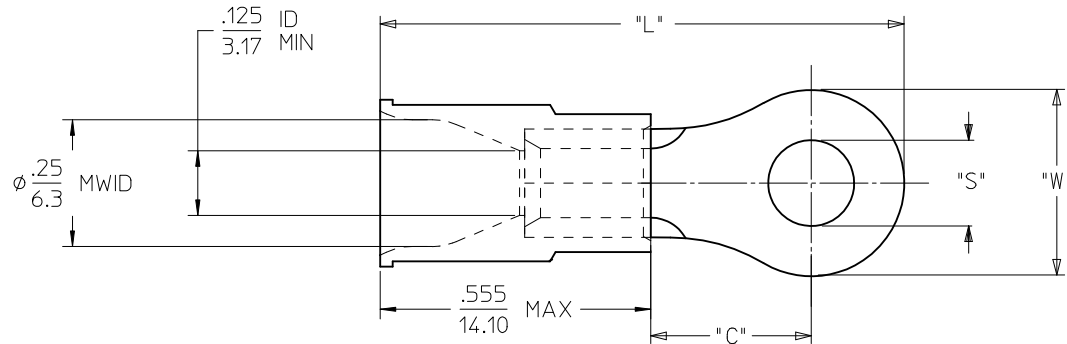
Tel: +86-755-8981 8866 Fax: +86-755-8427 6832

Email & Skype: info@chipsmall.com Web: www.chipsmall.com

Address: A1208, Overseas Decoration Building, #122 Zhenhua RD., Futian, Shenzhen, China



10		9		8		7		6		5		4		3		2		1	
LOOSE PIECE				TAPE MOUNTED				STUD SIZE	"S" ±.005/ 0.13	"W" ±.010/ 0.25	"C" MIN	"L" MAX	"H" ±.020/0.51						
MATERIAL NO.	ENGINEERING P/N	MATERIAL NO.	ENGINEERING P/N																
190700143	C-236-06X	190700144	C-236-06XT	6	.146/ 3.70	.282/ 7.16	.306/ 7.77	1.04/ 26.3	.98/ 24.9										
190700145	C-236-08X	190700146	C-236-08XT	8	.173/ 4.39	.282/ 7.16	.306/ 7.77	1.04/ 26.3	.98/ 24.9										
190700117	C-228-04X	-	-	4	.119/ 3.02	.375/ 9.53	.303/ 7.70	1.08/ 27.4	-										
190700119	C-228-06X	190700120	C-228-06XT	6	.146/ 3.70	.375/ 9.53	.303/ 7.70	1.08/ 27.4	.98/ 24.9										
190700121	C-228-08X	190700122	C-228-08XT	8	.173/ 4.39	.375/ 9.53	.303/ 7.70	1.08/ 27.4	.98/ 24.9										
190700123	C-228-10X	190700125	C-228-10XT	10	.198/ 5.02	.375/ 9.53	.303/ 7.70	1.08/ 27.4	.98/ 24.9										
190700128	C-228-209X	-	-	5mm	.209/ 5.30	.375/ 9.53	.303/ 7.70	1.08/ 27.4	-										
190700130	C-230-10X	190700131	C-230-10XT	10	.198/ 5.02	.530/ 13.46	.393/ 9.98	1.25/ 31.6	.98/ 24.9										
190700132	C-230-14X	190700133	C-230-14XT	1/4"	.265/ 6.73	.530/ 13.46	.393/ 9.98	1.25/ 31.6	.98/ 24.9										
190700136	C-230-56X	190700137	C-230-56XT	5/16"	.328/ 8.33	.530/ 13.46	.393/ 9.98	1.25/ 31.6	.98/ 24.9										
190700148	C-240-10X	190700149	C-240-10XT	10	.198/ 5.02	.592/ 15.04	.466/ 11.84	1.35/ 34.3	1.17/ 29.8										
190700150	C-240-14X	190700151	C-240-14XT	1/4"	.265/ 6.73	.592/ 15.04	.466/ 11.84	1.35/ 34.3	1.17/ 29.8										
190700155	C-240-56X	190700156	C-240-56XT	5/16"	.328/ 8.33	.592/ 15.04	.466/ 11.84	1.35/ 34.3	1.17/ 29.8										
190700153	C-240-38X	190700154	C-240-38XT	3/8"	.390/ 9.90	.592/ 15.04	.466/ 11.84	1.35/ 34.3	1.17/ 29.8										
190700111	C-201-14X	-	-	1/4"	.265/ 6.73	.750/ 19.05	.611/ 15.52	1.58/ 40.0	-										
190700115	C-201-76X	190700116	C-201-76XT	7/16"	.453/ 11.50	.750/ 19.05	.611/ 15.52	1.58/ 40.0	1.30/ 33.0										
190700109	C-201-12X	190700110	C-201-12XT	1/2"	.515/ 13.08	.750/ 19.05	.611/ 15.52	1.58/ 40.0	1.30/ 33.0										



PARTS ON TAPE  
(NOTE: C-240 AND C-201 PARTS ARE DOUBLE-SPACED)

- NOTES:  
 1. MATERIALS:  
 TERMINAL: TIN-PLATED COPPER  
 INSULATION: PVC INSULATION, YELLOW  
 2. MWIDTH = MAXIMUM WIRE INSULATION DIAMETER  
 3. PARTS ARE ROHS COMPLIANT.

<b>REDRAW</b> EC NO: WNA2011-0252 DRAWN: ETHRODAHL 2011/01/24 CHKD: JMACNEIL 2011/01/24 APPR: JMACNEIL 2011/02/21 REV A	QUALITY SYMBOLS ▽=0 ▽=0	GENERAL TOLERANCES (UNLESS SPECIFIED) mm INCH 4 PLACES ± --- ± --- 3 PLACES ± --- ± .005 2 PLACES ± 0.13 ± .010 1 PLACE ± 0.25 ± .020 ANGULAR ± 1/2°	DIMENSION STYLE IN/MM DRAWN BY ETHRODAHL DATE 2011/01/24 CHECKED BY JMACNEIL DATE 2011/01/24 APPROVED BY JMACNEIL DATE 2011/02/21	SCALE --- DESIGN UNITS INCH THIRD ANGLE PROJECTION	TITLE RING TONGUE TERMINAL INSULKRIMP 12-10 AWG
	DRAFT WHERE APPLICABLE MUST REMAIN WITHIN DIMENSIONS		MATERIAL NO. SEE CHART	DOCUMENT NO. SD-19070-007	SHEET NO. 1 OF 1
	THIS DRAWING CONTAINS INFORMATION THAT IS PROPRIETARY TO MOLEX INCORPORATED AND SHOULD NOT BE USED WITHOUT WRITTEN PERMISSION				
	MOLEX INCORPORATED				