



Chipsmall Limited consists of a professional team with an average of over 10 year of expertise in the distribution of electronic components. Based in Hongkong, we have already established firm and mutual-benefit business relationships with customers from,Europe,America and south Asia,supplying obsolete and hard-to-find components to meet their specific needs.

With the principle of “Quality Parts,Customers Priority,Honest Operation,and Considerate Service”,our business mainly focus on the distribution of electronic components. Line cards we deal with include Microchip,ALPS,ROHM,Xilinx,Pulse,ON,Everlight and Freescale. Main products comprise IC,Modules,Potentiometer,IC Socket,Relay,Connector.Our parts cover such applications as commercial,industrial, and automotives areas.

We are looking forward to setting up business relationship with you and hope to provide you with the best service and solution. Let us make a better world for our industry!



Contact us

Tel: +86-755-8981 8866 Fax: +86-755-8427 6832

Email & Skype: info@chipsmall.com Web: www.chipsmall.com

Address: A1208, Overseas Decoration Building, #122 Zhenhua RD., Futian, Shenzhen, China



FO PCB terminal block - FOPT 2.2-T - 1907911

Please be informed that the data shown in this PDF Document is generated from our Online Catalog. Please find the complete data in the user's documentation. Our General Terms of Use for Downloads are valid (<http://download.phoenixcontact.com>)



PCB terminal block, Pitch: 10.16 mm, Number of positions: 1, Connection method: Spring-cage conn., Mounting: Soldering, Conductor/PCB connection direction: 0 °, Color: green, Green housing with transmit diode/ optic fibers can be connected: Polymer fiber (in acc. with IEC 60793-2 type A4a, diameter outer sheath 2.2 mm) / data rate: 125 Mbps / transmission distance max. 50 m / detailed data sheet available on request

Why buy this product

- Connection without fiber pretreatment, easy cutting using IBS RL FOC fiber cutter
- Bend protection sleeve supplied as standard
- Stability thanks to additional strain relief
- More user friendly thanks to direct plug-in technology with release button
- Integrated transmit and receive diode



Key commercial data

Packing unit	1
Minimum order quantity	10
Catalog page	Page 541 (CC-2011)
GTIN	 4 017918 606237
Custom tariff number	85369010
Country of origin	GERMANY

Technical data

Dimensions / positions

Pitch	10.16 mm
Number of positions	1

Technical data

Range of articles	FOPT
Connection in acc. with standard	EN-VDE
Nominal cross section	0 mm ²
Inflammability class according to UL 94	HB

FO PCB terminal block - FOPT 2.2-T - 1907911

Classifications

eclass

eCl@ss 4.0	272607xx
eCl@ss 4.1	27260701
eCl@ss 5.0	27260701
eCl@ss 5.1	27260701
eCl@ss 6.0	27260704
eCl@ss 7.0	27440402

etim

ETIM 3.0	EC001121
ETIM 4.0	EC002637
ETIM 5.0	EC002643

unspsc

UNSPSC 6.01	30211832
UNSPSC 7.0901	39121429
UNSPSC 11	39121429
UNSPSC 12.01	39121429
UNSPSC 13.2	39121429

Approvals

Approvals

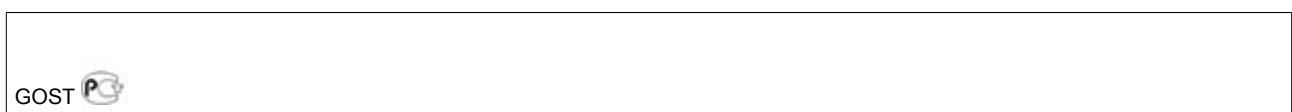
Approvals

GOST / GOST

Ex Approvals

Approvals submitted

Approval details



FO PCB terminal block - FOPT 2.2-T - 1907911

Accessories

Accessories

Assembly

Accessories - KST-POF - 1933011

Bend protection sleeve

Cable/conductor

FO cable - PSM-LWL-KDL-980/1000 - 2799283



Polymer fiber cable, duplex 980/1000 μm , light-weight version for indoor installation, by the meter, without connector

FO cable - PSM-LWL-KDHEAVY-980/1000 - 2744319



Polymer fiber cable, duplex 980/1000 μm , medium-weight version for permanent indoor installation, by the meter, without connector

FO cable - PSM-LWL-RUGGED-980/1000 - 2744322



Polymer fiber cable, duplex, 980 μm /1000 μm , heavy version for permanent indoor installation, sold by the meter without connectors

FO cable - PSM-LWL-RUGGED-FLEX-980/1000 - 2744335



Polymer fiber cable, duplex 980/1000 μm , heavy-weight, highly flexible version for flexible conduit applications, by the meter, without connector

Tools

FO PCB terminal block - FOPT 2.2-T - 1907911

Accessories

Screwdriver - SZF 0-0,4X2,5 - 1204504



Actuation tool, for ST terminal blocks, also suitable for use as a bladed screwdriver, size: 0.4 x 2.5 x 75 mm, 2-component grip, with non-slip grip

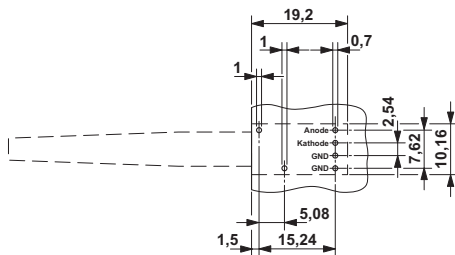
Fiber cutter - IBS RL FOC - 2725147



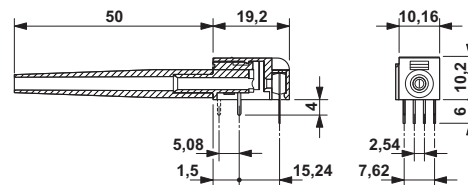
Fiber cutter for assembling polymer fiber cables for connecting INTERBUS Rugged Line devices

Drawings

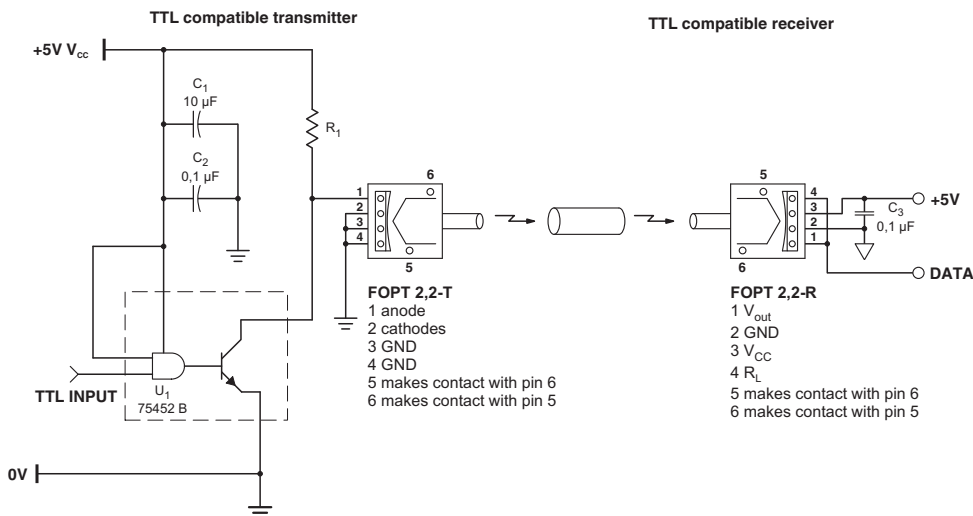
Drilling diagram



Dimensioned drawing

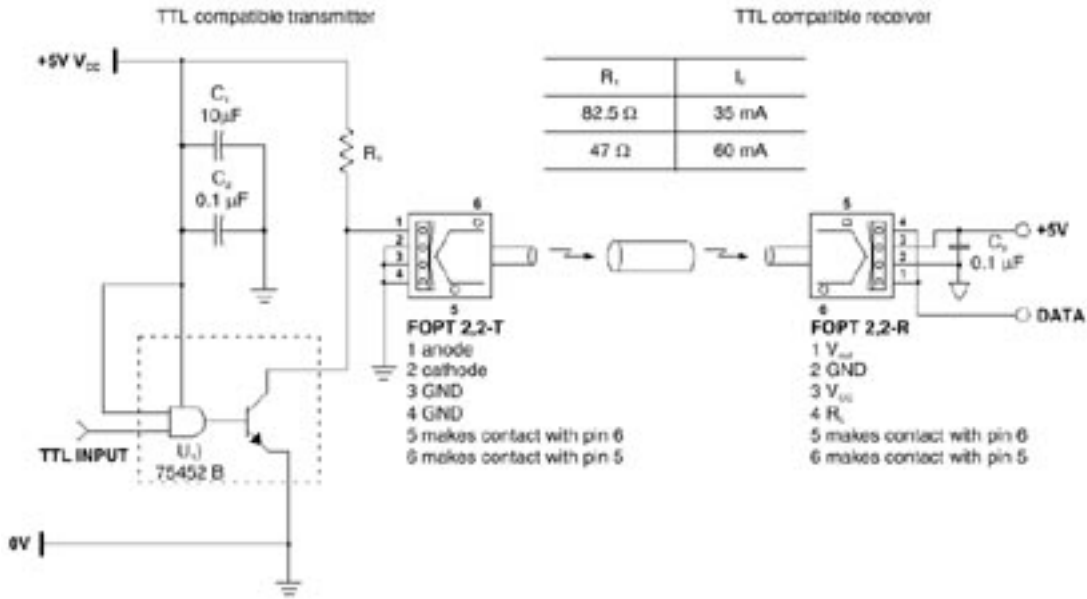


Circuit diagram



FO PCB terminal block - FOPT 2.2-T - 1907911

Block diagram



© Phoenix Contact 2012 - all rights reserved
<http://www.phoenixcontact.com>