



Chipsmall Limited consists of a professional team with an average of over 10 year of expertise in the distribution of electronic components. Based in Hongkong, we have already established firm and mutual-benefit business relationships with customers from,Europe,America and south Asia,supplying obsolete and hard-to-find components to meet their specific needs.

With the principle of “Quality Parts,Customers Priority,Honest Operation,and Considerate Service”,our business mainly focus on the distribution of electronic components. Line cards we deal with include Microchip,ALPS,ROHM,Xilinx,Pulse,ON,Everlight and Freescale. Main products comprise IC,Modules,Potentiometer,IC Socket,Relay,Connector.Our parts cover such applications as commercial,industrial, and automotives areas.

We are looking forward to setting up business relationship with you and hope to provide you with the best service and solution. Let us make a better world for our industry!



Contact us

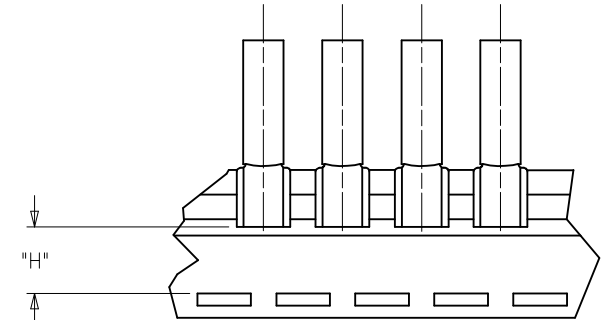
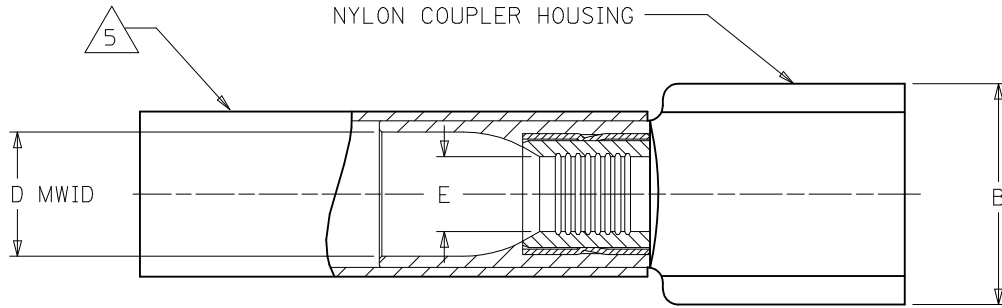
Tel: +86-755-8981 8866 Fax: +86-755-8427 6832

Email & Skype: info@chipsmall.com Web: www.chipsmall.com

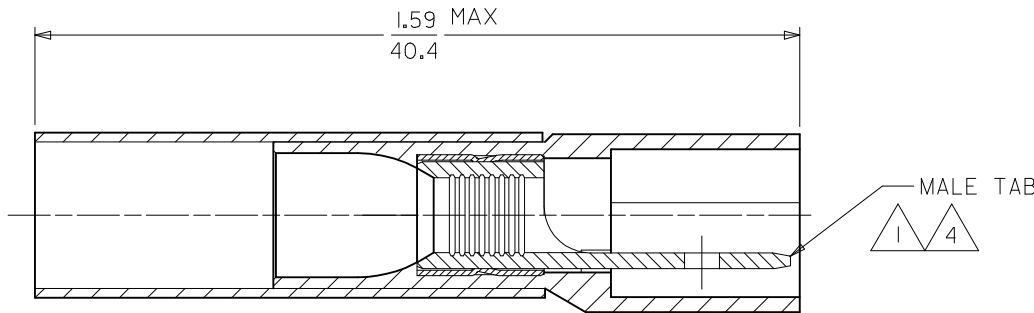
Address: A1208, Overseas Decoration Building, #122 Zhenhua RD., Futian, Shenzhen, China



MATERIAL NUMBER	ENG. NUMBER	TAPE MATERIAL NUMBER	TAPE ENG NUMBER	WIRE SIZE AWG	WIRE SIZE MM SQ.	NYLON COLOR	B MAX.	D MWID	E MIN. DIA.	F MAX. DIA.	H (F) NOMINAL
191640015	SAA-9260	191640016	SAA-9260T	22-18	.25-1.5	RED	.45/11.4	.17/4.3	.049/1.25	.29/7.4	.48/12.2
191640048	SBB-9262	191640049	SBB-9262T	16-14	1.0-2.5	BLUE	.45/11.4	.18 /4.5	.082/2.08	.31/7.9	.48/12.2
191640075	SC-9280	N/A	N/A	12-10	4.0-6.0	YELLOW	.46/11.7	.23/5.8	.148/3.76	.39/9.9	N/A



TAPE MOUNTING DETAIL



NOTES:

1. MALE TAB CONFORMS TO UL310.
2. ALL DIMENSIONS SHOWN ARE BEFORE SHRINK TUBING IS HEATED.
3. "MWID" DENOTES MAX. WIRE INSULATION DIA.
4. TAB MATERIAL: COPPER ALLOY, PLATING: TIN
5. NYLON HEAT SHRINKABLE TUBING WITH HOTMELT INNER LINER. SEE CHART FOR COLOR.
6. ALL PARTS ARE ROHS COMPLIANT.

SALES DRAWING

H DIM .48 WAS .47 EC NO: IPG2014-1050 TIDRWAJBYRICK 2013/12/05 CHKD: APPR: JMACNEIL 2014/01/21 REV DESCRIPTION	QUALITY SYMBOLS	GENERAL TOLERANCES (UNLESS SPECIFIED)	DIMENSION STYLE	SCALE	DESIGN UNITS	THIRD ANGLE PROJECTION
	▽=0	mm INCH	IN/MM	---	INCH	☉
	▽=0	4 PLACES ± --- ± ---	DRAWN BY DATE	BRE 2002/10/25	HEB 2002/10/25	MATERIAL NO. SEE CHART
		3 PLACES ± --- ± ---	CHECKED BY DATE			
	2 PLACES ± --- ± ---	APPROVED BY DATE	RWD 2002/10/25	DOCUMENT NO. SD-19164-039	SHEET NO. 1 OF 1	
	1 PLACE ± --- ± ---	ANGULAR ± ---°	THIS DRAWING CONTAINS INFORMATION THAT IS PROPRIETARY TO MOLEX INCORPORATED AND SHOULD NOT BE USED WITHOUT WRITTEN PERMISSION			