



Chipsmall Limited consists of a professional team with an average of over 10 year of expertise in the distribution of electronic components. Based in Hongkong, we have already established firm and mutual-benefit business relationships with customers from,Europe,America and south Asia,supplying obsolete and hard-to-find components to meet their specific needs.

With the principle of “Quality Parts,Customers Priority,Honest Operation,and Considerate Service”,our business mainly focus on the distribution of electronic components. Line cards we deal with include Microchip,ALPS,ROHM,Xilinx,Pulse,ON,Everlight and Freescale. Main products comprise IC,Modules,Potentiometer,IC Socket,Relay,Connector.Our parts cover such applications as commercial,industrial, and automotives areas.

We are looking forward to setting up business relationship with you and hope to provide you with the best service and solution. Let us make a better world for our industry!



Contact us

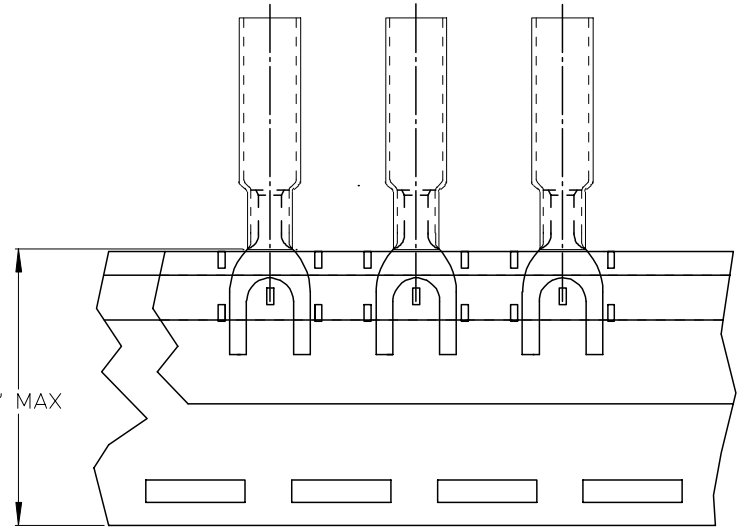
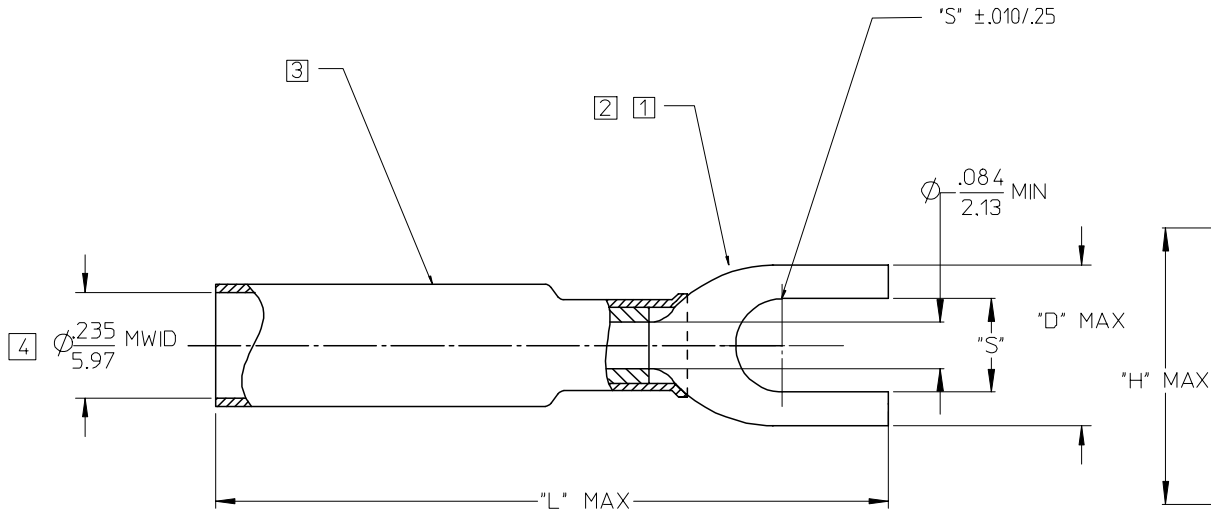
Tel: +86-755-8981 8866 Fax: +86-755-8427 6832

Email & Skype: info@chipsmall.com Web: www.chipsmall.com

Address: A1208, Overseas Decoration Building, #122 Zhenhua RD., Futian, Shenzhen, China



MATERIAL NUMBER LOOSE PC.	ENGINEERING NUMBER LOOSE PC.	MATERIAL NUMBER ON TAPE	ENGINEERING NUMBER ON TAPE	STUD SIZE	STUD HOLE SIZE "S" ±.005/.13	"D"	"H"	"L"
191640028	SB-227-06	191640948	SB-227-06T	#06	∅.146/3.71	.37/9.4	.990/25.15	1.42/36.1
191640029	SB-227-08	191640949	SB-227-08T	#08	∅.173/4.39	.40/10.2	.990/25.15	1.42/36.1
191640030	SB-227-10	191640950	SB-227-10T	#10	∅.198/5.03	.40/10.2	.990/25.15	1.42/36.1



NOTES:

- [1] TERMINAL MATERIAL: COPPER ALLOY .031/0.79 THK.
- [2] FINISH: ELECTRO TIN PLATE.
- [3] INSULATION MATERIAL: PERMA-SEAL SHRINKABLE TUBING WITH HOT-MELT ADHESIVE INNER LINER. COLOR: BLUE.
- [4] MWD = MAXIMUM WIRE INSULATION DIAMETER.

PROPOSED EC NO: DRWNL: SHADECK CHKD: DERROSS APPR: JPAWLICK 2005/06/28 2005/07/21 2005/07/21	DESCRIPTION REV	QUALITY SYMBOLS	GENERAL TOLERANCES (UNLESS SPECIFIED)	DIMENSION STYLE	SCALE	DESIGN UNITS	THIRD ANGLE PROJECTION															
		$\nabla = 0$ $\nabla = 0$	<table border="1"> <thead> <tr> <th></th> <th>mm</th> <th>INCH</th> </tr> </thead> <tbody> <tr> <td>4 PLACES</td> <td>± ---</td> <td>± ---</td> </tr> <tr> <td>3 PLACES</td> <td>± ---</td> <td>± ---</td> </tr> <tr> <td>2 PLACES</td> <td>± ---</td> <td>± ---</td> </tr> <tr> <td>1 PLACE</td> <td>± ---</td> <td>± ---</td> </tr> </tbody> </table>		mm	INCH	4 PLACES	± ---	± ---	3 PLACES	± ---	± ---	2 PLACES	± ---	± ---	1 PLACE	± ---	± ---	IN/MM	4:1	INCH	
			mm	INCH																		
		4 PLACES	± ---	± ---																		
3 PLACES	± ---	± ---																				
2 PLACES	± ---	± ---																				
1 PLACE	± ---	± ---																				
	ANGULAR ± .5 °	DRAWN BY BE DATE 02/09/03	TITLE PERMA-SEAL TERMINAL SPADE TERMINAL 16-14 AWG TAPE MOUNTED																			
	DRAFT WHERE APPLICABLE MUST REMAIN WITHIN DIMENSIONS	CHECKED BY HB DATE 02/09/03	APPROVED BY RD DATE 02/09/03																			
		MATERIAL NO. SEE CHART	DOCUMENT NO. SD-19164-027																			
		SIZE B	THIS DRAWING CONTAINS INFORMATION THAT IS PROPRIETARY TO MOLEX INCORPORATED AND SHOULD NOT BE USED WITHOUT WRITTEN PERMISSION																			