



Chipsmall Limited consists of a professional team with an average of over 10 year of expertise in the distribution of electronic components. Based in Hongkong, we have already established firm and mutual-benefit business relationships with customers from,Europe,America and south Asia,supplying obsolete and hard-to-find components to meet their specific needs.

With the principle of "Quality Parts,Customers Priority,Honest Operation,and Considerate Service",our business mainly focus on the distribution of electronic components. Line cards we deal with include Microchip,ALPS,ROHM,Xilinx,Pulse,ON,Everlight and Freescale. Main products comprise IC,Modules,Potentiometer,IC Socket,Relay,Connector.Our parts cover such applications as commercial,industrial, and automotives areas.

We are looking forward to setting up business relationship with you and hope to provide you with the best service and solution. Let us make a better world for our industry!



## Contact us

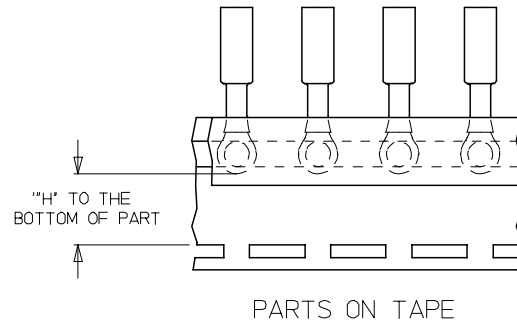
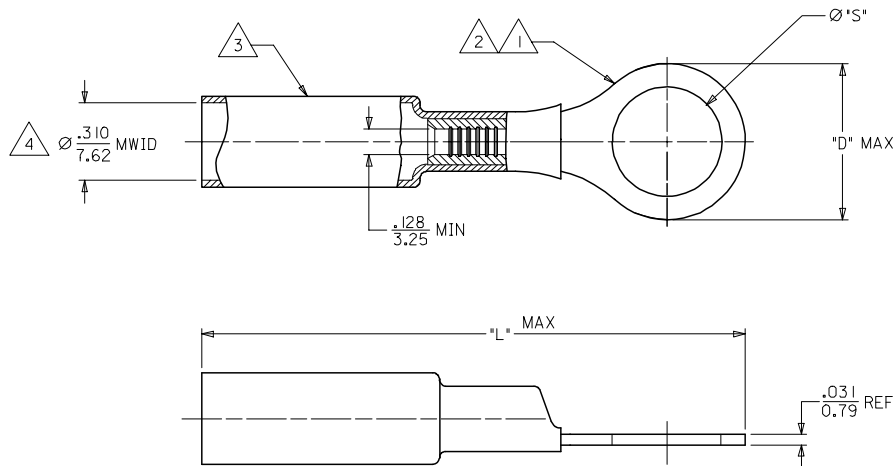
Tel: +86-755-8981 8866 Fax: +86-755-8427 6832

Email & Skype: info@chipsmall.com Web: www.chipsmall.com

Address: A1208, Overseas Decoration Building, #122 Zhenhua RD., Futian, Shenzhen, China



MATERIAL NUMBER	ENGINEERING NUMBER	MATERIAL NUMBER ON TAPE	ENGINEERING NUMBER ON TAPE	STUD SIZE	"S" ±.005/0.03	"D" MAX	"H" ±.020/0.50	"L" MAX
191640060	SC-228-04	191640936	SC-228-04T	#4	.126/3.20	.39/9.9	4.69/11.91	1.39/35.1
191640061	SC-228-06	191640937	SC-228-06T	#6	.146/3.71	.39/9.9	4.69/11.91	1.39/35.1
191640062	SC-228-08	191640938	SC-228-08T	#8	.173/4.39	.39/9.9	4.69/11.91	1.39/35.1
191640063	SC-228-10	191640939	SC-228-10T	#10	.198/5.03	.39/9.9	4.69/11.91	1.39/35.1
191640065	SC-230-10	191640316	SC-230-10T	#10	.198/5.03	.54/13.7	3.02/7.67	1.55/39.4
191640066	SC-230-14	191640317	SC-230-14T	1/4	.265/6.73	.54/13.7	3.02/7.67	1.55/39.4
191640067	SC-230-56	191640318	SC-230-56T	5/16	.328/8.33	.54/13.7	3.02/7.67	1.55/39.4
191640068	SC-240-38	191640857	SC-240-38T	3/8	.390/9.91	.60/15.2	3.85/9.78	1.55/39.4
191640058	SC-201-12	---	---	1/2	.515/13.08	.76/19.3	---	1.87/47.5



# SALES DRAWING

## NOTES:

- ① TERMINAL MATERIAL: COPPER ALLOY
- ② FINISH: ELECTRO TIN PLATE.
- ③ INSULATION MATERIAL: HEAT SHRINKABLE TUBING WITH HOTMELT ADHESIVE INNER LINER. COLOR: YELLOW
- ④ MWID = MAXIMUM WIRE INSULATION DIAMETER.
- ⑤ PARTS ON TAPE DOUBLE SPACED.

ADD MAT'L NUMBER EC NO: ETC2005-0208 DRW: JMW/RYCK 2005/05/31 CHK: D/ROROSS 2005/05/31 APPR: JPAN/LCK 2005/05/31	QUALITY SYMBOLS 	GENERAL TOLERANCES (UNLESS SPECIFIED)		DIMENSION STYLE IN/MM		SCALE ---	DESIGN UNITS INCH	THIRD ANGLE PROJECTION
		4 PLACES ± ---	± ---	mm	INCH	DRAWN BY BENDERLE	DATE 2002/09/10	TITLE RING TONGUE TERMINAL PERMA-SEAL NIAC 12-10 AWG
		3 PLACES ± ---	± ---			CHECKED BY HBEITZEL	DATE 2002/09/10	MOLEX INCORPORATED
		2 PLACES ± ---	± ---			APPROVED BY RDEROSS	DATE 2002/09/10	
1 PLACE ± ---	± ---	ANGULAR ± ---°		DRAFT WHERE APPLICABLE MUST REMAIN WITHIN DIMENSIONS		SEE CHART	SD-19164-041	SHEET NO. 1 OF 1