



Chipsmall Limited consists of a professional team with an average of over 10 year of expertise in the distribution of electronic components. Based in Hongkong, we have already established firm and mutual-benefit business relationships with customers from,Europe,America and south Asia,supplying obsolete and hard-to-find components to meet their specific needs.

With the principle of "Quality Parts,Customers Priority,Honest Operation,and Considerate Service",our business mainly focus on the distribution of electronic components. Line cards we deal with include Microchip,ALPS,ROHM,Xilinx,Pulse,ON,Everlight and Freescale. Main products comprise IC,Modules,Potentiometer,IC Socket,Relay,Connector.Our parts cover such applications as commercial,industrial, and automotives areas.

We are looking forward to setting up business relationship with you and hope to provide you with the best service and solution. Let us make a better world for our industry!



Contact us

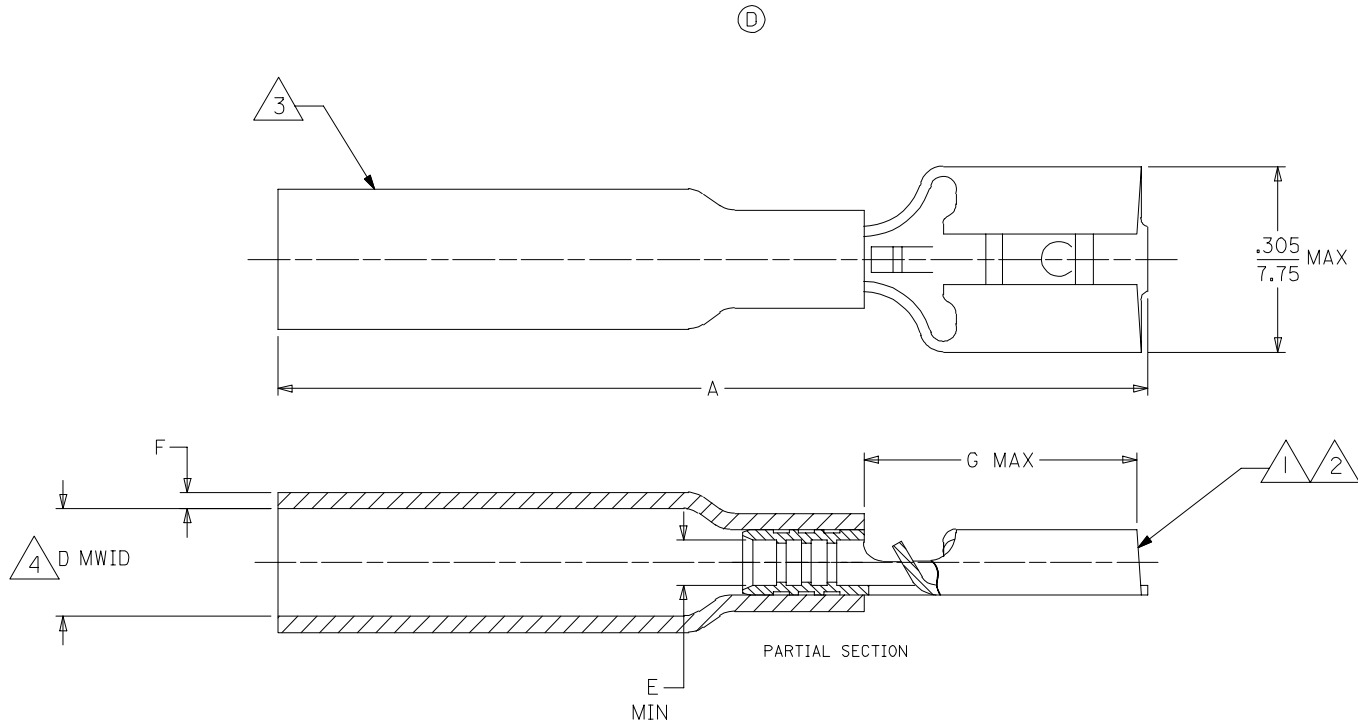
Tel: +86-755-8981 8866 Fax: +86-755-8427 6832

Email & Skype: info@chipsmall.com Web: www.chipsmall.com

Address: A1208, Overseas Decoration Building, #122 Zhenhua RD., Futian, Shenzhen, China



MATERIAL NUMBER	ENGINEERING MATERIAL	WIRE SIZE AWG	FITS MALE TABE	PERMA-SEAL COLOR	STOCK THICKNESS	A	D ±.010/0.25	E MIN	F MIN	G MAX
191640012	SAA-2140	22-18	.250 X .032	RED	.016/0.40	1.38/35.1	.235/5.97	.060/1.52	.025/0.64	.39/9.9
191640047	SBB-2141	16-14	.250 X .032	BLUE	.016/0.40	1.35/34.3	.235/5.97	.082/2.08	.029/0.74	.39/9.9
191640059	SC-2143	12-10	.250 X .032	YELLOW	.018/0.46	1.36/34.5	.310/7.62	.148/3.76	.029/0.74	.45/11.4



NOTES:

1. TERMINAL MATERIAL: BRASS
SEE TABLE FOR THICKNESS.
2. FINISH: ELECTRO TIN PLATE.
3. INSULATION MATERIAL: HEAT SHRINKABLE
TUBING WITH HOTMELT ADHESIVE INNER LINER.
COLOR: SEE CHART.
4. MWID = MAXIMUM WIRE INSULATION DIAMETER.

CHANGED DIM "D"	EC NO: ETC2006-0154	DRW:NASAYDEH 2005/12/21	CHKD: ILOMASTRO 2005/12/21	APPR: JPAMLIK 2005/12/21	DESCRIPTION	QUALITY SYMBOLS	GENERAL TOLERANCES (UNLESS SPECIFIED)		DIMENSION STYLE		SCALE	DESIGN UNITS	THIRD ANGLE PROJECTION
							mm	INCH	IN/MM		---	INCH	
						▽=0	4 PLACES ± --- ± ---	BRE	DATE	TITLE			
						▽=0	3 PLACES ± --- ±.005	CHECKED BY	DATE	FEMALE QD PERMA-SEAL			
							2 PLACES ± 0.13 ±.01	HEB	DATE	MOLEX INCORPORATED			
							1 PLACE ± 0.25 ± ---	APPROVED BY	DATE	SD-19164-040			
							ANGULAR ±1/2°	RWD	DATE	SHEET NO.			
							DRAFT WHERE APPLICABLE MUST REMAIN WITHIN DIMENSIONS	MATERIAL NO.	DOCUMENT NO.	1 OF 1			
								SEE CHART		THIS DRAWING CONTAINS INFORMATION THAT IS PROPRIETARY TO MOLEX INCORPORATED AND SHOULD NOT BE USED WITHOUT WRITTEN PERMISSION			