



Chipsmall Limited consists of a professional team with an average of over 10 year of expertise in the distribution of electronic components. Based in Hongkong, we have already established firm and mutual-benefit business relationships with customers from,Europe,America and south Asia,supplying obsolete and hard-to-find components to meet their specific needs.

With the principle of “Quality Parts,Customers Priority,Honest Operation,and Considerate Service”,our business mainly focus on the distribution of electronic components. Line cards we deal with include Microchip,ALPS,ROHM,Xilinx,Pulse,ON,Everlight and Freescale. Main products comprise IC,Modules,Potentiometer,IC Socket,Relay,Connector.Our parts cover such applications as commercial,industrial, and automotives areas.

We are looking forward to setting up business relationship with you and hope to provide you with the best service and solution. Let us make a better world for our industry!



## Contact us

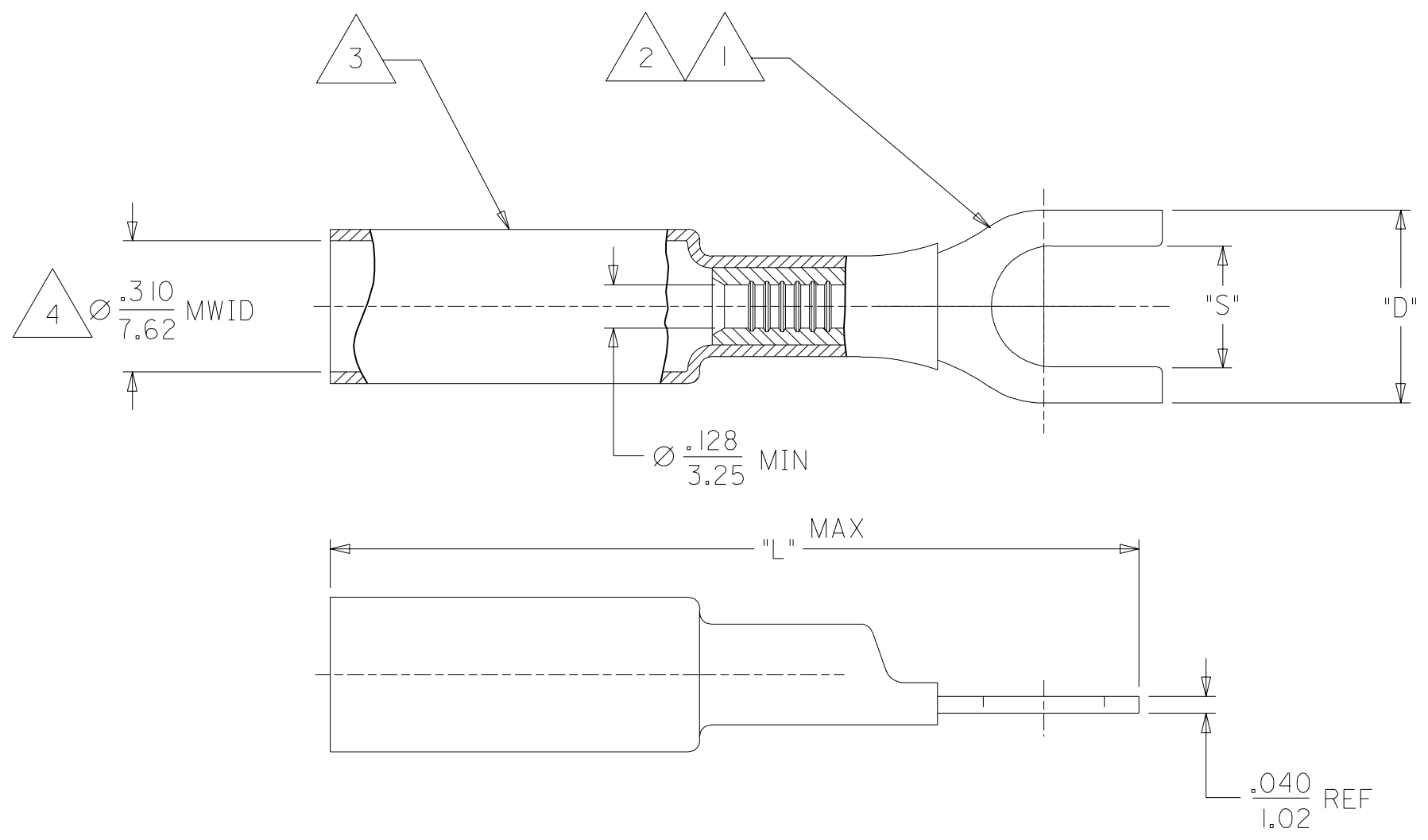
Tel: +86-755-8981 8866 Fax: +86-755-8427 6832

Email & Skype: info@chipsmall.com Web: www.chipsmall.com

Address: A1208, Overseas Decoration Building, #122 Zhenhua RD., Futian, Shenzhen, China



| MATERIAL NUMBER | ENGINEERING NUMBER | STUD SIZE | SLOT "S" $\frac{\pm 0.10}{\pm 0.25}$ | "D" MAX  | "L" MAX   |
|-----------------|--------------------|-----------|--------------------------------------|----------|-----------|
| 191640069       | SC-241-06          | #6        | .146/3.71                            | .39/9.9  | 1.39/35.3 |
| 191640070       | SC-241-08          | #8        | .173/4.39                            | .39/9.9  | 1.39/35.3 |
| 191640072       | SC-268-10          | #10       | .198/5.03                            | .54/13.7 | 1.57/39.9 |
| 191640073       | SC-268-14          | 1/4       | .265/6.73                            | .54/13.7 | 1.57/39.9 |



NOTES:

- 1. TERMINAL MATERIAL: COPPER ALLOY
- 2. FINISH: ELECTRO TIN PLATE.
- 3. INSULATION MATERIAL: HEAT SHRINKABLE TUBING WITH HOTMELT ADHESIVE INNER LINER. COLOR: YELLOW
- 4. MWID = MAXIMUM WIRE INSULATION DIAMETER.

SALES DRAWING

|   |                      |  |  |   |  |   |                               |
|---|----------------------|--|--|---|--|---|-------------------------------|
| NEW RELEASE<br>EC NO. ETC2003-0079<br>DRWN: BRE 02/12/19<br>CHK: HEB 02/12/19<br>APPR: RWD 02/12/19 | DESCRIPTION<br>REV A | QUALITY SYMBOLS<br>MAJOR $\blacktriangledown = 0$<br>CRITICAL $\blacktriangle = 0$ | GENERAL TOLERANCES:<br>(UNLESS SPECIFIED)  | SCALE NO: NE<br>DESIGN UNITS <input type="checkbox"/> mm <input checked="" type="checkbox"/> INCH | THIRD ANGLE PROJECTION <input checked="" type="checkbox"/> | DIMENSIONS: <input type="checkbox"/> mm <input checked="" type="checkbox"/> INCH <input type="checkbox"/> mm ONLY | SHT REV<br>REVISE ON CAD ONLY |
|   |                      | DRAWN BY & DATE<br>BRE 02/08/20  | TITLE: SPADE TERMINAL PERMA-SEAL 10-12 AWG   |   |  |   |                               |
|   |                      | CHECKED BY & DATE<br>HEB 02/08/20  | MOLEX INCORPORATED   |   |  |   |                               |
|   |                      | APPROVED BY & DATE<br>RWD 02/08/20   | CAD FILENAME<br>SD-19164-048.DGN   | MATERIAL NO. SEE CHART<br>DRAWING NO. SD-19164-048<br>SHEET NO. 1 OF 1                            |  |   |                               |
| DRAFT WHERE APPLICABLE MUST REMAIN WITHIN DIMENSIONS  |                      |  | THIS DRAWING CONTAINS INFORMATION THAT IS PROPRIETARY TO MOLEX INCORPORATED AND SHOULD NOT BE USED WITHOUT WRITTEN PERMISSION. |   |  | SIZE B  |                               |