



Chipsmall Limited consists of a professional team with an average of over 10 year of expertise in the distribution of electronic components. Based in Hongkong, we have already established firm and mutual-benefit business relationships with customers from,Europe,America and south Asia,supplying obsolete and hard-to-find components to meet their specific needs.

With the principle of “Quality Parts,Customers Priority,Honest Operation,and Considerate Service”,our business mainly focus on the distribution of electronic components. Line cards we deal with include Microchip,ALPS,ROHM,Xilinx,Pulse,ON,Everlight and Freescale. Main products comprise IC,Modules,Potentiometer,IC Socket,Relay,Connector.Our parts cover such applications as commercial,industrial, and automotives areas.

We are looking forward to setting up business relationship with you and hope to provide you with the best service and solution. Let us make a better world for our industry!



Contact us

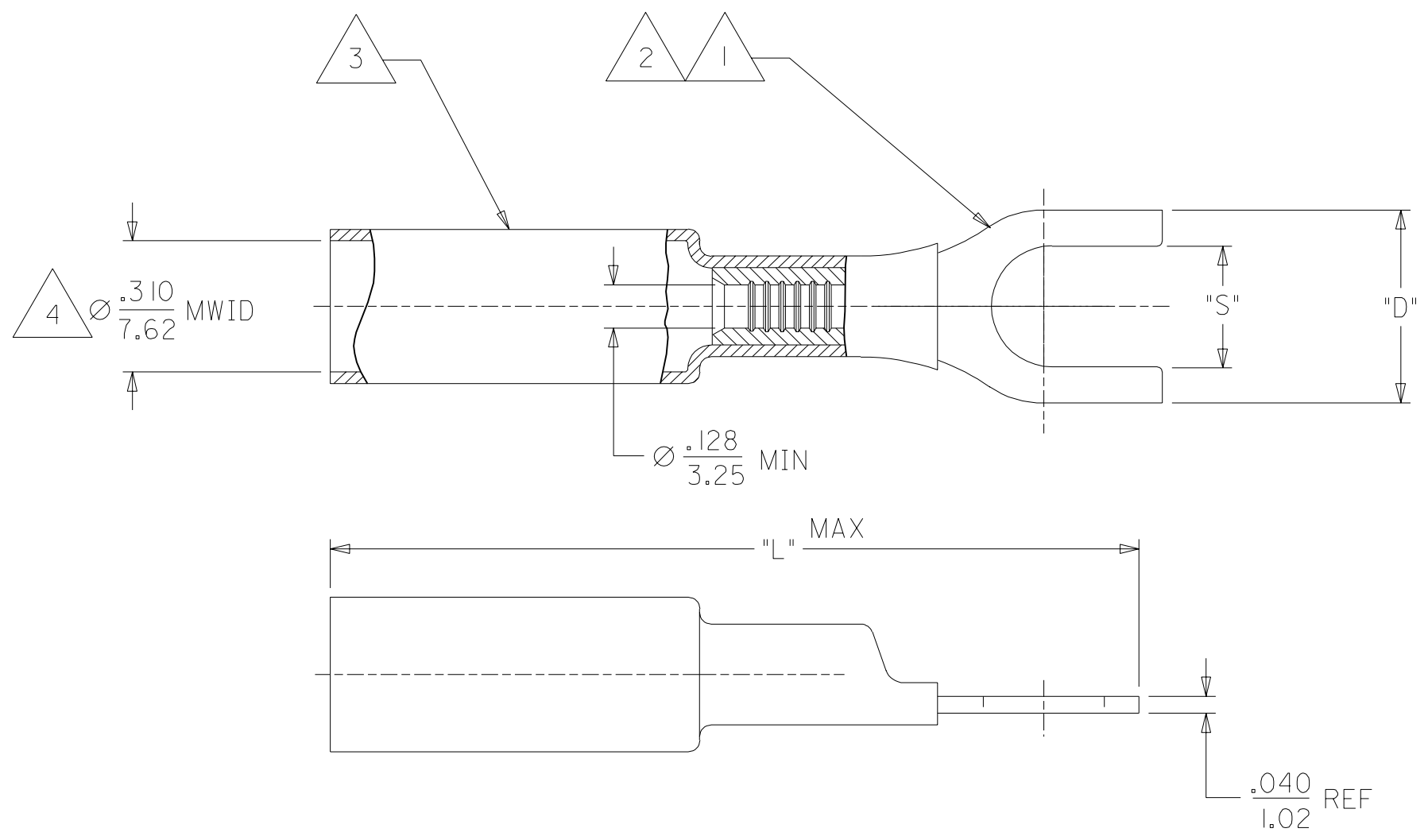
Tel: +86-755-8981 8866 Fax: +86-755-8427 6832

Email & Skype: info@chipsmall.com Web: www.chipsmall.com

Address: A1208, Overseas Decoration Building, #122 Zhenhua RD., Futian, Shenzhen, China



MATERIAL NUMBER	ENGINEERING NUMBER	STUD SIZE	SLOT "S" $\frac{\pm 0.10}{\pm 0.25}$	"D" MAX	"L" MAX
191640069	SC-241-06	#6	.146/3.71	.39/9.9	1.39/35.3
191640070	SC-241-08	#8	.173/4.39	.39/9.9	1.39/35.3
191640072	SC-268-10	#10	.198/5.03	.54/13.7	1.57/39.9
191640073	SC-268-14	1/4	.265/6.73	.54/13.7	1.57/39.9



NOTES:

- 1. TERMINAL MATERIAL: COPPER ALLOY
- 2. FINISH: ELECTRO TIN PLATE.
- 3. INSULATION MATERIAL: HEAT SHRINKABLE TUBING WITH HOTMELT ADHESIVE INNER LINER. COLOR: YELLOW
- 4. MWID = MAXIMUM WIRE INSULATION DIAMETER.

SALES DRAWING

NEW RELEASE EC NO. ETC2003-0079 DRWN: BRE 02/12/19 CHK: HEB 02/12/19 APPR: RWD 02/12/19	QUALITY SYMBOLS	GENERAL TOLERANCES: (UNLESS SPECIFIED)		SCALE NO: NE	DESIGN UNITS <input type="checkbox"/> mm <input checked="" type="checkbox"/> INCH	THIRD ANGLE PROJECTION <input checked="" type="checkbox"/> THIRD ANGLE <input type="checkbox"/> FIRST ANGLE	DIMENSIONS: <input type="checkbox"/> mm <input checked="" type="checkbox"/> INCH <input type="checkbox"/> mm ONLY	SHT	REV
	MAJOR $\blacktriangledown = 0$	mm	INCH	DRAWN BY & DATE		TITLE: SPADE TERMINAL			
	CRITICAL $\blacktriangle = 0$	4 PLACES $\pm 0.$	$\pm .$	BRE 02/08/20		PERMA-SEAL			
		3 PLACES $\pm 0.$	$\pm .$	CHECKED BY & DATE		10-12 AWG			
	2 PLACES $\pm 0.$	$\pm .$	APPROVED BY & DATE		MOLEX INCORPORATED				
	1 PLACE $\pm 0.$	$\pm .$	RWD 02/08/20		CAD FILENAME		MATERIAL NO.	DRAWING NO.	SHEET NO.
	ANGULAR: \pm \circ		SD-19164-048.DGN		SEE CHART		SD-19164-048	1 OF 1	SIZE B
	DRAFT WHERE APPLICABLE MUST REMAIN WITHIN DIMENSIONS								
THIS DRAWING CONTAINS INFORMATION THAT IS PROPRIETARY TO MOLEX INCORPORATED AND SHOULD NOT BE USED WITHOUT WRITTEN PERMISSION.									