



Chipsmall Limited consists of a professional team with an average of over 10 year of expertise in the distribution of electronic components. Based in Hongkong, we have already established firm and mutual-benefit business relationships with customers from,Europe,America and south Asia,supplying obsolete and hard-to-find components to meet their specific needs.

With the principle of “Quality Parts,Customers Priority,Honest Operation,and Considerate Service”,our business mainly focus on the distribution of electronic components. Line cards we deal with include Microchip,ALPS,ROHM,Xilinx,Pulse,ON,Everlight and Freescale. Main products comprise IC,Modules,Potentiometer,IC Socket,Relay,Connector.Our parts cover such applications as commercial,industrial, and automotives areas.

We are looking forward to setting up business relationship with you and hope to provide you with the best service and solution. Let us make a better world for our industry!



Contact us

Tel: +86-755-8981 8866 Fax: +86-755-8427 6832

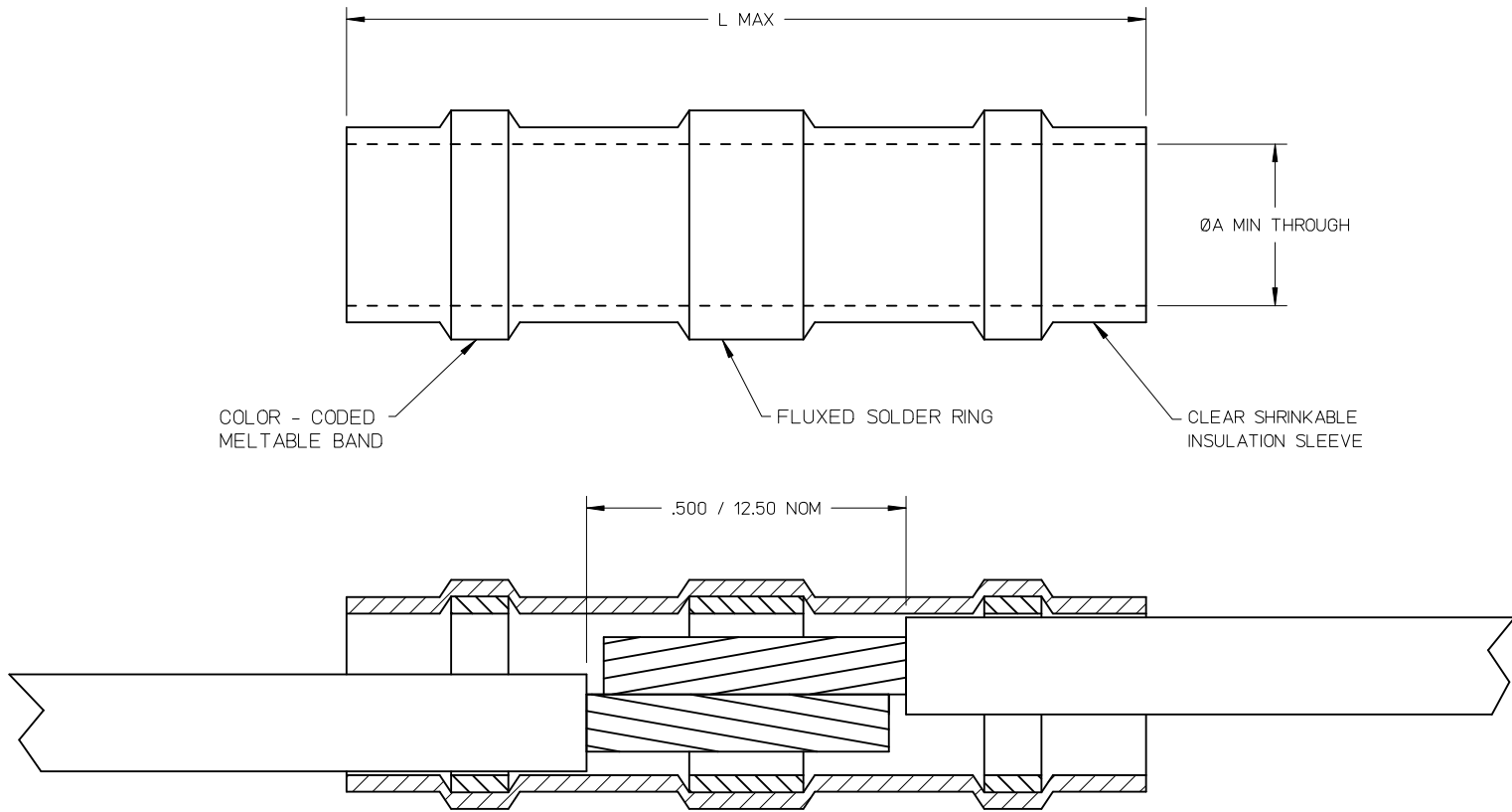
Email & Skype: info@chipsmall.com Web: www.chipsmall.com

Address: A1208, Overseas Decoration Building, #122 Zhenhua RD., Futian, Shenzhen, China



6	5	4	3	2	1
MATERIAL NO.	ENGINEERING P/N	TOTAL CIRCULAR MILL AREA (CMA)	COLOR CODE	ØA MIN	LENGTH "L" ± .025 / 0.64
191640162	SSC-2624	450 MIN / 1500 MAX	CLEAR	.065 / 1.7	1.025 / 26.0
191640163	SSC-2218	1250 MIN / 3500 MAX	RED	.105 / 2.7	1.655 / 42.0
191640164	SSC-1614	2500 MIN / 7200 MAX	BLUE	.180 / 4.5	1.655 / 42.0
191640165	SSC-1210	6100 MIN / 19000 MAX	YELLOW	.235 / 6.0	1.655 / 42.0

ⓓ



SALES DRAWING

NOTES:
 ⓓ 1. PARTS ARE NOT RoHS COMPLIANT

RMV ROHS COMPLNC EC NO: WNA2009-0740 DRWN:ETHRODAHL 2009/05/11 CHKD:JMACNEIL 2009/05/11 APPR:JMACNEIL 2009/05/12	QUALITY SYMBOLS	GENERAL TOLERANCES (UNLESS SPECIFIED)		DIMENSION STYLE IN/MM		SCALE ---	DESIGN UNITS INCH	THIRD ANGLE PROJECTION	
	▼=0 ∇=0		mm	INCH	DRAWN BY EMF	DATE 01/20/94	TITLE SOLDER SPLICE CONNECTOR		
		4 PLACES ± ---	± ---	3 PLACES ± ---	± .005	CHECKED BY			
		2 PLACES ± 0.13	± .010	1 PLACE ± 0.25	± ---	APPROVED BY	DATE	MOLEX INCORPORATED	
		ANGULAR ± ---°		MATERIAL NO. SEE CHART		DOCUMENT NO. SD-19164-074		SHEET NO. 1 OF 1	
		DRAFT WHERE APPLICABLE MUST REMAIN WITHIN DIMENSIONS		THIS DRAWING CONTAINS INFORMATION THAT IS PROPRIETARY TO MOLEX INCORPORATED AND SHOULD NOT BE USED WITHOUT WRITTEN PERMISSION					