



Chipsmall Limited consists of a professional team with an average of over 10 year of expertise in the distribution of electronic components. Based in Hongkong, we have already established firm and mutual-benefit business relationships with customers from,Europe,America and south Asia,supplying obsolete and hard-to-find components to meet their specific needs.

With the principle of "Quality Parts,Customers Priority,Honest Operation,and Considerate Service",our business mainly focus on the distribution of electronic components. Line cards we deal with include Microchip,ALPS,ROHM,Xilinx,Pulse,ON,Everlight and Freescale. Main products comprise IC,Modules,Potentiometer,IC Socket,Relay,Connector.Our parts cover such applications as commercial,industrial, and automotives areas.

We are looking forward to setting up business relationship with you and hope to provide you with the best service and solution. Let us make a better world for our industry!



Contact us

Tel: +86-755-8981 8866 Fax: +86-755-8427 6832

Email & Skype: info@chipsmall.com Web: www.chipsmall.com

Address: A1208, Overseas Decoration Building, #122 Zhenhua RD., Futian, Shenzhen, China



4

3

2

1

THIS DRAWING IS UNPUBLISHED.

RELEASED FOR PUBLICATION

20

© COPYRIGHT 20

BY -

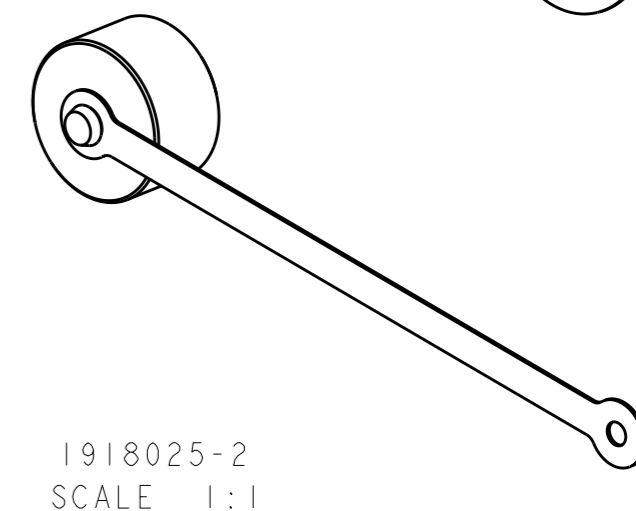
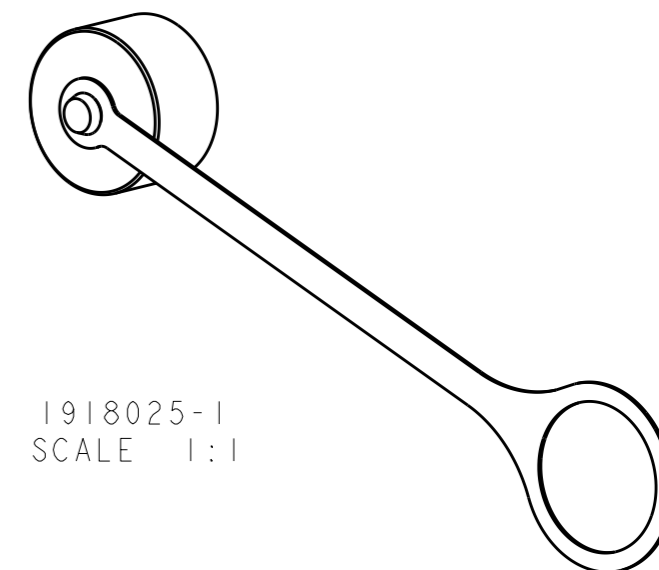
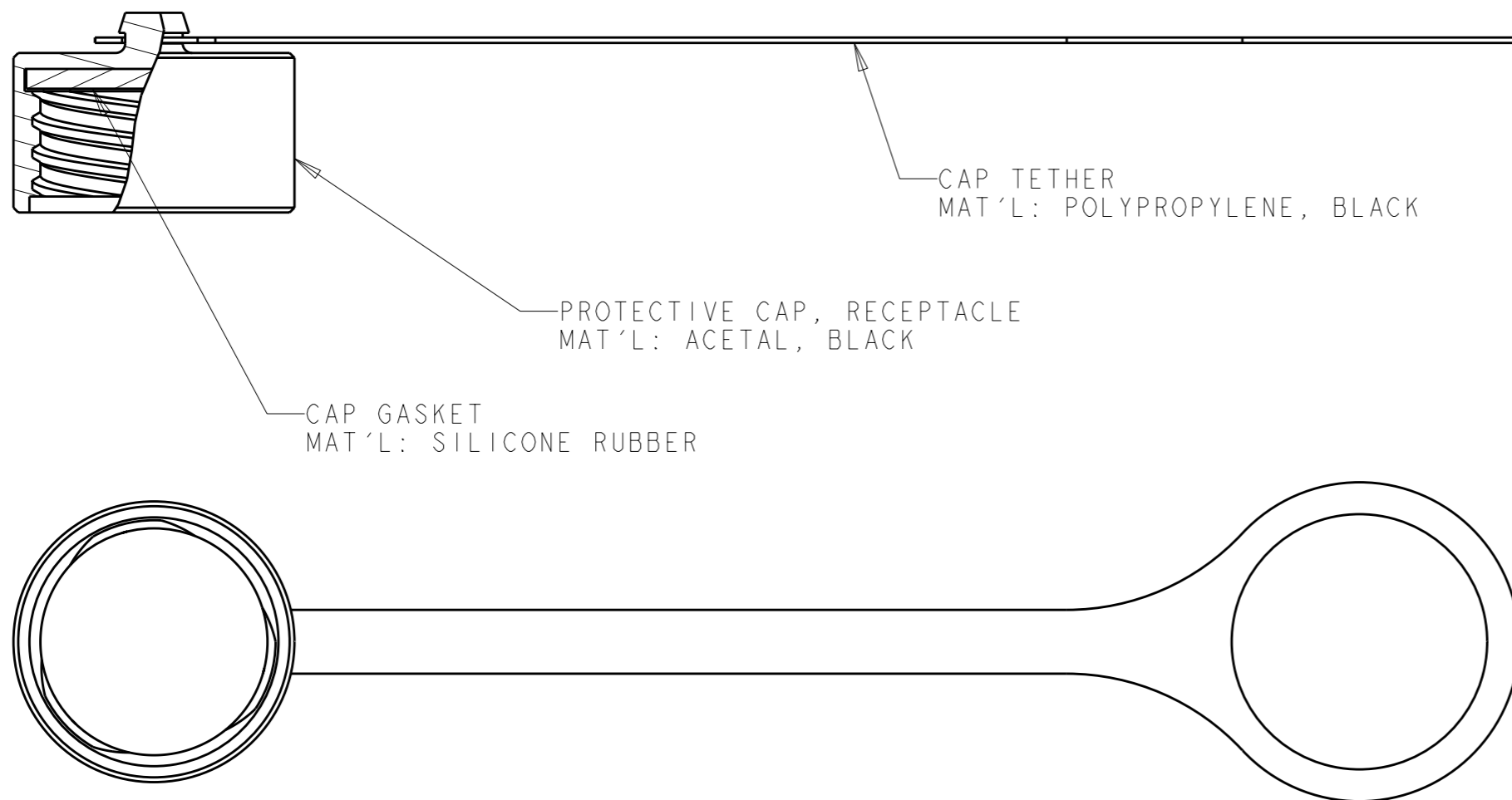
ALL RIGHTS RESERVED.

LOC
CE


DIST
16

REVISIONS

P	LTR	DESCRIPTION	DATE	DWN	APVD
	A	ECR-08-024899	03OCT2008	KG	DW
	B	ECR-11-013789	06JUL2011	KG	DW



FLANGE MOUNT, SIZE 15	1918025-4
JAM NUT, SIZE 15	1918025-3
FLANGE MOUNT, SIZE 11	1918025-2
JAM NUT, SIZE 11	1918025-1
RECEPTACLE APPLICATION	PART NUMBER

THIS DRAWING IS A CONTROLLED DOCUMENT.		DWN K. GLATFELTER 01NOV2005	 TE Connectivity	
DIMENSIONS: mm		CHK D. WERTMAN 08NOV2005		
TOLERANCES UNLESS OTHERWISE SPECIFIED:		APVD D. WERTMAN 08NOV2005	NAME PROTECTIVE COVER, RECEPTACLE, STYLE 38999	
0 PLC ±. 1 PLC ±. 2 PLC ±. 3 PLC ±. 4 PLC ±. ANGLES ±. FINISH -		PRODUCT SPEC -	SIZE A3	
MATERIAL AS LISTED		APPLICATION SPEC -	CAGE CODE 00779	DRAWING NO 1918025
		WEIGHT -	RESTRICTED TO -	
		CUSTOMER DRAWING	SCALE 2:1	SHEET 1 OF 1 REV B