



Chipsmall Limited consists of a professional team with an average of over 10 year of expertise in the distribution of electronic components. Based in Hongkong, we have already established firm and mutual-benefit business relationships with customers from,Europe,America and south Asia,supplying obsolete and hard-to-find components to meet their specific needs.

With the principle of “Quality Parts,Customers Priority,Honest Operation,and Considerate Service”,our business mainly focus on the distribution of electronic components. Line cards we deal with include Microchip,ALPS,ROHM,Xilinx,Pulse,ON,Everlight and Freescale. Main products comprise IC,Modules,Potentiometer,IC Socket,Relay,Connector.Our parts cover such applications as commercial,industrial, and automotives areas.

We are looking forward to setting up business relationship with you and hope to provide you with the best service and solution. Let us make a better world for our industry!



## Contact us

Tel: +86-755-8981 8866 Fax: +86-755-8427 6832

Email & Skype: info@chipsmall.com Web: www.chipsmall.com

Address: A1208, Overseas Decoration Building, #122 Zhenhua RD., Futian, Shenzhen, China



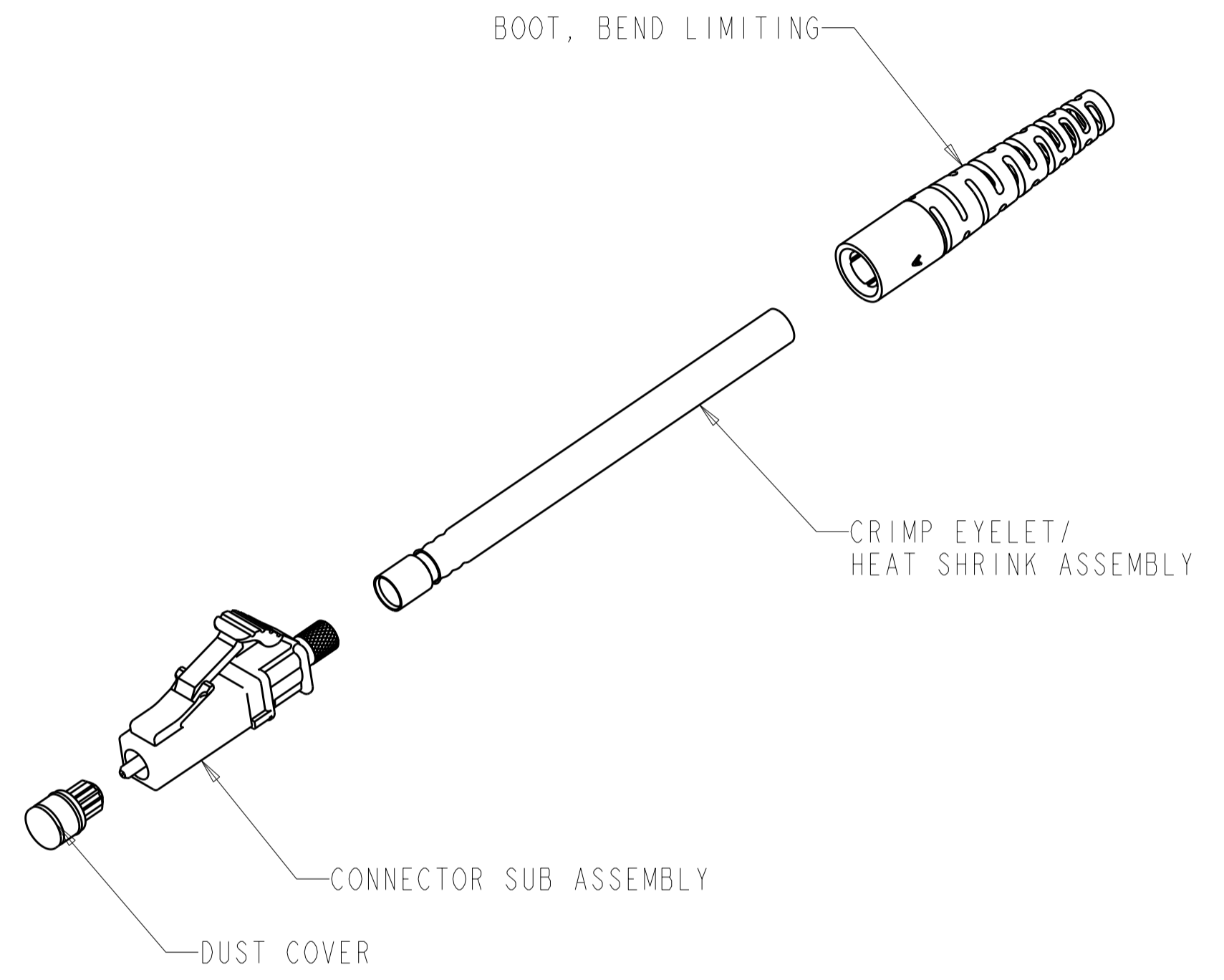
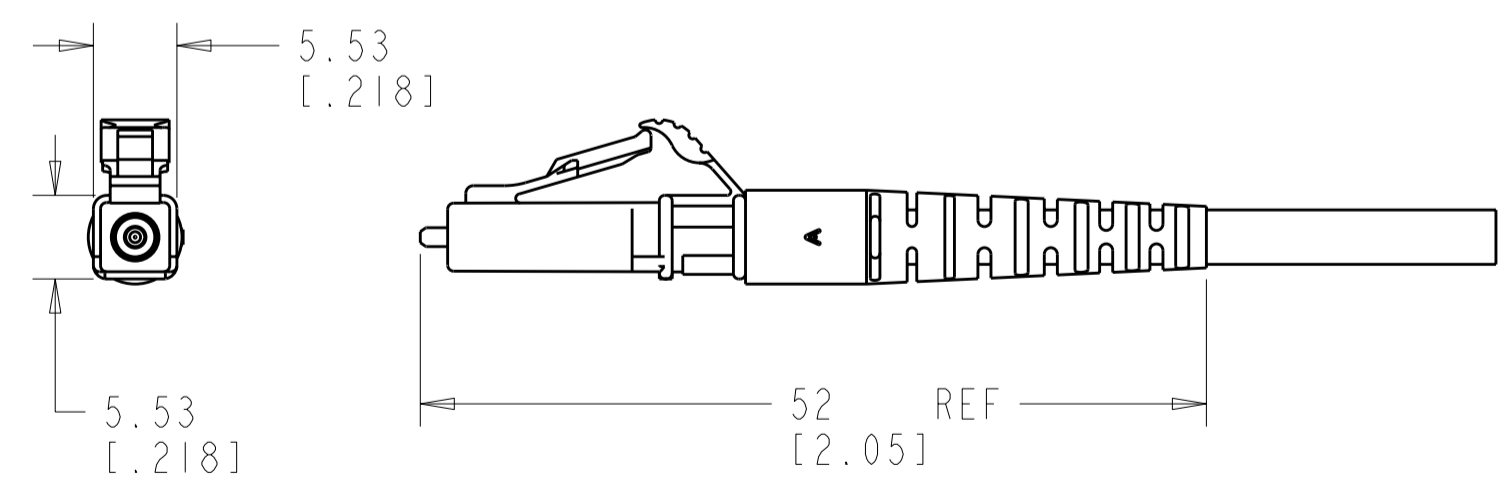
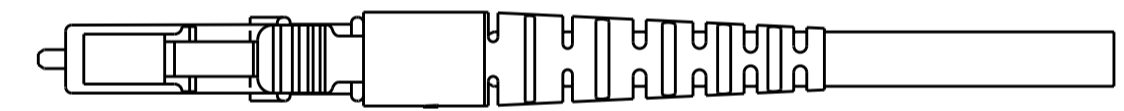
THIS DRAWING IS UNPUBLISHED. RELEASED FOR PUBLICATION  
 © COPYRIGHT BY TYCO ELECTRONICS CORPORATION. ALL INTERNATIONAL RIGHTS RESERVED.

LOC	DIST	REVISIONS			
P	LTR	DESCRIPTION	DATE	DWN	APVD
HG	-				
	A	ECO-07-017712	07JUL31	DHR	DHR
	B	REV PER ECR-10-010066	19MAY2010	IL	CT

1 MATERIAL: PROTECTIVE COVER: TPE, COLOR:BLACK, UL 94 HB. \*  
 FERRULE SUB ASSEMBLY: ZIRCONIA/ALUM ALLOY.  
 COMPRESSION SPRING: STAINLESS STEEL.  
 FRONT HOUSING: PPSU, COLOR:BEIGE, UL 94 V-0. \*  
 REAR BODY: ALUM ALLOY.  
 BOOT: PP, COLOR:BEIGE, UL 94 V-0. \*  
 CRIMP EYELET/HEAT SHRINK ASSY: ALUM. ALLOY, HEAT SHRINK: POLYOLEFIN, UL VW-1.  
 \*RATED AT QUALIFYING THICKNESS.

2 BULK PACKAGED

3. THIS IS A NON-PULL PROOF LC CONNECTOR.  
 IT IS DESIGNED FOR USE WITH TIGHT CONSTRUCTION OPTICAL CABLE.  
 UNDER LOADS YOU MAY SEE ENDFACE ABRASIONS.



2	1918153-2
	1918153-1
PART NUMBER	

THIS DRAWING IS A CONTROLLED DOCUMENT FOR TYCO ELECTRONICS CORPORATION. IT IS SUBJECT TO CHANGE AND THE CONTROLLING ENGINEERING ORGANIZATION SHOULD BE CONTACTED FOR THE LATEST REVISION.		DWN E. HOPKINS 06 JAN 2005	Tyco Electronics Corporation Shanghai, China	
DIMENSIONS: mm [ INCHES ]		CHK D. ROHDE 06 JAN 2005	NAME CONNECTOR KIT, LC, SIMPLEX MM, JUMPER, TIGHT JACKET STYLE, 2.4mm	
TOLERANCES UNLESS OTHERWISE SPECIFIED: 0 PLC ± 1 PLC ±0.1/[0.004] 2 PLC ±0.01/[0.0004] 3 PLC ± 4 PLC ± ANGLES ± FINISH ±		APVD D. BAECHTLE 06 JAN 2005	PRODUCT SPEC -	RESTRICTED TO -
MATERIAL 1		APPLICATION SPEC -	WEIGHT -	SIZE A2
CUSTOMER DRAWING		SCALE 3:1	DRAWING NO. C-1918153	SHEET 1 OF 1 REV B