



Chipsmall Limited consists of a professional team with an average of over 10 year of expertise in the distribution of electronic components. Based in Hongkong, we have already established firm and mutual-benefit business relationships with customers from,Europe,America and south Asia,supplying obsolete and hard-to-find components to meet their specific needs.

With the principle of “Quality Parts,Customers Priority,Honest Operation,and Considerate Service”,our business mainly focus on the distribution of electronic components. Line cards we deal with include Microchip,ALPS,ROHM,Xilinx,Pulse,ON,Everlight and Freescale. Main products comprise IC,Modules,Potentiometer,IC Socket,Relay,Connector.Our parts cover such applications as commercial,industrial, and automotives areas.

We are looking forward to setting up business relationship with you and hope to provide you with the best service and solution. Let us make a better world for our industry!



Contact us

Tel: +86-755-8981 8866 Fax: +86-755-8427 6832

Email & Skype: info@chipsmall.com Web: www.chipsmall.com

Address: A1208, Overseas Decoration Building, #122 Zhenhua RD., Futian, Shenzhen, China

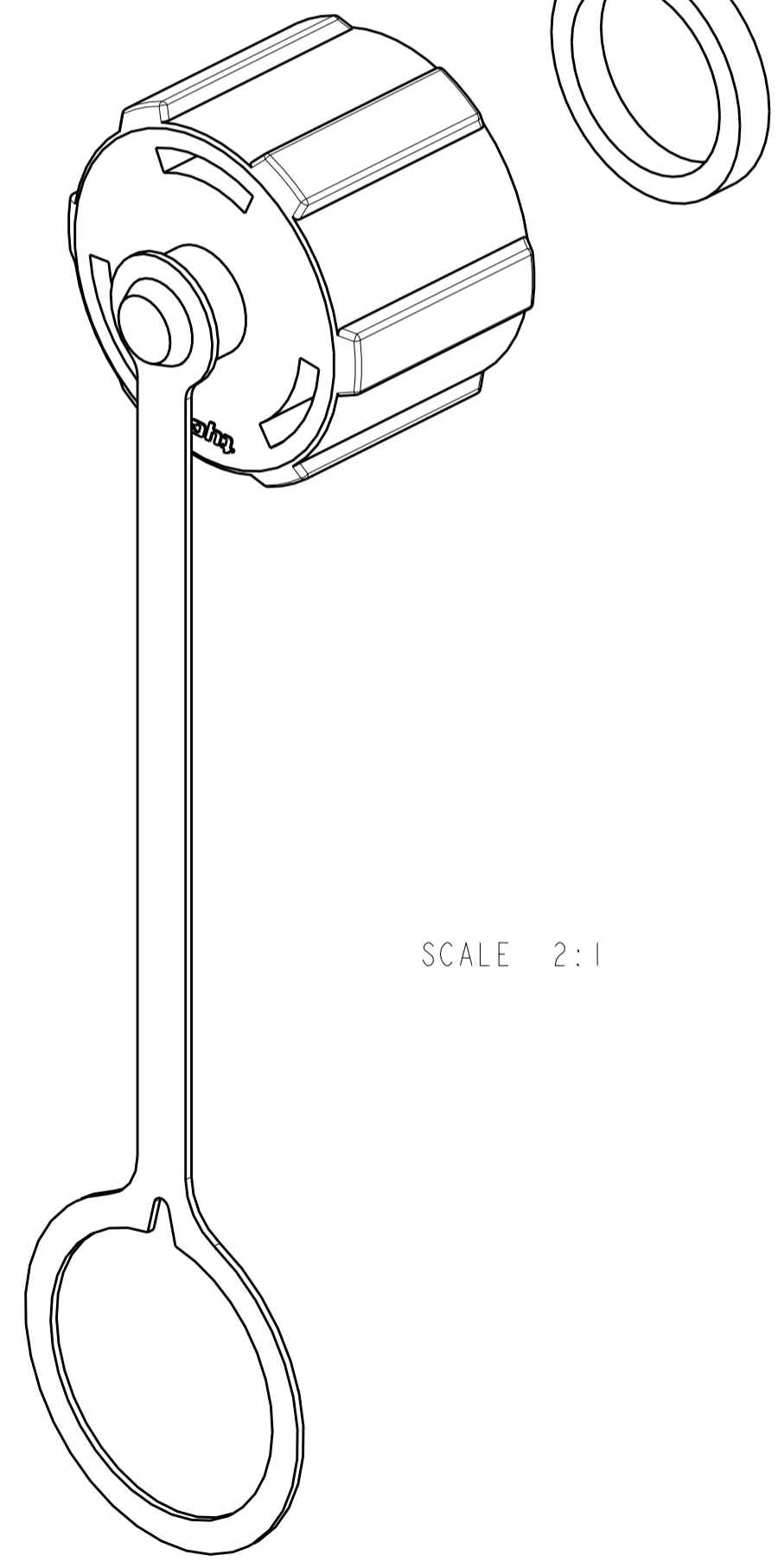


THIS DRAWING IS UNPUBLISHED. RELEASED FOR PUBLICATION
 © COPYRIGHT BY TYCO ELECTRONICS CORPORATION. ALL RIGHTS RESERVED.

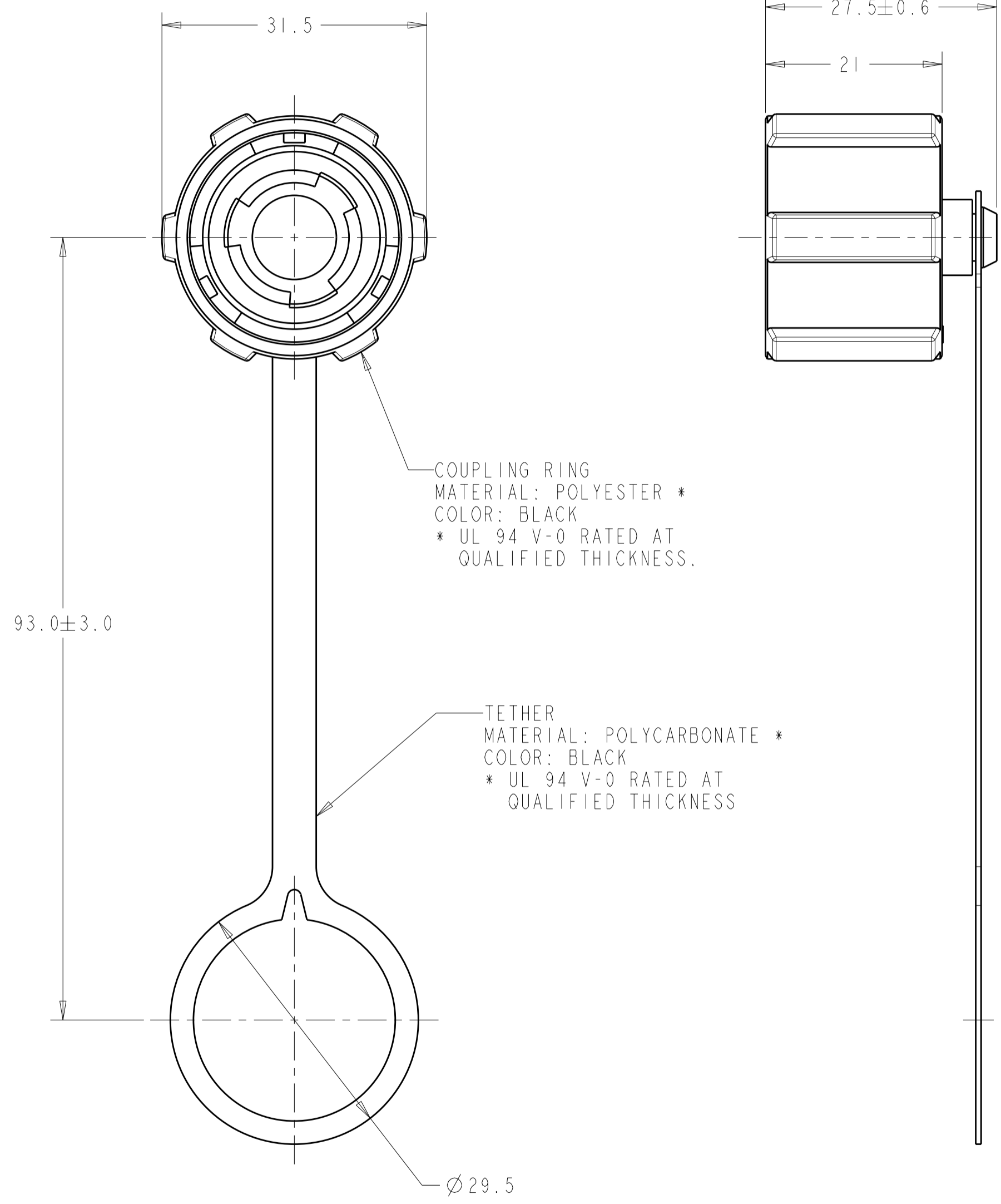
LOC	DIST	REVISIONS			
P	LTR	DESCRIPTION	DATE	DWN	APVD
CE	00	A	REL TO ACTIVE PER ECR-08-029127	IDEC2008	DDE DDE
-	-	-	-	-	-
-	-	-	-	-	-

I. PACKAGED IN POLYBAG.

△ INTERFACIAL SEAL
 MATERIAL: ELASTOMER
 COLOR: RED



SCALE 2:1



COUPLING RING
 MATERIAL: POLYESTER *
 COLOR: BLACK
 * UL 94 V-0 RATED AT
 QUALIFIED THICKNESS.

TETHER
 MATERIAL: POLYCARBONATE *
 COLOR: BLACK
 * UL 94 V-0 RATED AT
 QUALIFIED THICKNESS

∅29.5

1918177-1
 PART NUMBER

<small>THIS DRAWING IS A CONTROLLED DOCUMENT FOR TYCO ELECTRONICS CORPORATION IT IS SUBJECT TO CHANGE AND THE CONTROLLING ENGINEERING ORGANIZATION SHOULD BE CONTACTED FOR THE LATEST REVISION.</small>		DWN 04 JAN 2006 D. ERDMAN CHK 04 JAN 2006 M. GURRERI APVD 04 JAN 2006 D. BAECHTLE	Tyco Electronics Harrisburg, PA 17105-3608
DIMENSIONS: mm 		TOLERANCES UNLESS OTHERWISE SPECIFIED: 0 PLC ±0.3 1 PLC ±0.2 2 PLC ±0.10 3 PLC ± 4 PLC ± ANGLES ±° FINISH	NAME PROTECTIVE COVER ASSEMBLY, RECEPTACLE, SEALED INDUSTRIAL CONNECTOR SIZE A2 CAGE CODE 00779 DRAWING NO. 1918177 RESTRICTED TO - SCALE 2:1 SHEET 1 OF 1 REV A
MATERIAL -		PRODUCT SPEC - APPLICATION SPEC - WEIGHT - CUSTOMER DRAWING	Tyco Electronics logo