



Chipsmall Limited consists of a professional team with an average of over 10 year of expertise in the distribution of electronic components. Based in Hongkong, we have already established firm and mutual-benefit business relationships with customers from,Europe,America and south Asia,supplying obsolete and hard-to-find components to meet their specific needs.

With the principle of “Quality Parts,Customers Priority,Honest Operation,and Considerate Service”,our business mainly focus on the distribution of electronic components. Line cards we deal with include Microchip,ALPS,ROHM,Xilinx,Pulse,ON,Everlight and Freescale. Main products comprise IC,Modules,Potentiometer,IC Socket,Relay,Connector.Our parts cover such applications as commercial,industrial, and automotives areas.

We are looking forward to setting up business relationship with you and hope to provide you with the best service and solution. Let us make a better world for our industry!



## Contact us

Tel: +86-755-8981 8866 Fax: +86-755-8427 6832

Email & Skype: info@chipsmall.com Web: www.chipsmall.com

Address: A1208, Overseas Decoration Building, #122 Zhenhua RD., Futian, Shenzhen, China



THIS DRAWING IS UNPUBLISHED. RELEASED FOR PUBLICATION  
 © COPYRIGHT - ALL RIGHTS RESERVED.

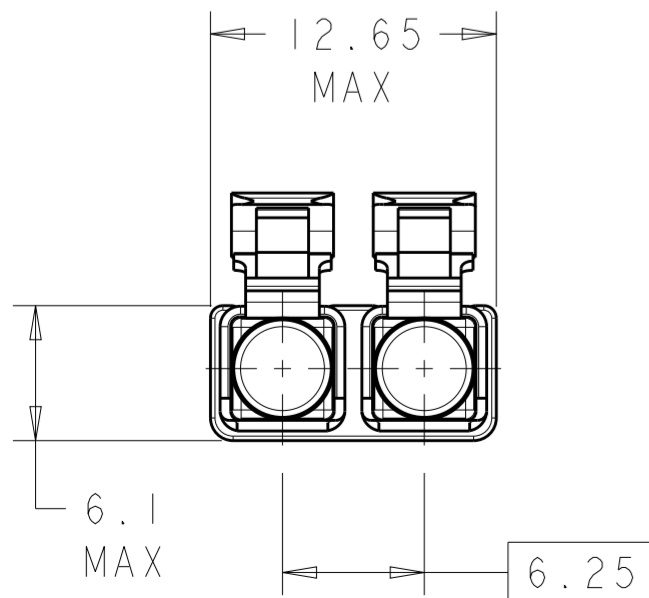
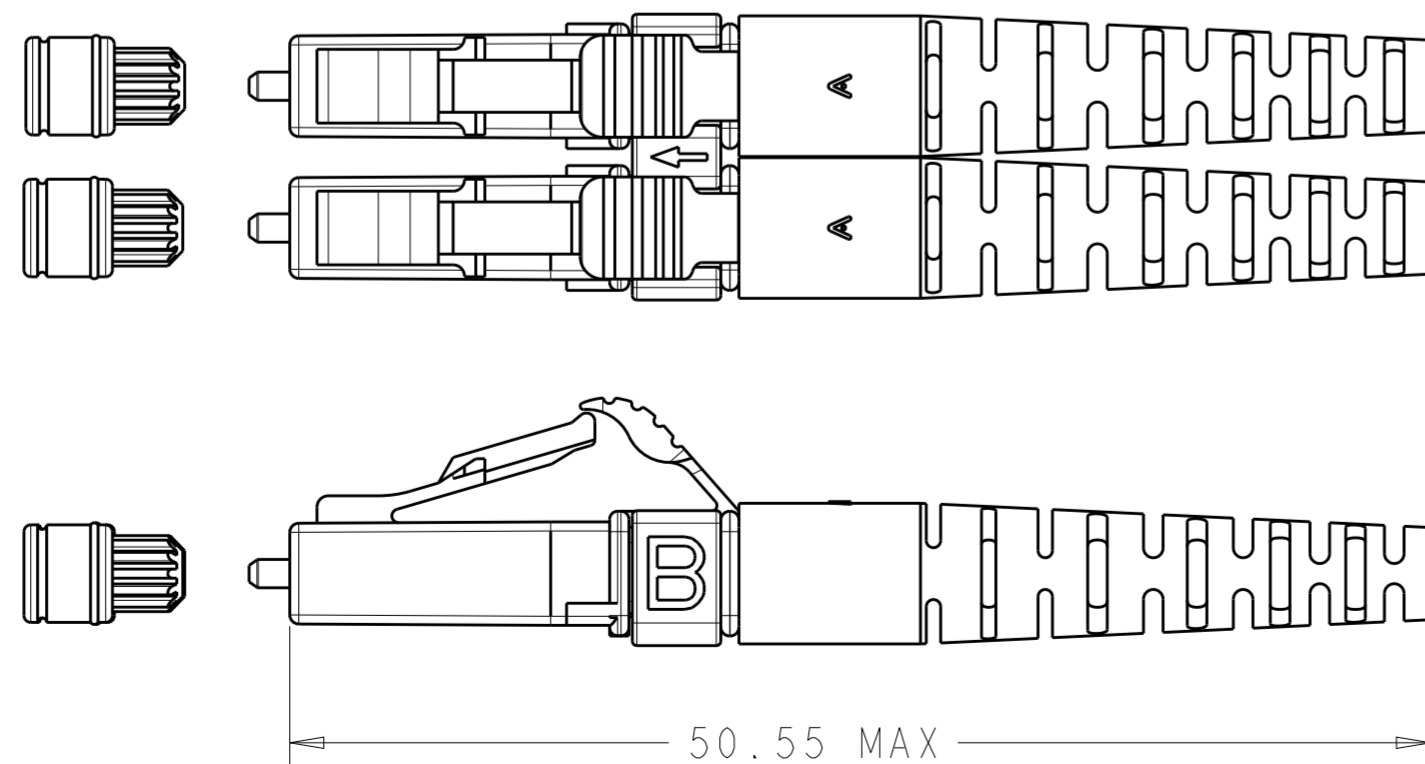
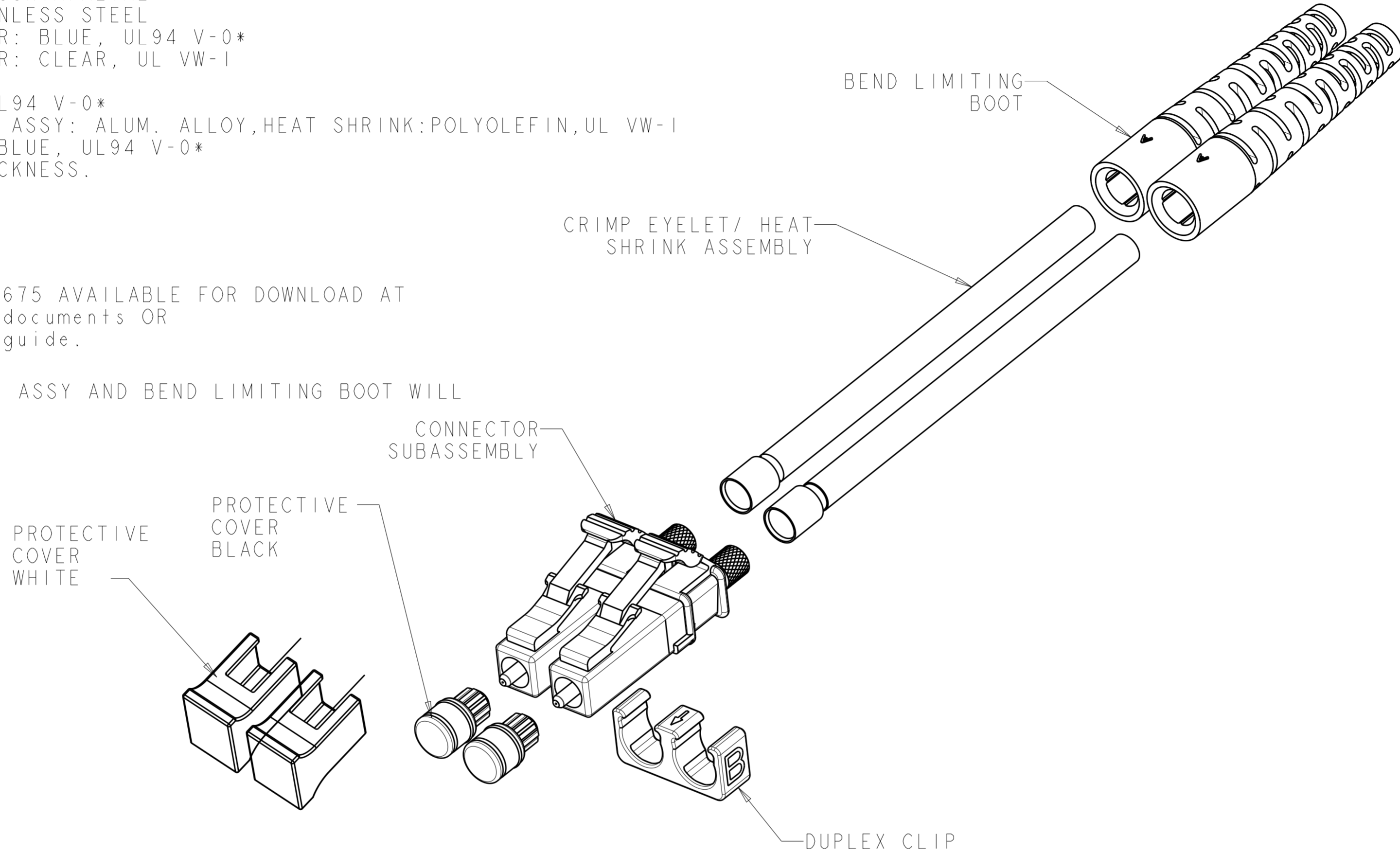
LOC		DIST		REVISIONS			
P	LTR	DESCRIPTION	DATE	DWN	APVD		
	G	REV PER ECR-10-009660	02JUN2010	IL	CT		
	H	REV PER ECR-12-013668	31JUL2012	KZ	RZ		
	J	REV PER ECR-12-016587	24SEP2012	SW	RZ		
	J1	ADD DASH -5	14JAN2013	SW	RZ		

- 1 MATERIAL  
 PROTECTIVE COVER: TPE, COLOR: BLACK, UL94 HB\*  
 OR PP800F-T3AS, COLOR: WHITE, UL94-V0\*  
 FERRULE SUBASSEMBLY: ZIRCONIA/METAL  
 COMPRESSION SPRING: STAINLESS STEEL  
 FRONT HOUSING: PEI, COLOR: BLUE, UL94 V-0\*  
 INNER TUBING: PTFE, COLOR: CLEAR, UL VW-1  
 REAR BODY: METAL  
 BOOT: PP, COLOR: BLUE, UL94 V-0\*  
 CRIMP EYELET/HEAT SHRINK ASSY: ALUM. ALLOY, HEAT SHRINK: POLYOLEFIN, UL VW-1  
 DUPLEX CLIP: PP, COLOR: BLUE, UL94 V-0\*  
 \*RATED AT QUALIFYING THICKNESS.

2 BULK PACKAGED.

3. INSTRUCTION SHEET: 408-8675 AVAILABLE FOR DOWNLOAD AT  
[www.tycoelectronics.com/documents](http://www.tycoelectronics.com/documents) OR  
[www.ampnetconnect.com/foguide](http://www.ampnetconnect.com/foguide).

4 CRIMP EYELET/HEAT SHRINK ASSY AND BEND LIMITING BOOT WILL NOT BE INCLUDED IN -5.



4	2	BLACK	N/A	1919372-5
2	2	WHITE	YELLOW	1919372-4
2	2	BLACK	YELLOW/WHITE	1918372-3
2	2	BLACK	YELLOW	1918372-2
2	2	BLACK	YELLOW	1918372-1
		DUST COVER COLOR	HEAT SHRINK COLOR	PART NUMBER

THIS DRAWING IS A CONTROLLED DOCUMENT.

DWN	B. BRIGGS	24APR2006
CHK	D. ROHDE	24APR2006
APVD	D. BAECHTLE	24APR2006

TE Connectivity

NAME: KIT, CONNECTOR, LC, DUPLEX, SM, 1.6-2.0mm JACKET

SIZE	CAGE CODE	DRAWING NO	RESTRICTED TO
A2	-	G-1918372	-

CUSTOMER DRAWING SCALE 3:1 SHEET 1 OF 1 REV J1