



Chipsmall Limited consists of a professional team with an average of over 10 year of expertise in the distribution of electronic components. Based in Hongkong, we have already established firm and mutual-benefit business relationships with customers from,Europe,America and south Asia,supplying obsolete and hard-to-find components to meet their specific needs.

With the principle of “Quality Parts,Customers Priority,Honest Operation,and Considerate Service”,our business mainly focus on the distribution of electronic components. Line cards we deal with include Microchip,ALPS,ROHM,Xilinx,Pulse,ON,Everlight and Freescale. Main products comprise IC,Modules,Potentiometer,IC Socket,Relay,Connector.Our parts cover such applications as commercial,industrial, and automotives areas.

We are looking forward to setting up business relationship with you and hope to provide you with the best service and solution. Let us make a better world for our industry!



## Contact us

Tel: +86-755-8981 8866 Fax: +86-755-8427 6832

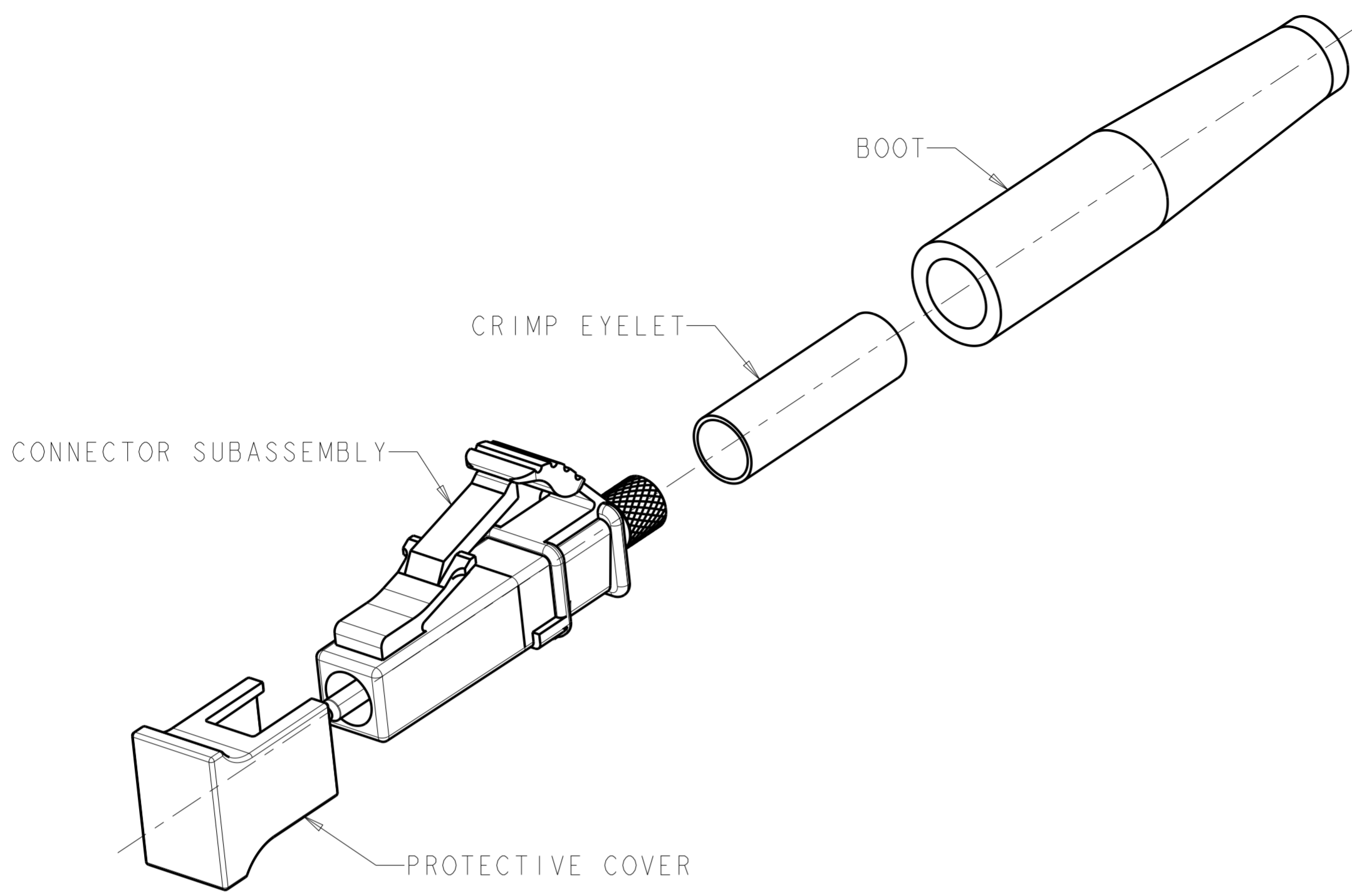
Email & Skype: info@chipsmall.com Web: www.chipsmall.com

Address: A1208, Overseas Decoration Building, #122 Zhenhua RD., Futian, Shenzhen, China



THIS DRAWING IS UNPUBLISHED. RELEASED FOR PUBLICATION  
 © 2016 COMMScope, INC. CONFIDENTIAL NOTICE: THESE DRAWINGS AND SPECIFICATIONS ARE THE PROPRIETARY PROPERTY OF COMMScope, INC. AND MAY BE USED ONLY FOR THE SPECIFIC PURPOSE AUTHORIZED IN WRITING BY COMMScope, INC.

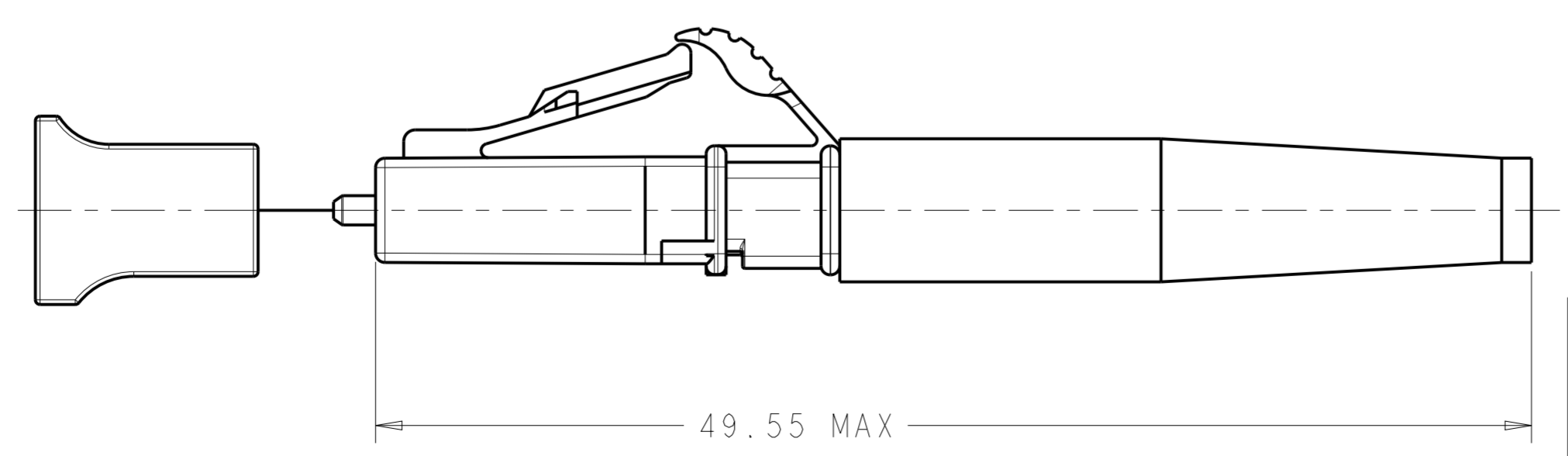
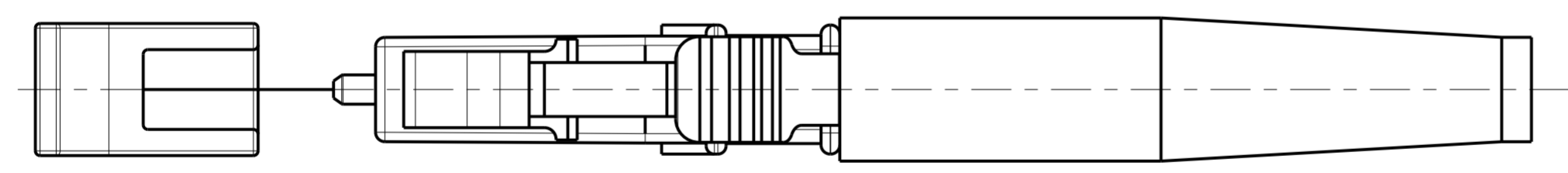
REVISIONS				
P	LTR	DESCRIPTION	DATE	APVD
B2		REVISE NOTE 3	16MAR2009	BB SB
C		REV PER ECR-10-009660	03JUN2010	IL CT
D		REV PER ECO-13-009908	13JUN2013	JM TE
E		REV PER ECN 8000018382	23FEB2017	GG TE



- 1 MATERIAL  
 PROTECTIVE COVER: PP, COLOR: WHITE, UL94 HB\*  
 FERRULE SUBASSEMBLY: ZIRCONIA/METAL  
 COMPRESSION SPRING: STAINLESS STEEL  
 FRONT HOUSING: PEI, COLOR: BEIGE, UL94 V-0\*  
 INNER TUBING: PTFE, COLOR: CLEAR, UL VW-1  
 REAR BODY: METAL  
 BOOT: TPE, UL94 V-0\*, SEE TABLE FOR COLOR  
 CRIMP EYELET: NICKEL PLATED BRASS  
 \*RATED AT QUALIFYING THICKNESS.

2 BULK PACKAGE.

3. INSTRUCTION SHEET: 408-8675



2	BLACK	1918375-6
2	AQUA	1918375-5
	BLACK	1918375-4
	AQUA	1918375-3
2	BEIGE	1918375-2
	BEIGE	1918375-1
	BOOT COLOR	PART NUMBER

THIS DRAWING IS A CONTROLLED DOCUMENT.		DWN B. BRIGGS 25APR2006	<b>COMMScope, INC.</b>		
DIMENSIONS: mm		CHK D. ROHDE 25APR2006			
TOLERANCES UNLESS OTHERWISE SPECIFIED:		APVD D. BAECHTLE 25APR2006			
0 PLC ± 1 PLC ± 2 PLC ± 3 PLC ± 4 PLC ± ANGLES ± FINISH		PRODUCT SPEC -	NAME KIT, CONNECTOR, LC SIMPLEX, MM, 3.0mm JACKET		
MATERIAL		APPLICATION SPEC -	SIZE A2	CAGE CODE -	DRAWING NO. G-1918375
1 -		WEIGHT -	RESTRICTED TO -		
CUSTOMER DRAWING		SCALE 4:1	SHEET 1 OF 1		