



Chipsmall Limited consists of a professional team with an average of over 10 year of expertise in the distribution of electronic components. Based in Hongkong, we have already established firm and mutual-benefit business relationships with customers from,Europe,America and south Asia,supplying obsolete and hard-to-find components to meet their specific needs.

With the principle of “Quality Parts,Customers Priority,Honest Operation,and Considerate Service”,our business mainly focus on the distribution of electronic components. Line cards we deal with include Microchip,ALPS,ROHM,Xilinx,Pulse,ON,Everlight and Freescale. Main products comprise IC,Modules,Potentiometer,IC Socket,Relay,Connector.Our parts cover such applications as commercial,industrial, and automotives areas.

We are looking forward to setting up business relationship with you and hope to provide you with the best service and solution. Let us make a better world for our industry!



Contact us

Tel: +86-755-8981 8866 Fax: +86-755-8427 6832

Email & Skype: info@chipsmall.com Web: www.chipsmall.com

Address: A1208, Overseas Decoration Building, #122 Zhenhua RD., Futian, Shenzhen, China



THIS DRAWING IS UNPUBLISHED.

RELEASED FOR PUBLICATION

© COPYRIGHT -

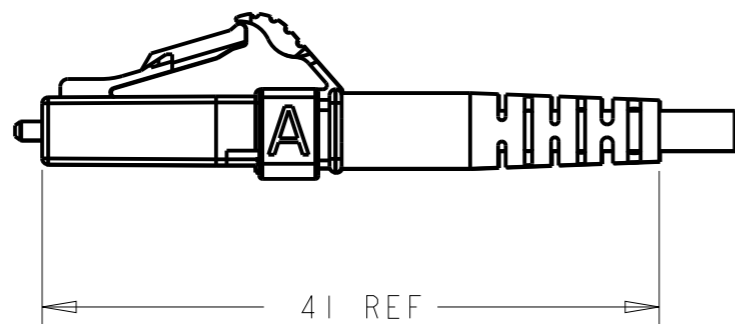
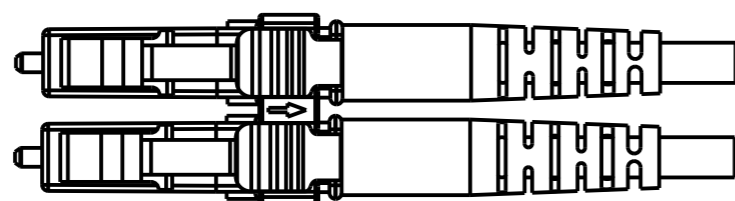
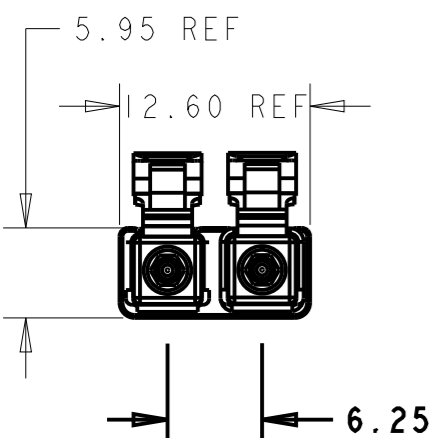
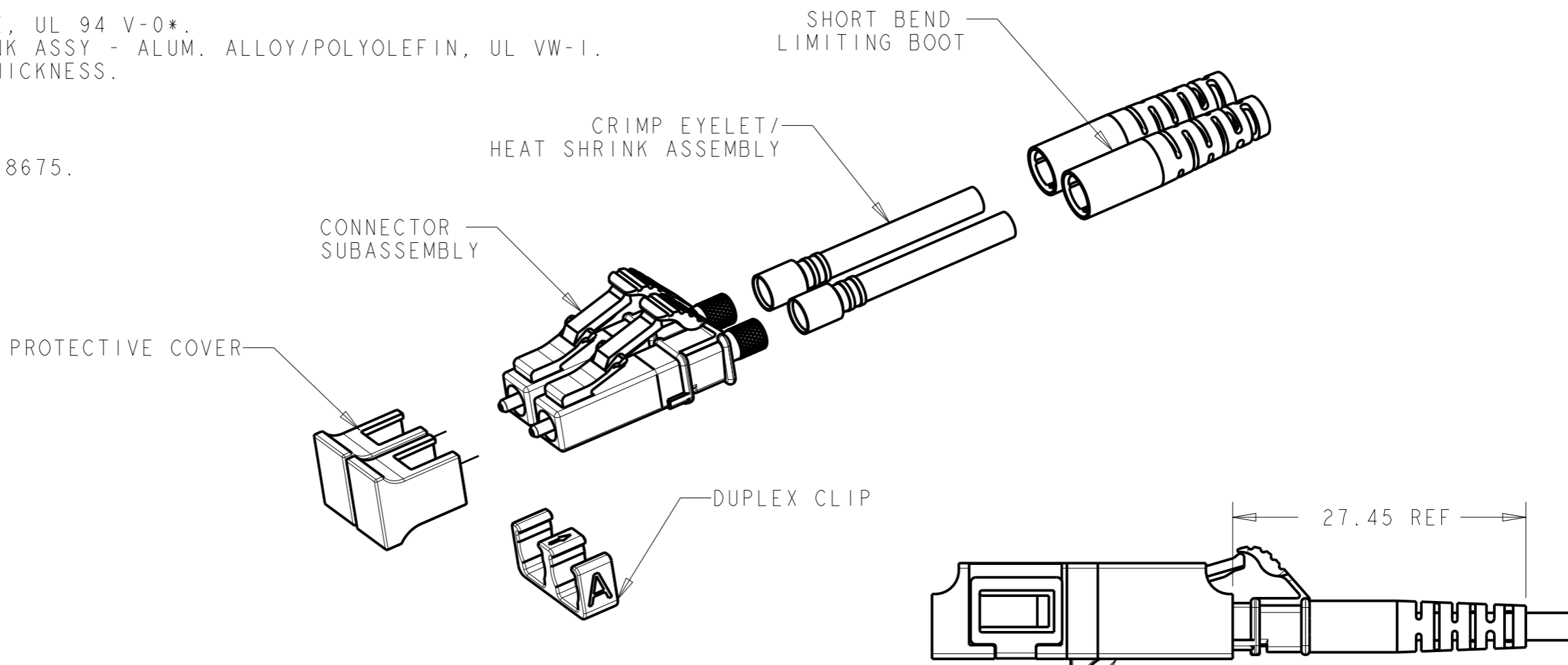
ALL RIGHTS RESERVED.

LOC	DIST	REVISIONS			
P	LTR	DESCRIPTION	DATE	DWN	APVD
HG	-	C	ECR-14-016330	11NOV2014	HZ RZ

- 1 MATERIAL: PROTECTIVE COVER - TPE, COLOR: BLACK, UL 94 HB*
 FERRULE SUBASSEMBLY - ZIRCONIA/METAL.
 COMPRESSION SPRING - STAINLESS STEEL.
 HOUSING - PEI, COLOR: BEIGE, UL 94 V-0*.
 INNER TUBING - PTFE, COLOR: CLEAR, UL VW-1.
 REAR BODY - METAL.
 BOOT - PP, COLOR: BEIGE, UL 94 V-0*.
 CRIMP EYELET/HEAT SHRINK ASSY - ALUM. ALLOY/POLYOLEFIN, UL VW-1.
 * RATED AT QUALIFYING THICKNESS.

2 BULK PACKAGED.

3. INSTRUCTION SHEET: 408-8675.



2	1918404-2
	1918404-1
PART NUMBER	

THIS DRAWING IS A CONTROLLED DOCUMENT.		DWN B. BRIGGS 08FEB2008		TE Connectivity	
DIMENSIONS: mm		CHK C. BENNETT 08FEB2008			
TOLERANCES UNLESS OTHERWISE SPECIFIED:		APVD S. BUCHTER 08FEB2008			
0 PLC ±- 1 PLC ±- 2 PLC ±- 3 PLC ±- 4 PLC ±- ANGLES ±-		PRODUCT SPEC -			
MATERIAL -		APPLICATION SPEC -		NAME KIT, CONNECTOR, LC, SHORT BOOT, DUPLEX, MM, 1.6-2.0mm JACKET	
FINISH -		WEIGHT -		SIZE A3	CAGE CODE -
1		CUSTOMER DRAWING		DRAWING NO. C-1918404	
		SCALE 2:1		RESTRICTED TO -	
		SHEET 1 OF 1		REV C	