



Chipsmall Limited consists of a professional team with an average of over 10 year of expertise in the distribution of electronic components. Based in Hongkong, we have already established firm and mutual-benefit business relationships with customers from,Europe,America and south Asia,supplying obsolete and hard-to-find components to meet their specific needs.

With the principle of “Quality Parts,Customers Priority,Honest Operation,and Considerate Service”,our business mainly focus on the distribution of electronic components. Line cards we deal with include Microchip,ALPS,ROHM,Xilinx,Pulse,ON,Everlight and Freescale. Main products comprise IC,Modules,Potentiometer,IC Socket,Relay,Connector.Our parts cover such applications as commercial,industrial, and automotives areas.

We are looking forward to setting up business relationship with you and hope to provide you with the best service and solution. Let us make a better world for our industry!



## Contact us

Tel: +86-755-8981 8866 Fax: +86-755-8427 6832

Email & Skype: info@chipsmall.com Web: www.chipsmall.com

Address: A1208, Overseas Decoration Building, #122 Zhenhua RD., Futian, Shenzhen, China



D

C

B

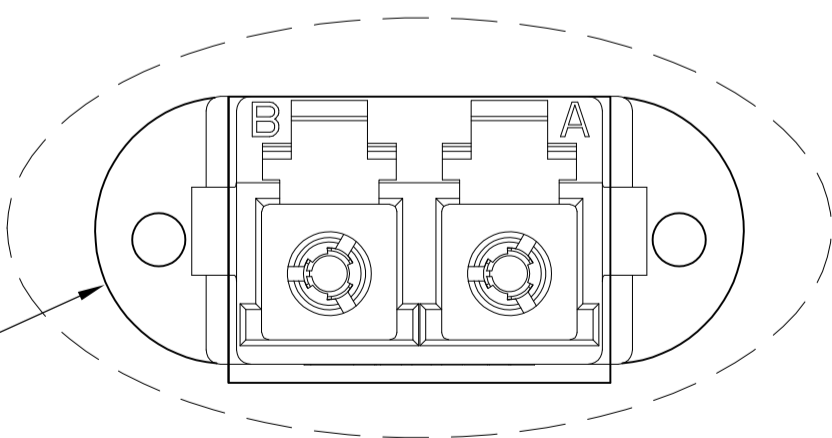
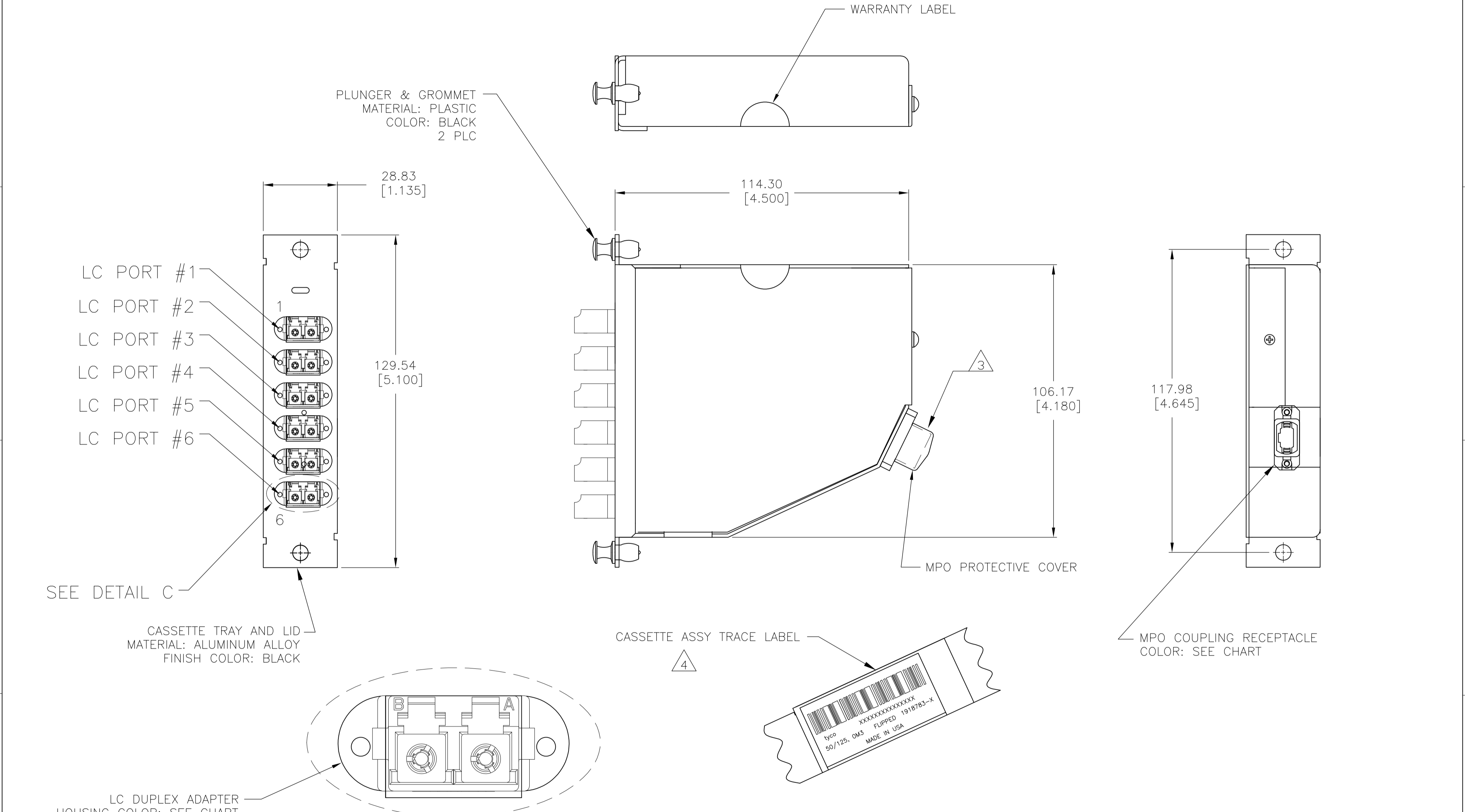
A

D

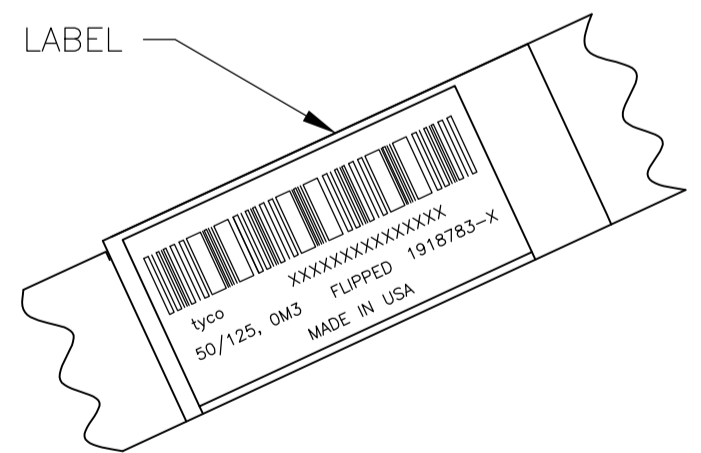
C

B

A



DETAIL C  
 TYP. 6 PLC.



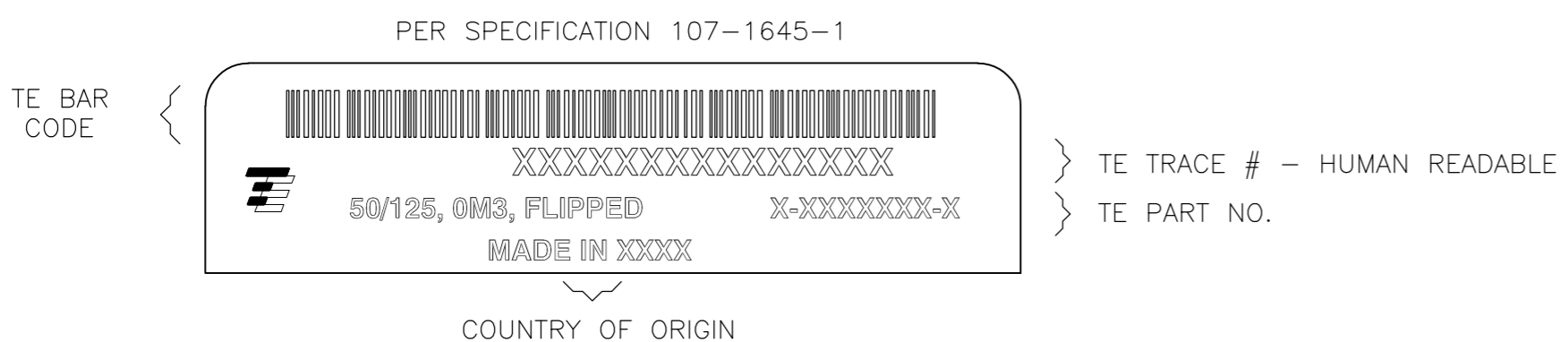
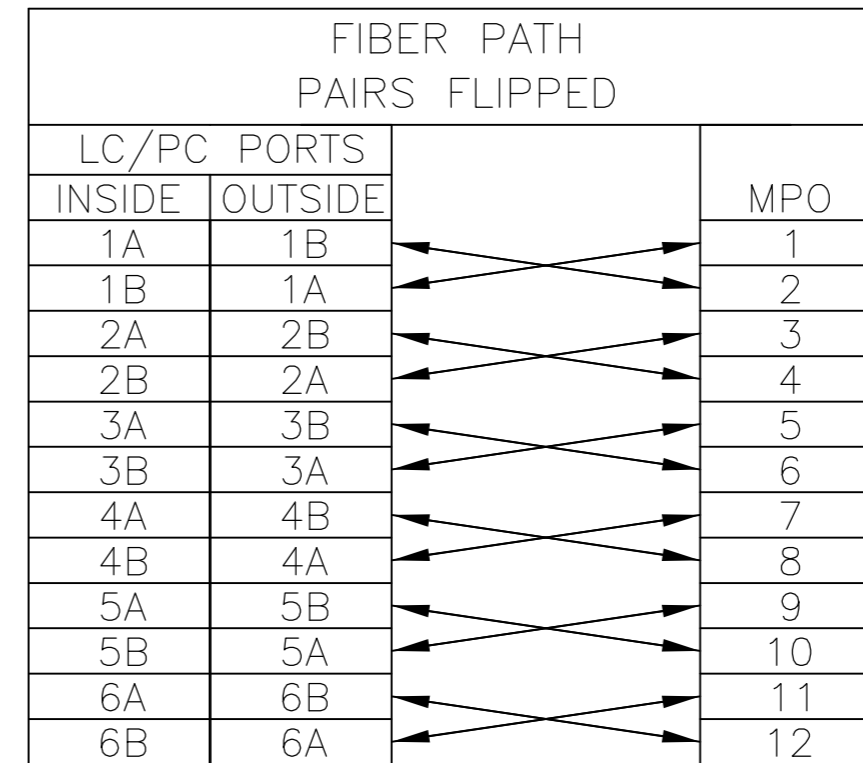
THIS DRAWING IS A CONTROLLED DOCUMENT.		DWN D. FENNEL 16MAR07	Tyco Electronics Corporation Harrisburg, PA 17105-3608	
DIMENSIONS: mm		CHK D. FENNEL 16MAR07	NAME CASSSETTE, 6 PORT, 50/125um, OM3, MPO TO LC, PAIRS FLIPPED	
TOLERANCES UNLESS OTHERWISE SPECIFIED: 0 PLC ± - 1 PLC ± - 2 PLC ± - 3 PLC ± - 4 PLC ± - ANGLES ± ± - FINISH -		APVD D. FENNEL 16MAR07	PRODUCT SPEC - APPLICATION SPEC -	
MATERIAL -		WEIGHT -	SIZE A2	RESTRICTED TO -
CUSTOMER DRAWING		CAGE CODE 00779	DRAWING NO 1918783	SCALE NTS
		SHEET 1	OF 2	REV B

1918783

THIS DRAWING IS UNPUBLISHED. RELEASED FOR PUBLICATION  
 © COPYRIGHT BY TYCO ELECTRONICS CORPORATION. ALL RIGHTS RESERVED.

LOC	DIST	REVISIONS			
P	LTR	DESCRIPTION	DATE	DWN	APVD
CE	17	SEE SHEET 1	-	-	-

- MAXIMUM CABLE ASSEMBLY INSERTION LOSS IS 1.00dB WHEN TESTED AT 850nm OR 1300nm.
- MINIMUM CABLE ASSEMBLY RETURN LOSS IS 23dB WHEN TESTED AT 850nm OR 1300nm.
- WHITE MARKING ON MPO TO BE FACING TOWARD TOP OF CONNECTOR MODULE. WHITE MARK INDICATES FIBER 1 SIDE
- SEE TRACE LABEL DETAIL
- A COPY OF CASSETTE ASSEMBLY LOSS TEST DATA WILL BE PLACED INSIDE OR WITH THE UNIT PACKAGE. CASSETTES WILL BE TESTED AT 850nm WAVELENGTH.
- PRODUCT AND PROCESSING MUST MEET REQUIREMENTS OF TYCO ELECTRONICS STANDARD TEC-138-702



4 TRACE LABEL DETAIL

AQUA SECURE	AQUA SECURE	1-1918783-1
SLATE SECURE	SLATE SECURE	1-1918783-0
ROSE SECURE	ROSE SECURE	1918783-9
VIOLET SECURE	VIOLET SECURE	1918783-8
BROWN SECURE	BROWN SECURE	1918783-7
ORANGE SECURE	ORANGE SECURE	1918783-6
YELLOW SECURE	YELLOW SECURE	1918783-5
BLUE SECURE	BLUE SECURE	1918783-4
GREEN SECURE	GREEN SECURE	1918783-3
RED SECURE	RED SECURE	1918783-2
BLACK STANDARD	AQUA STANDARD	1918783-1
MPO COUPLING BUSHING COLOR & TYPE	LC ADAPTER COLOR & TYPE	PART NUMBER

THIS DRAWING IS A CONTROLLED DOCUMENT.		DWN D. FENNELL 08NOV06	Tyco Electronics Corporation Harrisburg, PA 17105-3608	
DIMENSIONS: mm		CHK D. FENNELL 08NOV06	NAME CASSETTE, 6 PORT, 50/125um, OM3, MPO TO LC, PAIRS FLIPPED	
TOLERANCES UNLESS OTHERWISE SPECIFIED: 0 PLC ± - 1 PLC ± - 2 PLC ± - 3 PLC ± - 4 PLC ± - ANGLES ± -		APVD D. FENNELL 08NOV06	PRODUCT SPEC	
MATERIAL		FINISH	WEIGHT	RESTRICTED TO
-		-	-	-
CUSTOMER DRAWING		SCALE A2 00779	DRAWING NO C=1918783	REV B
		SCALE NTS	SHEET 2 of 2	REV B