



Chipsmall Limited consists of a professional team with an average of over 10 year of expertise in the distribution of electronic components. Based in Hongkong, we have already established firm and mutual-benefit business relationships with customers from,Europe,America and south Asia,supplying obsolete and hard-to-find components to meet their specific needs.

With the principle of “Quality Parts,Customers Priority,Honest Operation,and Considerate Service”,our business mainly focus on the distribution of electronic components. Line cards we deal with include Microchip,ALPS,ROHM,Xilinx,Pulse,ON,Everlight and Freescale. Main products comprise IC,Modules,Potentiometer,IC Socket,Relay,Connector.Our parts cover such applications as commercial,industrial, and automotives areas.

We are looking forward to setting up business relationship with you and hope to provide you with the best service and solution. Let us make a better world for our industry!



Contact us

Tel: +86-755-8981 8866 Fax: +86-755-8427 6832

Email & Skype: info@chipsmall.com Web: www.chipsmall.com

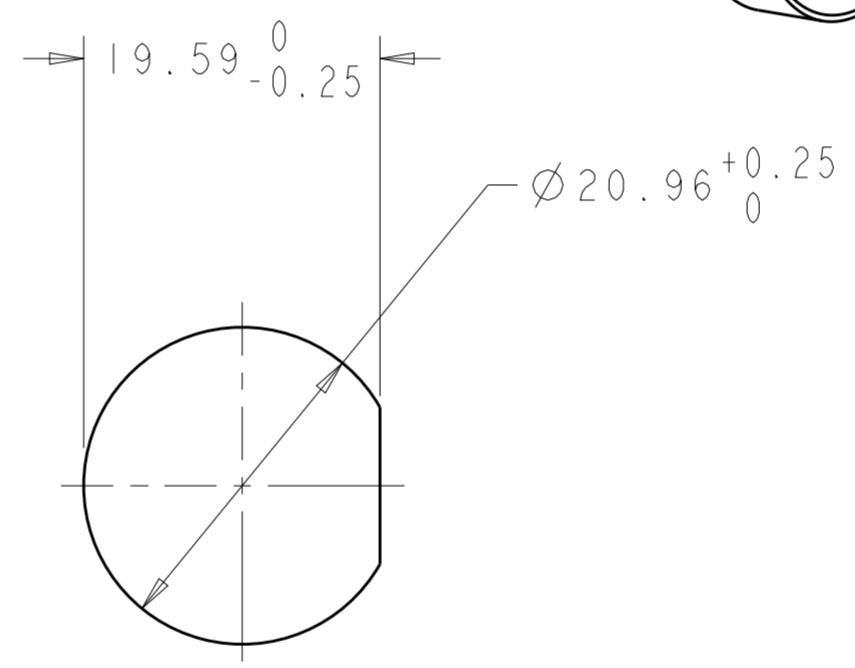
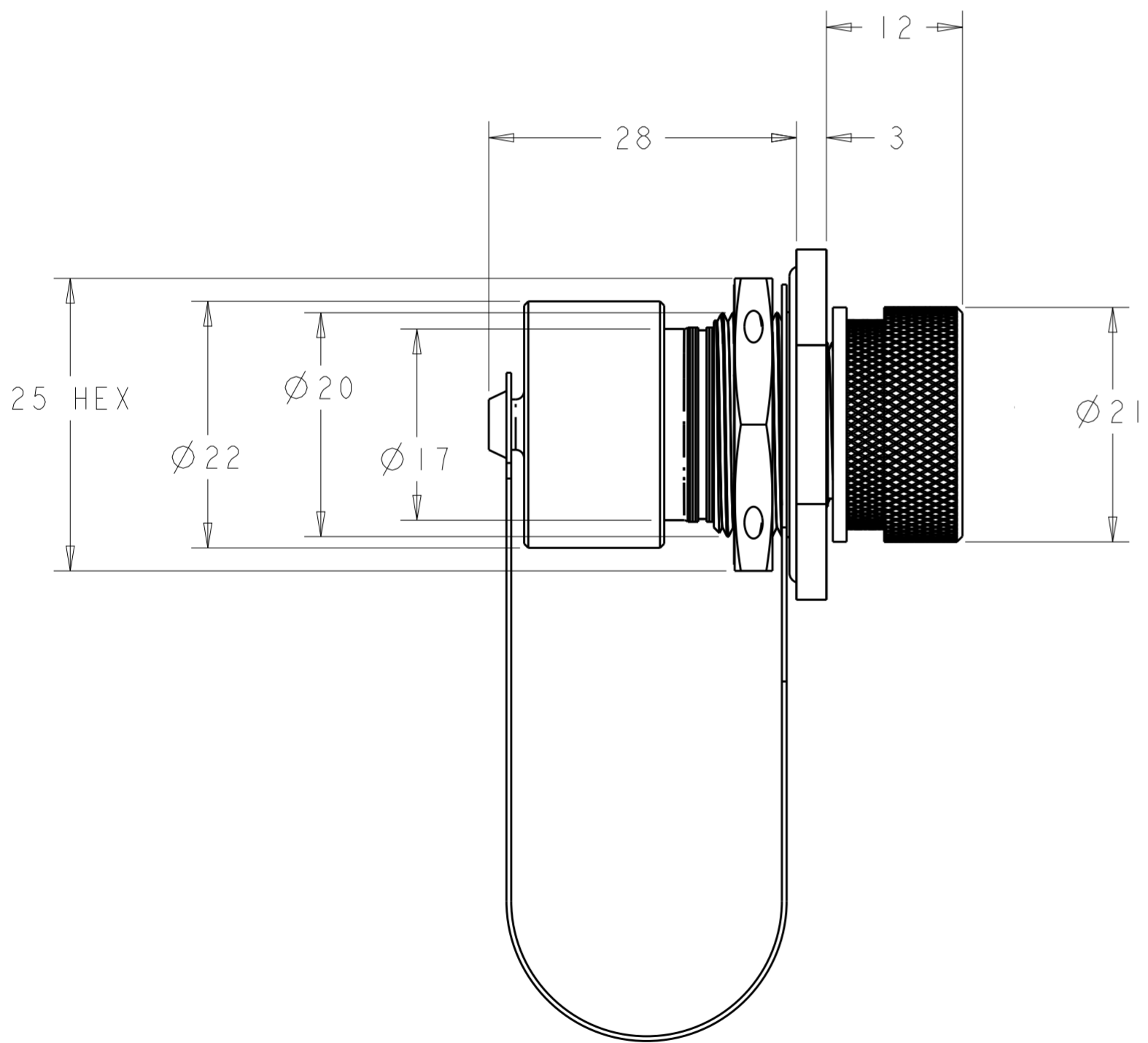
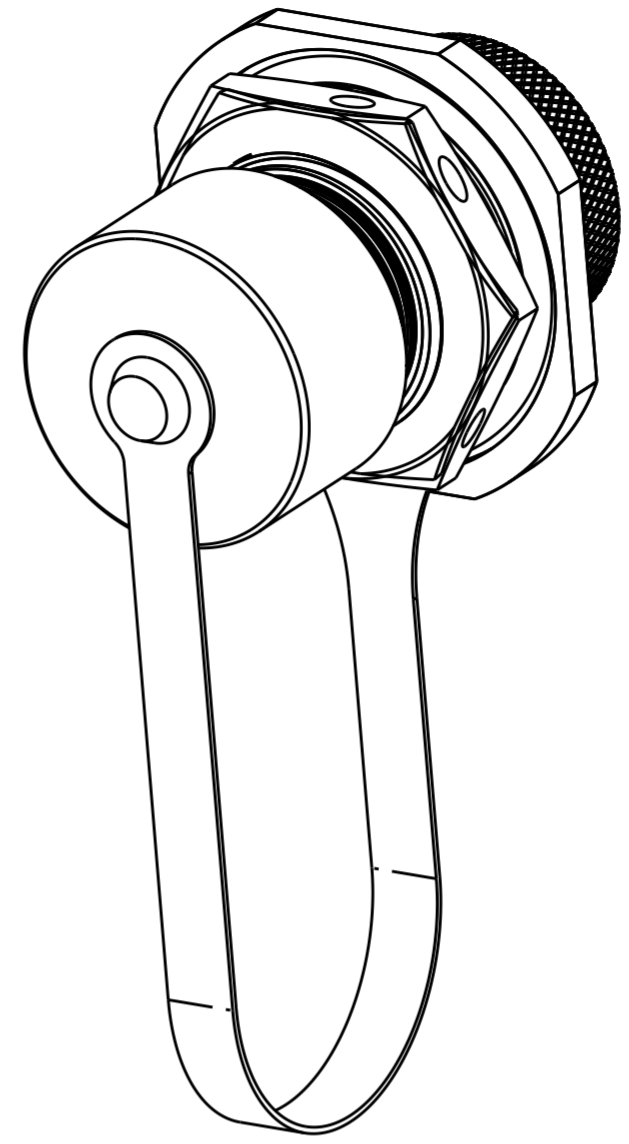
Address: A1208, Overseas Decoration Building, #122 Zhenhua RD., Futian, Shenzhen, China



THIS DRAWING IS UNPUBLISHED. RELEASED FOR PUBLICATION 20
 © COPYRIGHT 20 BY - ALL RIGHTS RESERVED.

LOC	DIST	REVISIONS			
P	LTR	DESCRIPTION	DATE	DWN	APVD
CE	-	A1	ECR-11-018575	27SEP2011	KG DW

- ASSEMBLY SHOWN FOR REFERENCE ONLY. SHIPPED LOOSE PIECE AS SHOWN ON PAGE 2.
- ALL ASSEMBLY DIMENSIONS ARE FOR REFERENCE ONLY.
- THIS PRODUCT HAS NOT COMPLETED VALIDATION TESTING.
- △ PER MIL-DTL-38999K, FIGURE 11, TYPE E.
- COMPLETE THE CONNECTOR ASSEMBLY BY ADDING EACH OF THE FOLLOWING:
 - TE CONNECTIVITY MINI EXPANDED BEAM INSERT ASSEMBLY;
 - MINI EXPANDED BEAM FERRULE KIT, ONE PER FIBER.



RECOMMENDED PANEL CUT-OUT △

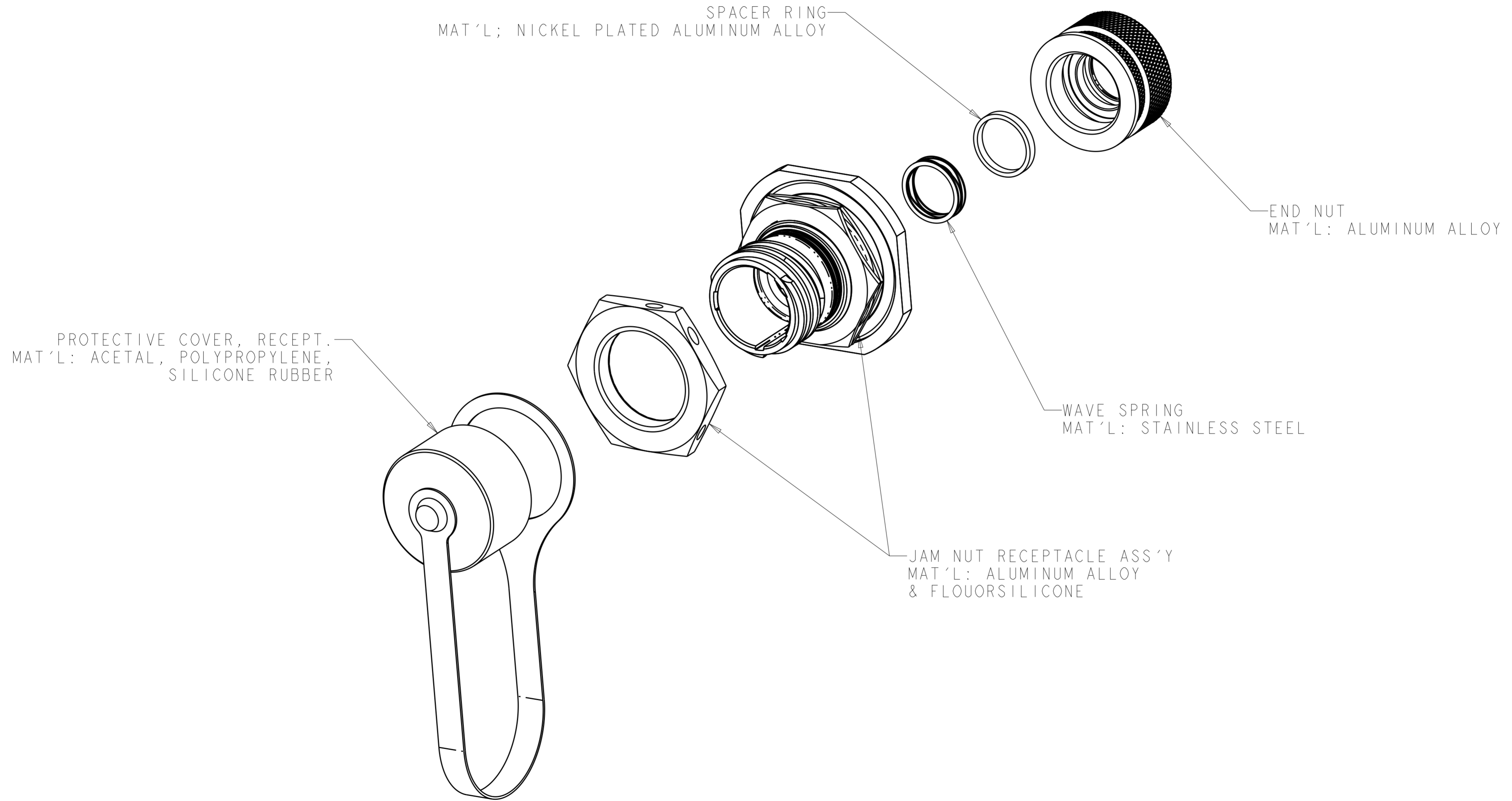
E-KEY, BLACK ZnNi	1-1918884-8
D-KEY, BLACK ZnNi	1-1918884-7
C-KEY, BLACK ZnNi	1-1918884-6
B-KEY, BLACK ZnNi	1-1918884-5
A-KEY, BLACK ZnNi	1-1918884-4
N-KEY, BLACK ZnNi	1-1918884-3
E-KEY, OLIVE DRAB Zn	1-1918884-2
D-KEY, OLIVE DRAB Zn	1-1918884-1
C-KEY, OLIVE DRAB Zn	1-1918884-0
B-KEY, OLIVE DRAB Zn	1918884-9
A-KEY, OLIVE DRAB Zn	1918884-8
N-KEY, OLIVE DRAB Zn	1918884-7
E-KEY, Ni-PLATE	1918884-6
D-KEY, Ni-PLATE	1918884-5
C-KEY, Ni-PLATE	1918884-4
B-KEY, Ni-PLATE	1918884-3
A-KEY, Ni-PLATE	1918884-2
N-KEY, Ni-PLATE	1918884-1
DESCRIPTION	PART NUMBER

THIS DRAWING IS A CONTROLLED DOCUMENT. DIMENSIONING AND TOLERANCING PER ASME Y14.5M-2009		DWN K. GLATFELTER 07SEP2006	TE Connectivity	
DIMENSIONS: mm		CHK D. WERTMAN 22FEB2007		
TOLERANCES UNLESS OTHERWISE SPECIFIED:		APVD D. WERTMAN 22FEB2007	NAME SHELL KIT, JAM NUT RECEPTACLE, 38999, SIZE 11, MINI EB	
0 PLC ±		PRODUCT SPEC	SIZE CAGE CODE DRAWING NO RESTRICTED TO	
1 PLC ±		APPLICATION SPEC	A200779 C-1918884	
2 PLC ±		WEIGHT	SCALE 2:1 SHEET 1 OF 2 REV A1	
3 PLC ±		CUSTOMER DRAWING		
4 PLC ±				
ANGLES ±				
FINISH				
SEE TABLE				

THIS DRAWING IS UNPUBLISHED. RELEASED FOR PUBLICATION 20
 © COPYRIGHT 20 BY - ALL RIGHTS RESERVED.

LOC	DIST	REVISIONS					
CE	-	P	LTR	DESCRIPTION	DATE	DWN	APVD
		-		SEE SHEET 1	-	-	-

1. SHIPPED LOOSE PIECE AS SHOWN.



THIS DRAWING IS A CONTROLLED DOCUMENT. DIMENSIONING AND TOLERANCING PER ASME Y14.5M-2009		DWN K. GLATFELTER 07SEP2006	STE TE Connectivity	
DIMENSIONS: mm		CHK D. WERTMAN 22FEB2007		
TOLERANCES UNLESS OTHERWISE SPECIFIED:		APVD D. WERTMAN 22FEB2007	NAME SHELL KIT, JAM NUT RECEPTACLE, 38999, SIZE 11, MINI EB	
0 PLC ±	1 PLC ±	PRODUCT SPEC	SIZE	CAGE CODE
2 PLC ±	3 PLC ±	APPLICATION SPEC	A200779	C-1918884
4 PLC ±	ANGLES ±	WEIGHT	DRAWING NO	
FINISH	SEE TABLE	CUSTOMER DRAWING	SCALE 2:1	SHEET 2 OF 2