



Chipsmall Limited consists of a professional team with an average of over 10 year of expertise in the distribution of electronic components. Based in Hongkong, we have already established firm and mutual-benefit business relationships with customers from,Europe,America and south Asia,supplying obsolete and hard-to-find components to meet their specific needs.

With the principle of "Quality Parts,Customers Priority,Honest Operation,and Considerate Service",our business mainly focus on the distribution of electronic components. Line cards we deal with include Microchip,ALPS,ROHM,Xilinx,Pulse,ON,Everlight and Freescale. Main products comprise IC,Modules,Potentiometer,IC Socket,Relay,Connector.Our parts cover such applications as commercial,industrial, and automotives areas.

We are looking forward to setting up business relationship with you and hope to provide you with the best service and solution. Let us make a better world for our industry!



Contact us

Tel: +86-755-8981 8866 Fax: +86-755-8427 6832

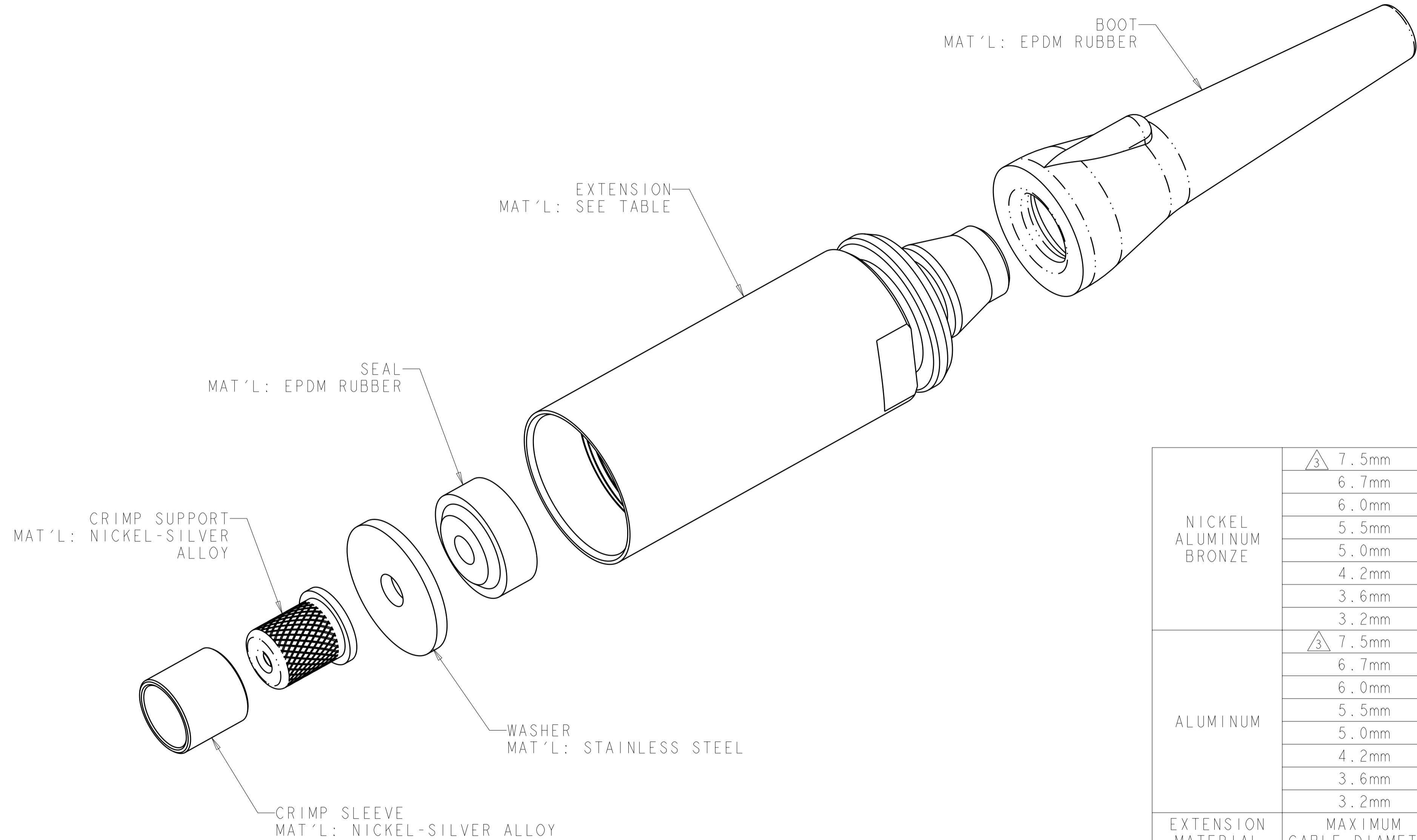
Email & Skype: info@chipsmall.com Web: www.chipsmall.com

Address: A1208, Overseas Decoration Building, #122 Zhenhua RD., Futian, Shenzhen, China



THIS DRAWING IS UNPUBLISHED. RELEASED FOR PUBLICATION 20
 © COPYRIGHT 20 BY TYCO ELECTRONICS CORPORATION. ALL RIGHTS RESERVED.

LOC	DIST	REVISIONS			
P	LTR	DESCRIPTION	DATE	DWN	APVD
CE	16				
		I PPR 06-887	02JUN08	KG	DW
		A ECR-08-027292	29OCT2008	KG	DW
		B ECR-10-016577	11AUG2010	KG	DW



MATERIAL	MAXIMUM CABLE DIAMETER	PART NUMBER
NICKEL ALUMINUM BRONZE	△ 7.5mm	1-1918931-6
	6.7mm	1-1918931-5
	6.0mm	1-1918931-4
	5.5mm	1-1918931-3
	5.0mm	1-1918931-2
	4.2mm	1-1918931-1
	3.6mm	1-1918931-0
ALUMINUM	△ 7.5mm	1918931-8
	6.7mm	1918931-7
	6.0mm	1918931-6
	5.5mm	1918931-5
	5.0mm	1918931-4
	4.2mm	1918931-3
	3.6mm	1918931-2
EXTENSION MATERIAL	3.2mm	1918931-1

1. PACKAGED LOOSE PIECE.
 2. DIMENSIONS ARE FOR REFERENCE ONLY.
- △ FOR USE WITH Ø7.5mm BREAKOUT CABLE WITH Ø2.15mm MAXIMUM JACKETED SUBUNITS.

THIS DRAWING IS A CONTROLLED DOCUMENT FOR TYCO ELECTRONICS CORPORATION. IT IS SUBJECT TO CHANGE AND THE CONTROLLING ENGINEERING ORGANIZATION SHOULD BE CONTACTED FOR THE LATEST REVISION.		DWN K. GLATFELTER 27OCT2006	Tyco Electronics Harrisburg, PA 17105-3608	
DIMENSIONS: mm		CHK D. WERTMAN 02JUN2008	NAME CABLE ADAPTER KIT, PLUG, PRO BEAM JR.	
TOLERANCES UNLESS OTHERWISE SPECIFIED: 0 PLC ± 1 PLC ± 2 PLC ± 3 PLC ± 4 PLC ± ANGLES ±		APVD D. WERTMAN 02JUN2008	RESTRICTED TO	
MATERIAL AS LISTED		PRODUCT SPEC -	SIZE A200779	DRAWING NO C-1918931
FINISH HARD ANODIZE (AL ONLY)		APPLICATION SPEC -	SCALE 2:1	SHEET 1 OF 1
CUSTOMER DRAWING		WEIGHT -	REV B	