



Chipsmall Limited consists of a professional team with an average of over 10 year of expertise in the distribution of electronic components. Based in Hongkong, we have already established firm and mutual-benefit business relationships with customers from,Europe,America and south Asia,supplying obsolete and hard-to-find components to meet their specific needs.

With the principle of “Quality Parts,Customers Priority,Honest Operation,and Considerate Service”,our business mainly focus on the distribution of electronic components. Line cards we deal with include Microchip,ALPS,ROHM,Xilinx,Pulse,ON,Everlight and Freescale. Main products comprise IC,Modules,Potentiometer,IC Socket,Relay,Connector.Our parts cover such applications as commercial,industrial, and automotives areas.

We are looking forward to setting up business relationship with you and hope to provide you with the best service and solution. Let us make a better world for our industry!



Contact us

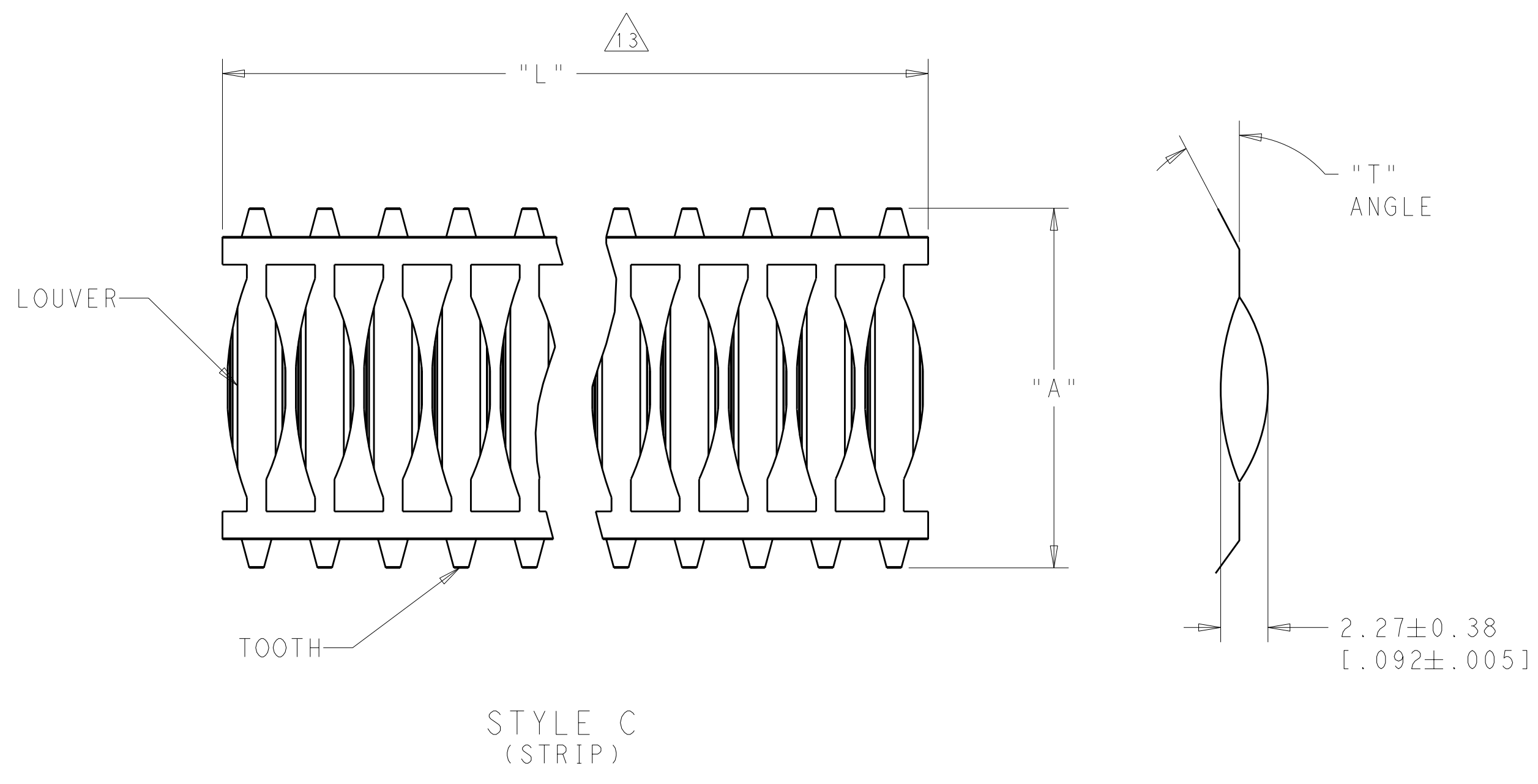
Tel: +86-755-8981 8866 Fax: +86-755-8427 6832

Email & Skype: info@chipsmall.com Web: www.chipsmall.com

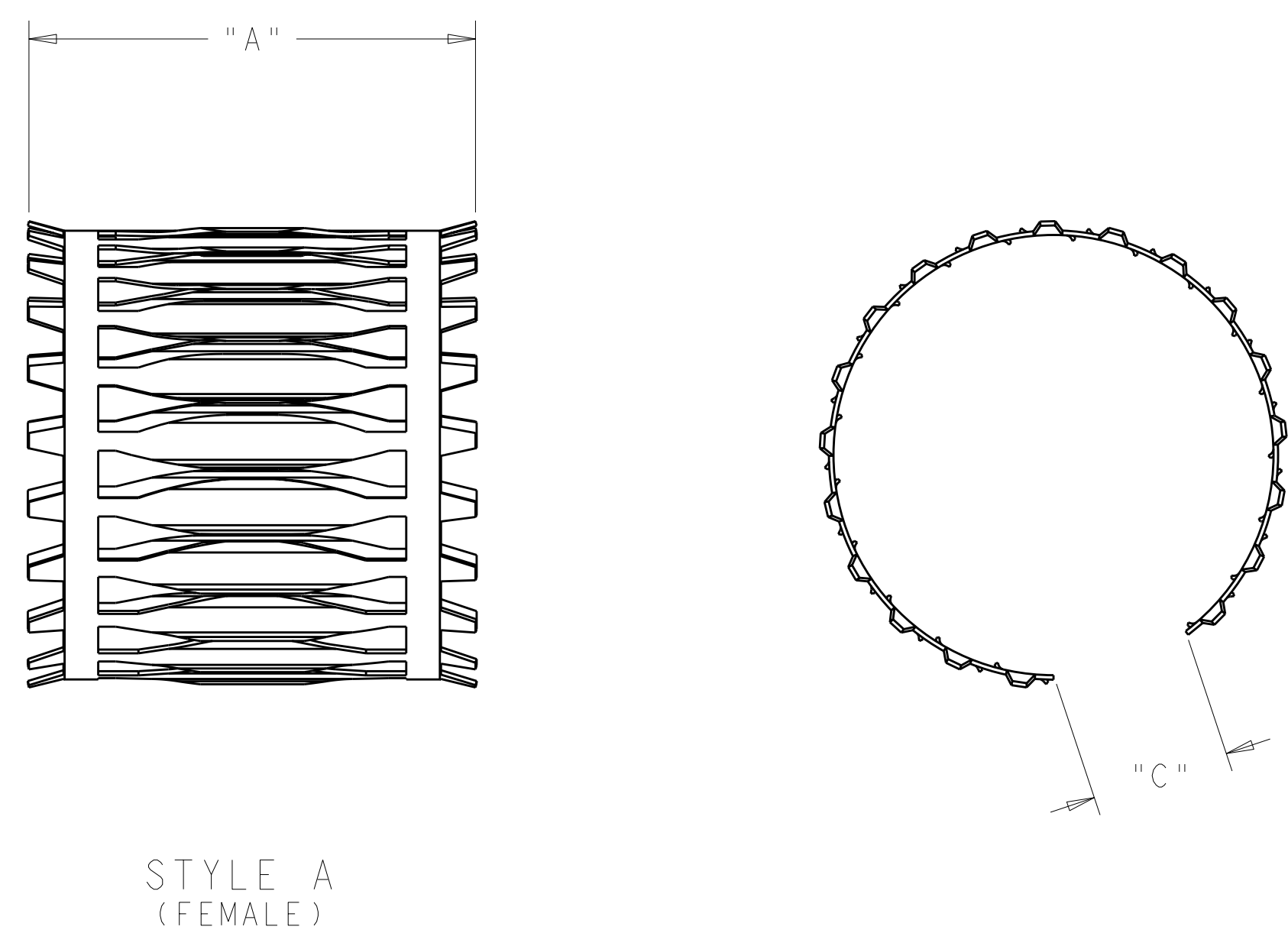
Address: A1208, Overseas Decoration Building, #122 Zhenhua RD., Futian, Shenzhen, China



LOC	DIST	REV	DATE	DWN	APVD
GP	00	L	REV PER ECO-10-018478	15SEP2010	RG DO



1. FINISH - SILVER PLATE 500μINCHES MIN THK.
2. FINISH - NICKEL PLATE 40μINCHES MIN THK
3. FINISH - GOLD PLATE 10μINCHES MIN THK.
4. LENGTH TO BE 7.6 INCHES
5. LENGTH TO BE 10.8 INCHES
6. PLATING NOTES ARE TO BE INTERPRETED AS FOLLOWS: 1-2 AS 1 OVER 2.
7. PRODUCT SOLD BY THE FOOT.
8. LENGTH 9.2 INCHES
9. LENGTH 8.0 INCHES
10. LENGTH 11.9 INCHES
11. PACKAGED 18 PCS PER BAG
12. DIMENSION "C" TO BE 6.0 INCHES MIN
13. PITCH: FIVE (5) LOUVERS PER INCH (NOMINAL)
14. LENGTH 5.438 INCHES REF 28 LOUVERS
15. FINISH - SILVER PLATE 200μINCHES MIN THK.
16. PRELIMINARY PART NUMBER
17. OBSOLETE PARTS: OBSOLETE CIS STREAMLINING PER D.RENAUD/D.SINISI
18. LENGTH 12.0 INCHES REFERENCE 62 LOUVERS
19. SPECIAL PACKAGING



19	16	12	11	17	18	14	10	9	8	5	4	3	2	1
C	25.91 [1.02]				1-2	15	0.15 [.008]	--						2-192000-3
C	25.91 [1.02]				17-2	15	0.25 [.010]	--						2-192000-2
A	25.02 [.98]				UNPLATED	45	0.25 [.010]	--						2-192000-1
A	25.02 [.98]				UNPLATED	45	0.25 [.010]	--						2-192000-0
A	25.02 [.98]				1-2	45	0.25 [.010]	--						1-192000-9
A	25.02 [.98]				UNPLATED	45	0.25 [.010]	--						1-192000-8
A	25.02 [.98]				1-2	45	0.25 [.010]	--						1-192000-7
A	25.02 [.98]				1-2	45	0.25 [.010]	--						1-192000-6
A	25.02 [.98]				UNPLATED	45	0.25 [.010]	--						1-192000-5
A	25.02 [.98]				UNPLATED	45	0.25 [.010]	--						1-192000-4
														1-192000-3
														1-192000-2
														1-192000-1
														192000-9
														192000-8
														192000-7
														192000-6
														192000-5
														192000-4
														192000-3
														192000-2
														192000-1
STYLE	WIDTH A	NUMBER OF LOUVER	PLATING (NOTE NO)	TOOTH ANGLE	MAT'L THK	HUGIN PN	PART NUMBER							