



Chipsmall Limited consists of a professional team with an average of over 10 year of expertise in the distribution of electronic components. Based in Hongkong, we have already established firm and mutual-benefit business relationships with customers from,Europe,America and south Asia,supplying obsolete and hard-to-find components to meet their specific needs.

With the principle of “Quality Parts,Customers Priority,Honest Operation,and Considerate Service”,our business mainly focus on the distribution of electronic components. Line cards we deal with include Microchip,ALPS,ROHM,Xilinx,Pulse,ON,Everlight and Freescale. Main products comprise IC,Modules,Potentiometer,IC Socket,Relay,Connector.Our parts cover such applications as commercial,industrial, and automotives areas.

We are looking forward to setting up business relationship with you and hope to provide you with the best service and solution. Let us make a better world for our industry!



Contact us

Tel: +86-755-8981 8866 Fax: +86-755-8427 6832

Email & Skype: info@chipsmall.com Web: www.chipsmall.com

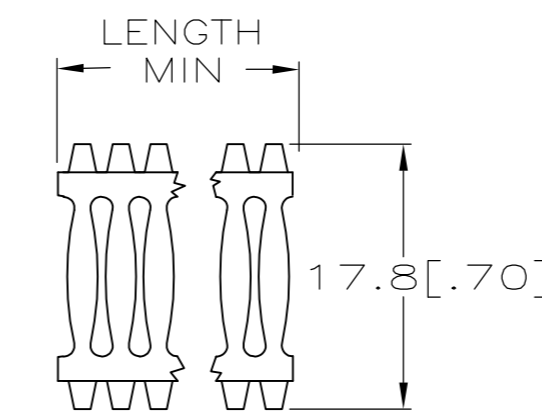
Address: A1208, Overseas Decoration Building, #122 Zhenhua RD., Futian, Shenzhen, China



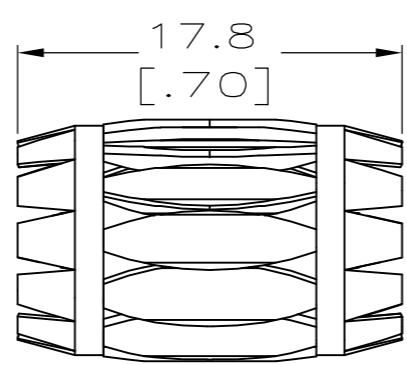
THIS DRAWING IS UNPUBLISHED. RELEASED FOR PUBLICATION
 © COPYRIGHT - By - ALL RIGHTS RESERVED.

REVISIONS				
P	LTR	DESCRIPTION	DATE	APVD
	J1	REVISED PER ECO-16-012453	24AUG2016	NK MZ

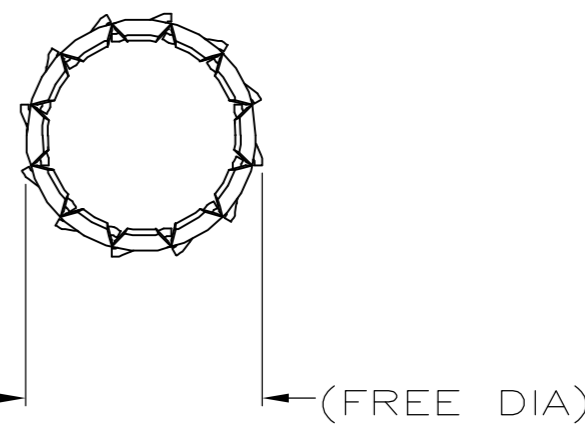
LH	(FREE DIA)	MAT'L	LENGTH	MATING HOLE Ø REF	PLATING	NUM LOUV	MAT'L THK	REF	PART NO.
[.050]	--	BeCu		51.33 [2.021]	3-2	62	0.10[.004]	--	4-192008-6
[.050]	--	BeCu		22.00 [.866]	3-2	26	0.10[.004]	--	4-192008-5
[.052]	--	BeCu	NOTE 12	--	3-2	--	0.25[.010]	--	4-192008-4
[.052]	--	BeCu	NOTE 12	--	3-2	--	0.20[.008]	--	4-192008-3
[.050]	[1.40]	BeCu		--	3-2	44	0.15[.006]	--	4-192008-2
[.052]	[2.00]	BeCu		58.4[2.300]	UNPL	72	0.25[.010]	--	4-192008-1
[.052]	[2.00]	BeCu		58.4[2.300]	3-2	72	0.25[.010]	--	4-192008-0
[.050]	[1.29]	BeCu		34.9[1.375]	3-2	41	0.15[.006]	01324	3-192008-9
[.048]	[1.04]	CNCL		33.0[1.300]	UNPL	33	0.15[.006]	01312	3-192008-8
[.050]	[1.26]	BeCu		33.0[1.300]	3-2	40	0.15[.006]	01238	3-192008-7
[.050]	[1.16]	BeCu		31.8[1.250]	3-2	37	0.15[.006]	01237	3-192008-6
[.050]	[1.16]	BeCu		31.8[1.250]	3-2	37	0.15[.006]	01231	3-192008-5
[.052]	[1.13]	BeCu		30.4[1.197]	3-2	36	0.20[.008]	01213	3-192008-4
[.052]	[1.13]	BeCu		30.4[1.197]	UNPL	36	0.20[.008]	01226	3-192008-3
[.050]	[1.13]	BeCu		30.4[1.197]	3-2	36	0.15[.006]	01114	3-192008-2
[.052]	[1.16]	BeCu		30.3[1.195]	3-2	37	0.20[.008]	01194	3-192008-1
[.050]	[1.10]	BeCu		30.2[1.188]	3-2	35	0.15[.006]	01212	3-192008-0
[.052]	[1.07]	BeCu		28.7[1.129]	3-2	34	0.20[.008]	01190	2-192008-9
[.050]	[1.07]	BeCu		28.7[1.129]	3-2	34	0.15[.006]	01191	2-192008-8
[.050]	[1.00]	BeCu		27.1[1.068]	3-2	32	0.15[.006]	01188	2-192008-7
				OBSOLETE				--	2-192008-6
[.052]	[.94]	BeCu		25.4[1.000]	3-2	30	0.20[.008]	01184	2-192008-5
[.052]	[.94]	BeCu		25.4[1.000]	UNPL	30	0.20[.008]	01183	2-192008-4
[.050]	[.94]	BeCu		25.4[1.000]	3-2	30	0.15[.006]	01182	2-192008-3
[.050]	[.94]	BeCu		25.4[1.000]	UNPL	30	0.15[.006]	01180	2-192008-2
[.052]	[.81]	BeCu		22.3[.879]	3-2	26	0.20[.008]	01171	2-192008-1
[.052]	[.81]	BeCu		22.3[.879]	UNPL	26	0.20[.008]	01221	2-192008-0
[.050]	[.81]	BeCu		22.3[.879]	3-2	26	0.15[.006]	01277	1-192008-9
[.052]	[.75]	BeCu		20.2[.796]	3-2	24	0.20[.008]	01162	1-192008-8
[.052]	[.75]	BeCu		20.2[.796]	UNPL	24	0.20[.008]	01222	1-192008-7
[.052]	[.72]	BeCu		19.8[.781]	3-2	23	0.20[.008]	01159	1-192008-6
[.050]	[.72]	BeCu		19.8[.781]	3-2	23	0.15[.006]	01316	1-192008-5
[.052]	[.69]	BeCu		19.0[.750]	1-2	22	0.20[.008]	01236	1-192008-4
[.052]	[.69]	BeCu		19.0[.750]	3-2	22	0.20[.008]	01158	1-192008-3
[.052]	[.69]	BeCu		19.0[.750]	UNPL	22	0.20[.008]	01295	1-192008-2
[.050]	[.69]	BeCu		19.0[.750]	1-2	22	0.15[.006]	01160	1-192008-1
[.050]	[.69]	BeCu		19.0[.750]	3-2	22	0.15[.006]	01157	1-192008-0
[.050]	[.69]	BeCu		19.0[.750]	UNPL	22	0.15[.006]	--	192008-9
[.052]	[.56]	BeCu		16.0[.630]	3-2	18	0.20[.008]	01149	192008-8
[.050]	[.53]	BeCu		14.1[.554]	3-2	17	0.15[.006]	01142	192008-7
[.050]	[.49]	BeCu		12.7[.500]	3-2	14	0.15[.006]	01140	192008-6
[.050]	[.49]	BeCu		12.7[.500]	UNPL	14	0.15[.006]	01215	192008-5
[.050]	--	BeCu	[5.20]	--	3-2	52	0.15[.006]	01040	192008-4
[.050]	--	BeCu	NOTE12	--	3-2	--	0.15[.006]	01014	192008-3
[.050]	--	BeCu	NOTE12	--	UNPL	--	0.15[.006]	01042	192008-2
[.050]	--	BeCu	NOTE12	--	3-2	--	0.10[.004]	01050	192008-1



STYLE C
(STRIP)



STYLE B
(MALE)



- 1 FINISH: GOLD PLATE 10 uIN MIN.
 - 2 FINISH: NICKEL PLATE 40 uIN MIN.
 - 3 FINISH: SILVER PLATE 200 uIN MIN.
 - 4 NOT USED.
 - 5 NOT USED.
 - 6 NOT USED.
 - 7 NOT USED.
 - 8 NOT USED.
 - 9 NOT USED.
 - 10 NOT USED.
 - 11 PLATING NOTES TO BE INTERPRETED AS FOLLOWS, 3-2 AS 3 OVER 2.
 - 12 PRODUCT IS SOLD BY FOOT, 3 FEET MINIMUM.
- 13 PRELIMINARY PART NUMBER.
- 14 OBSOLETE PARTS: OBSOLETE CIS STREAMLINING PER D.RENAUD/D.SINISI

THIS DRAWING IS A CONTROLLED DOCUMENT.		DWN 06-30-92	RA JAYNE	STE TE Connectivity	
DIMENSIONS: INCHES		CHK --	APVD --		
TOLERANCES UNLESS OTHERWISE SPECIFIED:		PRODUCT SPEC		CONTACT BAND, MALE	
0 PLC ± -		APPLICATION SPEC		SIZE CAGE CODE DRAWING NO RESTRICTED TO	
1 PLC ± -		WEIGHT		A2 00779 C=192008	
2 PLC ± 0.5[.02]		CUSTOMER DRAWING		SCALE NTS SHEET 1 OF 1 REV J1	
3 PLC ± 0.25[.010]					
4 PLC ± -					
ANGLES ± -					
FINISH SEE TABLE					