



Chipsmall Limited consists of a professional team with an average of over 10 year of expertise in the distribution of electronic components. Based in Hongkong, we have already established firm and mutual-benefit business relationships with customers from,Europe,America and south Asia,supplying obsolete and hard-to-find components to meet their specific needs.

With the principle of "Quality Parts,Customers Priority,Honest Operation,and Considerate Service",our business mainly focus on the distribution of electronic components. Line cards we deal with include Microchip,ALPS,ROHM,Xilinx,Pulse,ON,Everlight and Freescale. Main products comprise IC,Modules,Potentiometer,IC Socket,Relay,Connector.Our parts cover such applications as commercial,industrial, and automotives areas.

We are looking forward to setting up business relationship with you and hope to provide you with the best service and solution. Let us make a better world for our industry!



Contact us

Tel: +86-755-8981 8866 Fax: +86-755-8427 6832

Email & Skype: info@chipsmall.com Web: www.chipsmall.com

Address: A1208, Overseas Decoration Building, #122 Zhenhua RD., Futian, Shenzhen, China

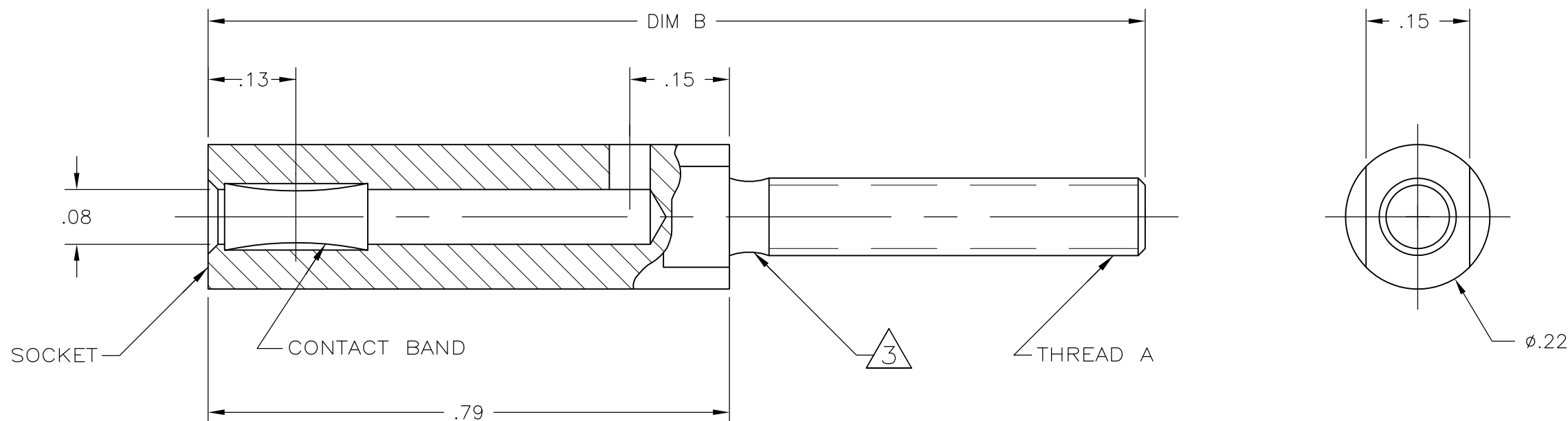


THIS DRAWING IS UNPUBLISHED. RELEASED FOR PUBLICATION
 © COPYRIGHT BY TYCO ELECTRONICS CORPORATION. ALL RIGHTS RESERVED.

LOC	DIST	REVISIONS			
P	LTR	DESCRIPTION	DATE	DWN	APVD
FT	0	B	REVISED PER 0G3B-0536-02	1/17/03	SS GS
		B1	REVISED PER ECO-09-023929	16OCT09	KK AEG

NOTES:

- 1 FINISH-SILVER PLATE SEMI-BRIGHT 200-400u INCHES THICK, OVER NICKEL.
- 2 FINISH GOLD PLATE 20-30u INCHES THICK, OVER NICKEL.
- 3. WIRE RACK PLATING MARKS PERMISSIBLE IN THREAD RELIEF. WHEN THREAD RELIEF IS ABSENT, FIRST FULL THREAD TO BE .050 FROM SHOULDER.
- 4 PRELIMINARY PART NUMBER.
- 5 OBSOLETE PARTS: OBSOLETE CIS STREAMLINING PER D.RENAUD/D.SINISI



4	1.11	1,3	M3 X 0.5-6g	--	192059-4
5	1.42	1,3	5 (.124)-40NC-2A	--	192059-3
OBSOLETE	1.42	2	5 (.124)-40NC-2A	10924	192059-2
	1.42	1,3	M3 X 0.5-6g	09014	192059-1
	DIM B	FINISH (NOTE NO.)	THREAD A	WAS	PART NO.

THIS DRAWING IS A CONTROLLED DOCUMENT.		DWN 03-13-92 D. WILSON	Tyco Electronics Corporation Harrisburg, PA 17105	
DIMENSIONS: INCHES		CHK 04-01-92 R. JAYNE	SOCKET ASSY, 2mm	
TOLERANCES UNLESS OTHERWISE SPECIFIED:		APVD -	NAME	
0 PLC ± -		PRODUCT SPEC -	SIZE	
1 PLC ± -		APPLICATION SPEC -	CAGE CODE	DRAWING NO
2 PLC ± .02		WEIGHT -	A3 00779	C-192059
3 PLC ± .010		RESTRICTED TO		
4 PLC ± -		CUSTOMER DRAWING		
ANGLES ± -		SCALE 5:1	SHEET 1 OF 1	REV B1
FINISH 1 2				