



Chipsmall Limited consists of a professional team with an average of over 10 year of expertise in the distribution of electronic components. Based in Hongkong, we have already established firm and mutual-benefit business relationships with customers from,Europe,America and south Asia,supplying obsolete and hard-to-find components to meet their specific needs.

With the principle of “Quality Parts,Customers Priority,Honest Operation,and Considerate Service”,our business mainly focus on the distribution of electronic components. Line cards we deal with include Microchip,ALPS,ROHM,Xilinx,Pulse,ON,Everlight and Freescale. Main products comprise IC,Modules,Potentiometer,IC Socket,Relay,Connector.Our parts cover such applications as commercial,industrial, and automotives areas.

We are looking forward to setting up business relationship with you and hope to provide you with the best service and solution. Let us make a better world for our industry!



Contact us

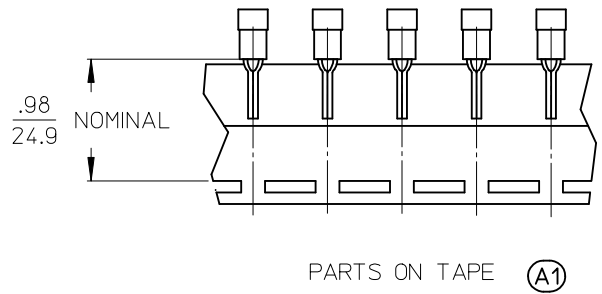
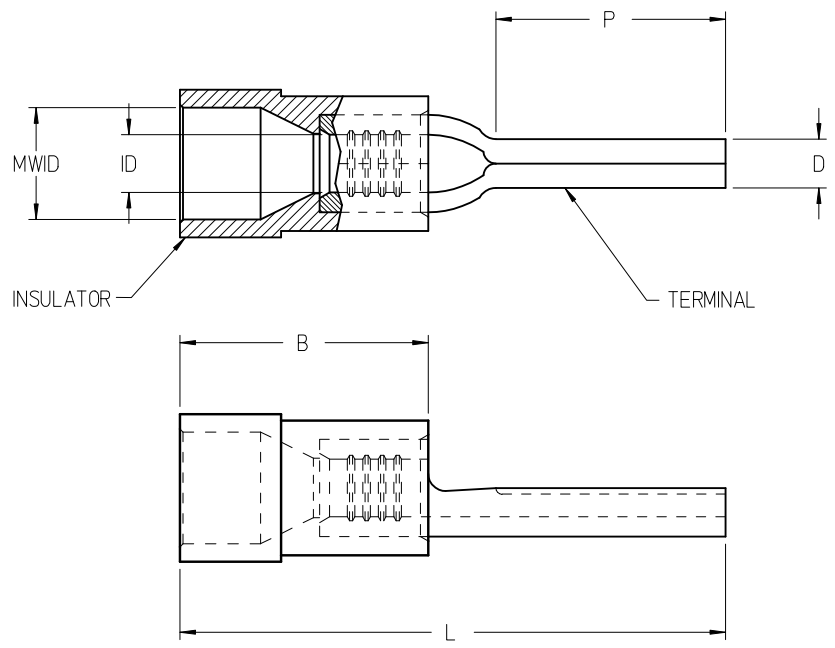
Tel: +86-755-8981 8866 Fax: +86-755-8427 6832

Email & Skype: info@chipsmall.com Web: www.chipsmall.com

Address: A1208, Overseas Decoration Building, #122 Zhenhua RD., Futian, Shenzhen, China



MATERIAL NO. LOOSE PIECE	ENGINEERING NO. LOOSE PIECE	MATERIAL NO. ON TAPE	ENGINEERING NO. ON TAPE	WIRE SIZE	INSULATOR COLOR	ID MINIMUM	L MAXIMUM	P (A1) MINIMUM	D ±.01/0.25	MWID	B MAX (A1)
192120003	WP-2218X	192120004	WP-2218XT	22-18 AWG	RED	.055/1.40	.93/23.6	.35/8.9	.078/1.98	.145/3.68	.41/10.4
192120005	WP-2614X	192120006	WP-2614XT	16-14 AWG	BLUE	.081/2.06 (A1)	.93/23.6	.35/8.9	.078/1.98	.175/4.44	.41/10.4
192120001	WP-2210X	192120002	WP-2210XT	12-10 AWG	YELLOW	.126/3.20	1.12/28.4	.41/10.4	.107/2.72	.250/6.35	.56/14.2



NOTES:

1. TERMINAL MATERIAL: COPPER
2. TERMINAL FINISH: TIN PLATED
3. INSULATOR MATERIAL: PVC
4. MWID = MAXIMUM WIRE INSULATION DIAMETER.
5. PARTS ARE ROHS COMPLIANT.

CORRECT TOLERANCES EC NO: WNA2009-0437 DRW: HETHRODAHL 2010/02/19 CHKD: JMACNEIL 2010/03/01 APPR: JMACNEIL 2010/03/18 A1	QUALITY SYMBOLS ▽=0 ▽=0	GENERAL TOLERANCES (UNLESS SPECIFIED) mm INCH 4 PLACES ±--- ±--- 3 PLACES ±--- ±--- 2 PLACES ±--- ±--- 1 PLACE ±--- ±--- ANGULAR ±---°	DIMENSION STYLE IN/MM DRAWN BY DATE EMF 1992/10/08 CHECKED BY DATE JM 1992/10/08 APPROVED BY DATE JMACNEIL 2010/03/18	SCALE 5:1 DESIGN UNITS INCH THIRD ANGLE PROJECTION	TITLE WIRE PIN TERMINAL, INSULKRIMP
	DRAFT WHERE APPLICABLE MUST REMAIN WITHIN DIMENSIONS	MATERIAL NO. SEE CHART	DOCUMENT NO. SD-19212-001	SHEET NO. 1 OF 1	
	MOLEX INCORPORATED				
	THIS DRAWING CONTAINS INFORMATION THAT IS PROPRIETARY TO MOLEX INCORPORATED AND SHOULD NOT BE USED WITHOUT WRITTEN PERMISSION				