



Chipsmall Limited consists of a professional team with an average of over 10 year of expertise in the distribution of electronic components. Based in Hongkong, we have already established firm and mutual-benefit business relationships with customers from,Europe,America and south Asia,supplying obsolete and hard-to-find components to meet their specific needs.

With the principle of "Quality Parts,Customers Priority,Honest Operation,and Considerate Service",our business mainly focus on the distribution of electronic components. Line cards we deal with include Microchip,ALPS,ROHM,Xilinx,Pulse,ON,Everlight and Freescale. Main products comprise IC,Modules,Potentiometer,IC Socket,Relay,Connector.Our parts cover such applications as commercial,industrial, and automotives areas.

We are looking forward to setting up business relationship with you and hope to provide you with the best service and solution. Let us make a better world for our industry!



## Contact us

Tel: +86-755-8981 8866 Fax: +86-755-8427 6832

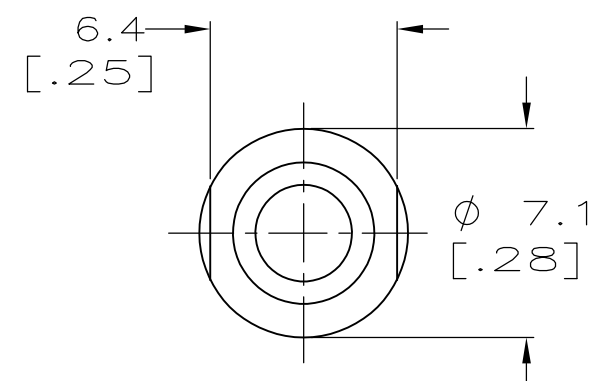
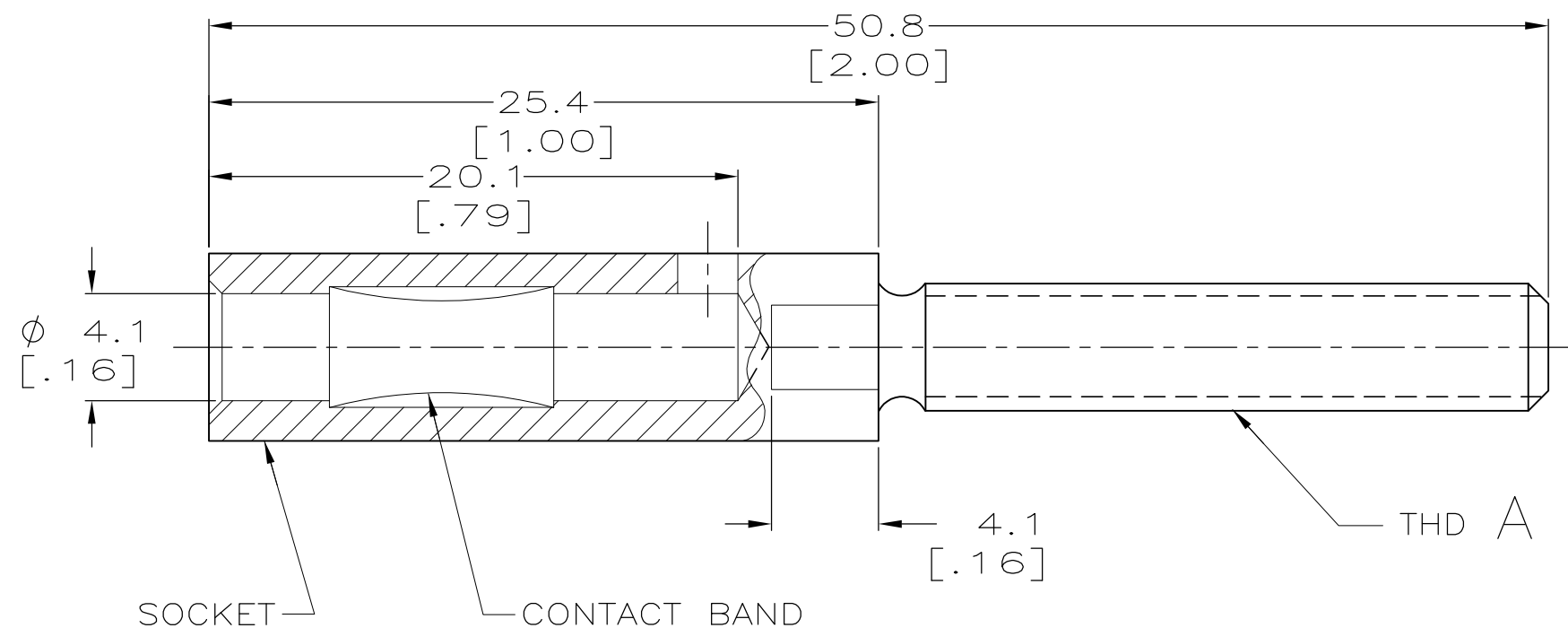
Email & Skype: info@chipsmall.com Web: www.chipsmall.com

Address: A1208, Overseas Decoration Building, #122 Zhenhua RD., Futian, Shenzhen, China



THIS DRAWING IS UNPUBLISHED. RELEASED FOR PUBLICATION ,19 .  
 © COPYRIGHT 19 BY AMP INCORPORATED. ALL INTERNATIONAL RIGHTS RESERVED.

LOC	DIST	P	F	REVISIONS				
				ZONE	LTR	DESCRIPTION	DATE	APPD
CH	11				A	ECN96022902	01/MAR/96	-
					A1	REVISED PER ECO-09-020935	08SEP09	AEG



NOTE:

1 OBSOLETE PARTS: OBSOLETE CIS STREAMLINING PER D.RENAUD/D.SINISI

1 OBSOLETE	M5 X 0.8	09025	192129-2
	10-32 UNF-2A	09110	192129-1

THD A	HUGIN NO.	PART NO
-------	-----------	---------

DO NOT SCALE PRINT. UNLESS SPECIFIED DIMENSIONS IN mm [INCHES] TOLERANCES ON:	DR RA JAYNE 11-07-91
1 PLC DEC ± 0.25	CHK S.SIEGRIST 02-06-92
3 PLC DEC ± -	APPD S.SIEGRIST 02-06-92
ANGLES ± -	APPD P.GLASER 02-06-92
MATERIAL BRASS	PRODUCT SPEC -
FINISH SILVER PLATE	APPLICATION SPEC -
	WEIGHT -

AMP Incorporated Harrisburg, PA 17105-3608		
NAME SOCKET, 4mm		
SIZE B	CAGE CODE 00779	DRAWING NO 192129
SCALE 4:1	SHEET 1 OF 1	

**METRIC**