



Chipsmall Limited consists of a professional team with an average of over 10 year of expertise in the distribution of electronic components. Based in Hongkong, we have already established firm and mutual-benefit business relationships with customers from,Europe,America and south Asia,supplying obsolete and hard-to-find components to meet their specific needs.

With the principle of “Quality Parts,Customers Priority,Honest Operation,and Considerate Service”,our business mainly focus on the distribution of electronic components. Line cards we deal with include Microchip,ALPS,ROHM,Xilinx,Pulse,ON,Everlight and Freescale. Main products comprise IC,Modules,Potentiometer,IC Socket,Relay,Connector.Our parts cover such applications as commercial,industrial, and automotives areas.

We are looking forward to setting up business relationship with you and hope to provide you with the best service and solution. Let us make a better world for our industry!



Contact us

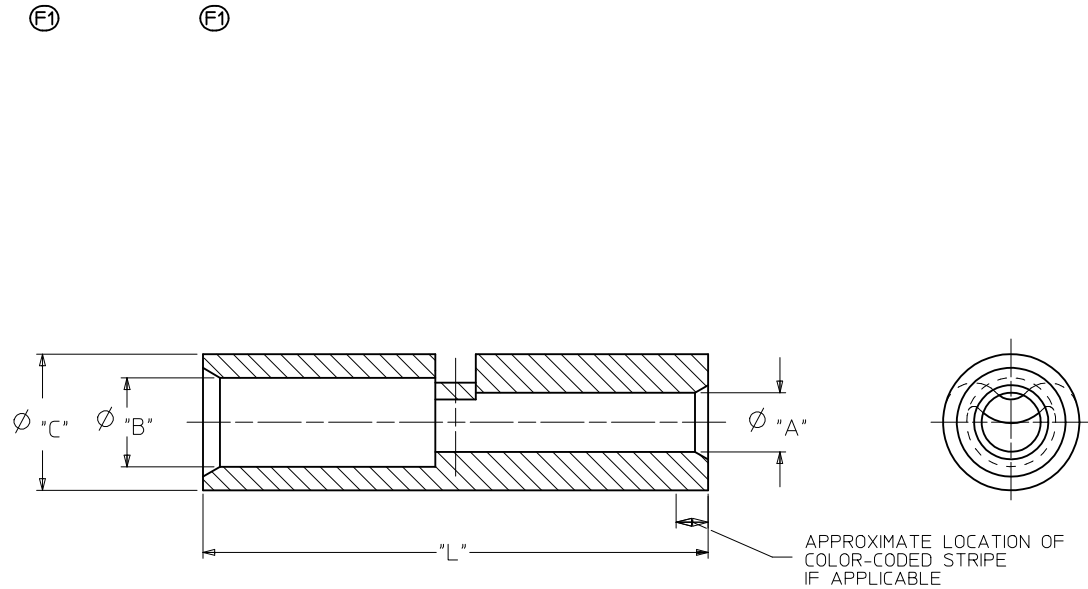
Tel: +86-755-8981 8866 Fax: +86-755-8427 6832

Email & Skype: info@chipsmall.com Web: www.chipsmall.com

Address: A1208, Overseas Decoration Building, #122 Zhenhua RD., Futian, Shenzhen, China



MATERIAL NUMBER	ENG. NUMBER	CODE STRIPE COLOR	"A"		"B"		"C" MAX.	"L" MAX.	CMA RANGE	
			AWG.	MIN. DIA.	AWG.	MIN. DIA.			LARGE I.D. TO	SMALL I.D.
I92150013	BA-331	RED	22-18	.071/1.80	16-14	.088/2.24	.160/4.06	.675/17.15	2050-5180	TO 509-2600
I92150023	CB-346	BLUE	16-14	.097/2.46	12-10	.137/3.48	.223/5.66	.827/21.0	5180-13,100	TO 2050-5180
I92150037	DC-354	YELLOW	12-10	.139/3.53	#8	.172/4.37	.291/7.39	.854/21.69	13,100-20,800	TO 5180-13,100
I92150042	ED-362	RED	#8	.182/4.62	#6	.237/6.02	.375/9.53	1.045/26.54	20,800-33,100	TO 13,100-20800



SALES DRAWING

- NOTES:
- MATERIAL: COPPER
FINISH: ELECTRO-TIN
 - DELETED
 - PART IS ROHS COMPLIANT.

CORRECTED DIMS EC NO: WNA2010-0735 DRW: HETHRODAHL 2010/05/26 CHKD: JMAGNEIL 2010/05/26 APPR: JMAGNEIL 2010/06/04	QUALITY SYMBOLS	GENERAL TOLERANCES (UNLESS SPECIFIED) <table border="1"> <tr> <th></th> <th>mm</th> <th>INCH</th> </tr> <tr> <td>4 PLACES</td> <td>± .005</td> <td>± .0005</td> </tr> <tr> <td>3 PLACES</td> <td>± .004</td> <td>± .0004</td> </tr> <tr> <td>2 PLACES</td> <td>± .003</td> <td>± .0003</td> </tr> <tr> <td>1 PLACE</td> <td>± .002</td> <td>± .0002</td> </tr> <tr> <td colspan="3">ANGULAR ± .005°</td> </tr> </table>		mm	INCH	4 PLACES	± .005	± .0005	3 PLACES	± .004	± .0004	2 PLACES	± .003	± .0003	1 PLACE	± .002	± .0002	ANGULAR ± .005°			DIMENSION STYLE	SCALE	DESIGN UNITS	THIRD ANGLE PROJECTION
			mm	INCH																				
	4 PLACES		± .005	± .0005																				
	3 PLACES		± .004	± .0004																				
2 PLACES	± .003	± .0003																						
1 PLACE	± .002	± .0002																						
ANGULAR ± .005°																								
	IN/MM	5:1	INCH	STEP DOWN BUTT CONNECTOR VERSAKRIMP																				
	DRAWN BY RMARSHALL	DATE 91/10/28	CHECKED BY RDEROSS	DATE 91/10/28	MOLEX INCORPORATED																			
	APPROVED BY RDEROSS	DATE 91/10/28	MATERIAL NO.	DOCUMENT NO. SD-19215-004	SHEET NO. 1 OF 1																			