



Chipsmall Limited consists of a professional team with an average of over 10 year of expertise in the distribution of electronic components. Based in Hongkong, we have already established firm and mutual-benefit business relationships with customers from,Europe,America and south Asia,supplying obsolete and hard-to-find components to meet their specific needs.

With the principle of “Quality Parts,Customers Priority,Honest Operation,and Considerate Service”,our business mainly focus on the distribution of electronic components. Line cards we deal with include Microchip,ALPS,ROHM,Xilinx,Pulse,ON,Everlight and Freescale. Main products comprise IC,Modules,Potentiometer,IC Socket,Relay,Connector.Our parts cover such applications as commercial,industrial, and automotives areas.

We are looking forward to setting up business relationship with you and hope to provide you with the best service and solution. Let us make a better world for our industry!



## Contact us

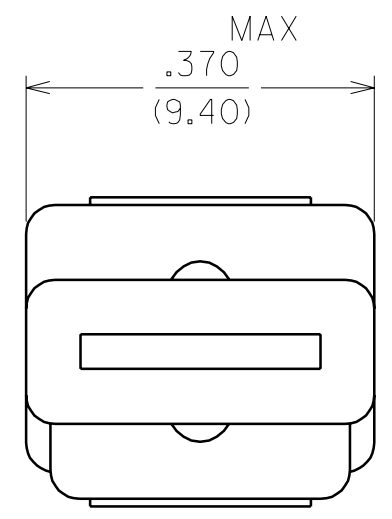
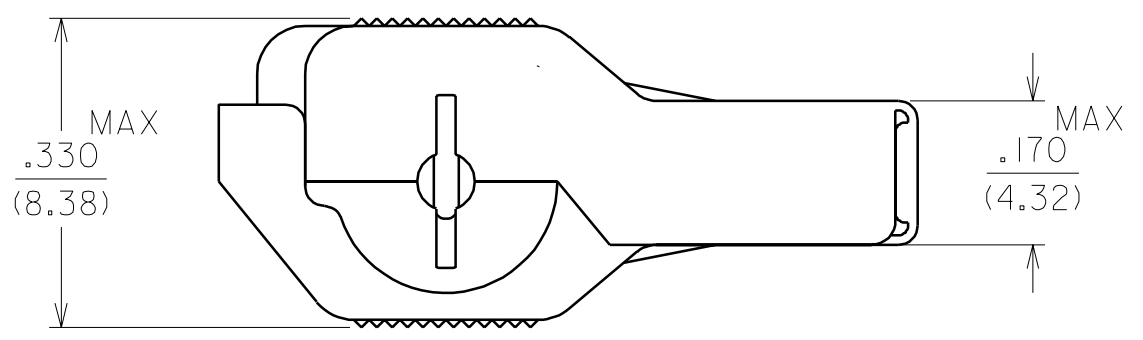
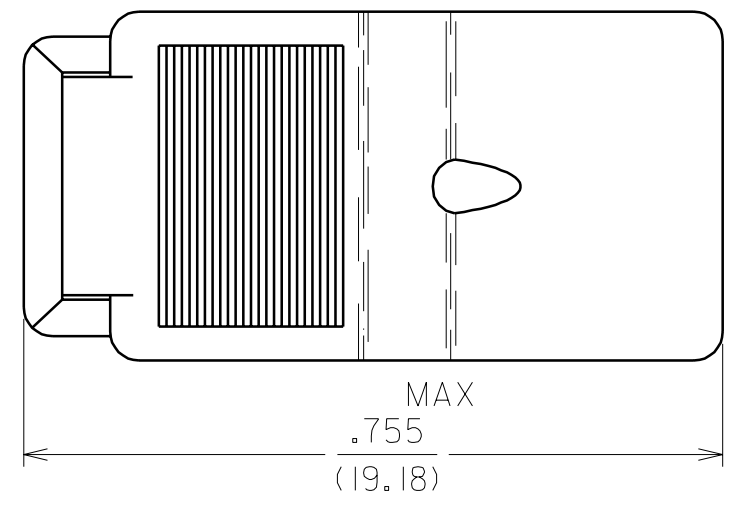
Tel: +86-755-8981 8866 Fax: +86-755-8427 6832

Email & Skype: info@chipsmall.com Web: www.chipsmall.com

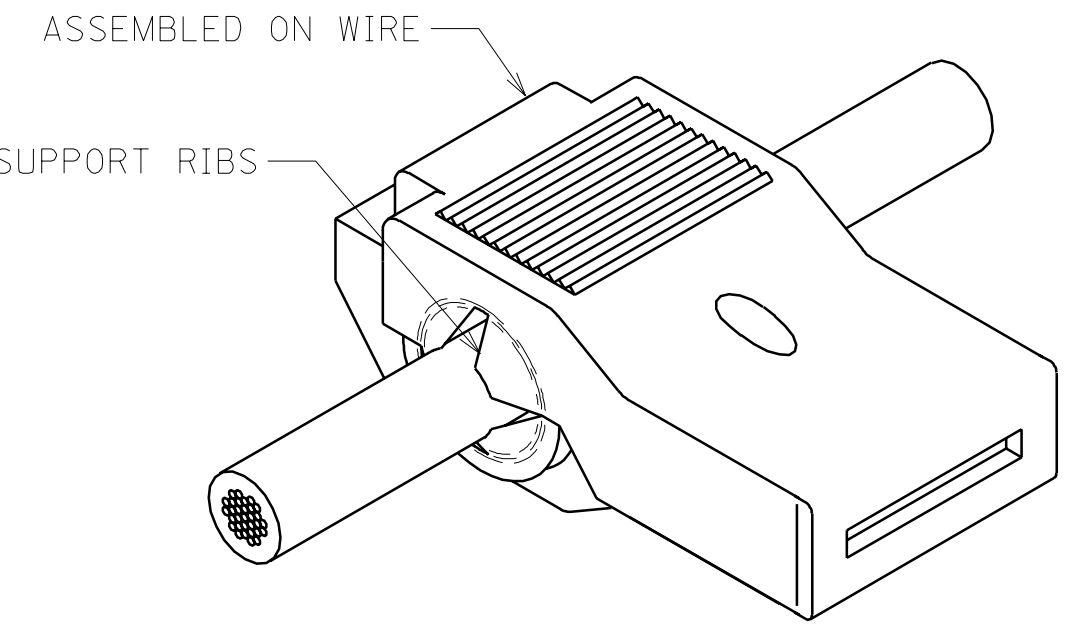
Address: A1208, Overseas Decoration Building, #122 Zhenhua RD., Futian, Shenzhen, China



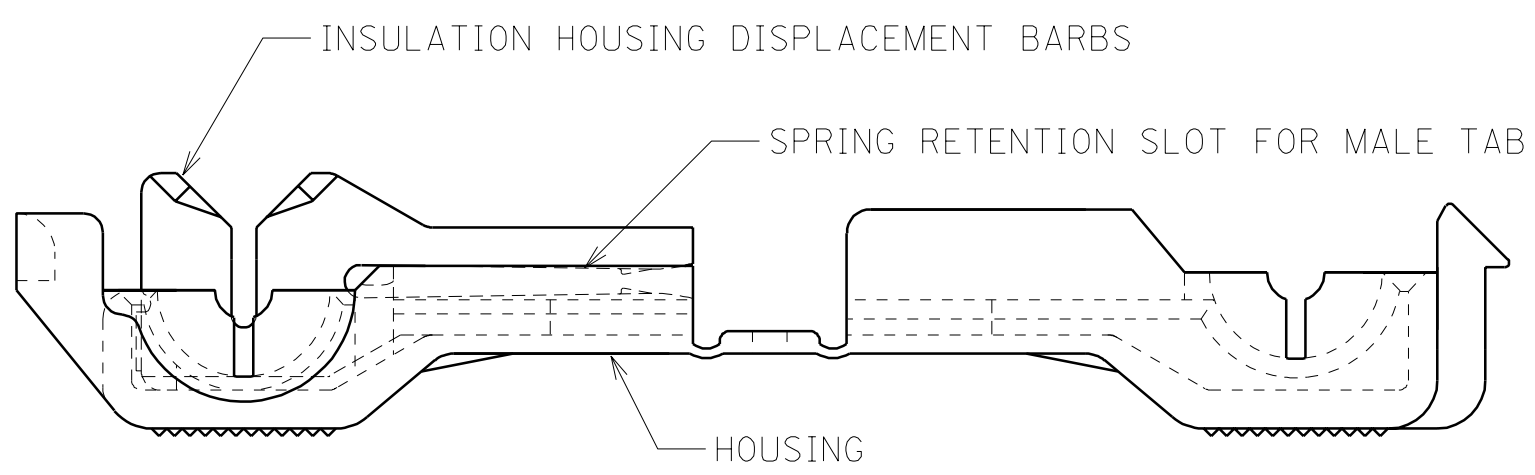
MATERIAL NO.	ALTERNATE NO.	WIRE RANGE AWG(mm2)	HOUSING COLOR
192160011	WT-2218	22-18(.34-.75)	RED
192160010	WT-1814	18-14(.75-2.5)	BLUE
192160009	WT-12	12(4.0)	YELLOW



CLOSED POSITION AFTER ASSEMBLY ON WIRE



- NOTES:
- MATERIALS  
HOUSING: UNFILLED NYLON UL FLAMMABILITY  
RATING 94V-2  
COLOR: SEE TABLE  
TERMINAL: COPPER ALLOY
  - FINISH  
TERMINAL: TIN



OPEN POSITION PRIOR TO ASSEMBLY ON WIRE

B	VOIDS DWG. WT-CD ETC2000-0001 HEB 99/7/2
A	SEE ECN* 1137 09/08/94 RCM
LTR.	REVISIONS

CUSTOMER DRAWING

DIMENSIONS SHOWN (METRIC) INCH		REVISE ONLY ON CAD SYSTEM	
UNLESS OTHERWISE SPECIFIED TOLERANCES: ANGULAR ± 1/2°		TITLE WIRE TAP MULTIMATE	
	INCH	METRIC	
3 PLACE	± .005	± ---	
2 PLACE	± .01	± 0.13	
1 PLACE	± ---	± 0.25	
DRAFT WHERE APPLICABLE MUST REMAIN WITHIN DIMENSIONS			
DRWG. BY RCM	CHK'D. BY JM	SHEET NO. 1 OF 1	DATE 09/07/94
PART NO. SEE TABLE		DRWG. NO. SD-19216-001	
APP'D. BY FP	SCALE 5: 1	FILE NAME 19216001 SD	THIS DRAWING CONTAINS INFORMATION THAT IS PROPRIETARY TO MOLEX-ETC INC. AND SHOULD NOT BE USED WITHOUT WRITTEN PERMISSION.
		DIV. ETC	SIZE B