



Chipsmall Limited consists of a professional team with an average of over 10 year of expertise in the distribution of electronic components. Based in Hongkong, we have already established firm and mutual-benefit business relationships with customers from,Europe,America and south Asia,supplying obsolete and hard-to-find components to meet their specific needs.

With the principle of “Quality Parts,Customers Priority,Honest Operation,and Considerate Service”,our business mainly focus on the distribution of electronic components. Line cards we deal with include Microchip,ALPS,ROHM,Xilinx,Pulse,ON,Everlight and Freescale. Main products comprise IC,Modules,Potentiometer,IC Socket,Relay,Connector.Our parts cover such applications as commercial,industrial, and automotives areas.

We are looking forward to setting up business relationship with you and hope to provide you with the best service and solution. Let us make a better world for our industry!



Contact us

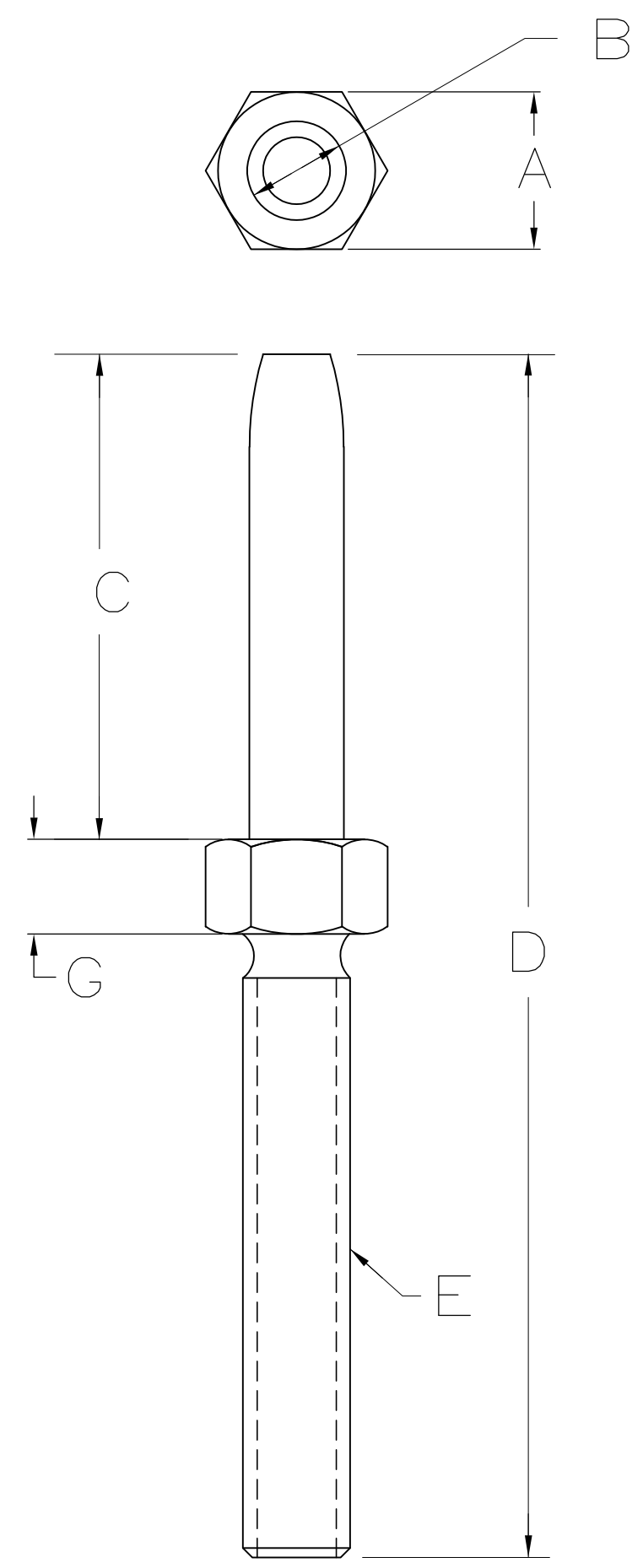
Tel: +86-755-8981 8866 Fax: +86-755-8427 6832

Email & Skype: info@chipsmall.com Web: www.chipsmall.com

Address: A1208, Overseas Decoration Building, #122 Zhenhua RD., Futian, Shenzhen, China

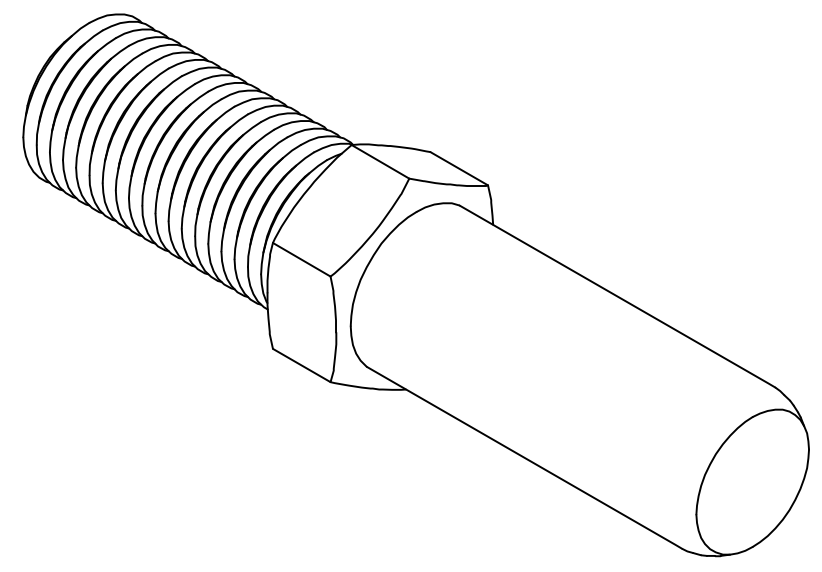


LOC	DIST	P	F	ZONE	LTR	DESCRIPTION	DATE	APPD
CH	11				A 1	REV'D AND REDRAWN		
					B	ECN CH-0141		
					C	ECN OB20-1046-98		RAR
					D	ECN OB20-1046-98	14/AUG/98	RAR
					E	ECN OB20-1048-98	14/AUG/98	RAR
					EI	REVISED PER ECO-09-020935	08SEP09	AEG



NOTE:
 1 OBSOLETE PARTS: OBSOLETE CIS STREAMLINING PER D.RENAUD/D.SINISI

OBSOLETE	SUPERCEDED TO 192293-1									1-192161-1
	NOT AVAILABLE									1-192161-0
	NOT AVAILABLE									192161-9
	NOT AVAILABLE									192161-8
	NOT AVAILABLE									192161-7
	10264	NICKEL	BRASS	5/16	3.8 [.15]	19.8 [.78]	51.6 [2.03]	1/4-28	6.0 [.236]	192161-6
	SUPERCEDED TO 192244-1									192161-5
OBSOLETE	09038	SIL	BRASS	5/16	3.8 [.15]	19.8 [.78]	51.6 [2.03]	M6 X 1-6g	6.0 [.236]	192161-4
	10962	SIL	BRASS	1/4	3.8 [.15]	19.6 [.77]	33.8 [1.33]	10-32	4.0 [.157]	192161-3
	09027	SIL	BRASS	1/4	3.8 [.15]	19.6 [.77]	48.5 [1.91]	M5 X 0.8-6g	4.0 [.157]	192161-2
	09174	SIL	BRASS	1/4	3.8 [.15]	19.6 [.77]	48.5 [1.91]	10-32	4.0 [.157]	192161-1
HUGIN NO.	FINISH	MATERIAL	HEX SIZE A	HEX LENGTH G	PIN LENGTH C	TOT. LENGTH D	THREAD E	PIN DIAM B	PART NO	



METRIC

DO NOT SCALE PRINT. UNLESS SPECIFIED DIMENSIONS IN mm [INCHES] TOLERANCES ON : 1 PLC DEC ± 0.5 [.02] 2 PLC DEC ± 0.25 [.010] ANGLES ± -	DR D. BABOW 10-17-91	AMP AMP Incorporated Harrisburg, PA 17105-3608	
MATERIAL SEE TABLE	CHK - APPD -	NAME PIN, THREAD MOUNT	
FINISH SEE TABLE	APPD - PRODUCT SPEC - APPLICATION SPEC -	SIZE C	CAGE CODE 00779
	WEIGHT -	DRAWING NO 192161	SHEET 1 OF 1