



Chipsmall Limited consists of a professional team with an average of over 10 year of expertise in the distribution of electronic components. Based in Hongkong, we have already established firm and mutual-benefit business relationships with customers from,Europe,America and south Asia,supplying obsolete and hard-to-find components to meet their specific needs.

With the principle of "Quality Parts,Customers Priority,Honest Operation,and Considerate Service",our business mainly focus on the distribution of electronic components. Line cards we deal with include Microchip,ALPS,ROHM,Xilinx,Pulse,ON,Everlight and Freescale. Main products comprise IC,Modules,Potentiometer,IC Socket,Relay,Connector.Our parts cover such applications as commercial,industrial, and automotives areas.

We are looking forward to setting up business relationship with you and hope to provide you with the best service and solution. Let us make a better world for our industry!



Contact us

Tel: +86-755-8981 8866 Fax: +86-755-8427 6832

Email & Skype: info@chipsmall.com Web: www.chipsmall.com

Address: A1208, Overseas Decoration Building, #122 Zhenhua RD., Futian, Shenzhen, China

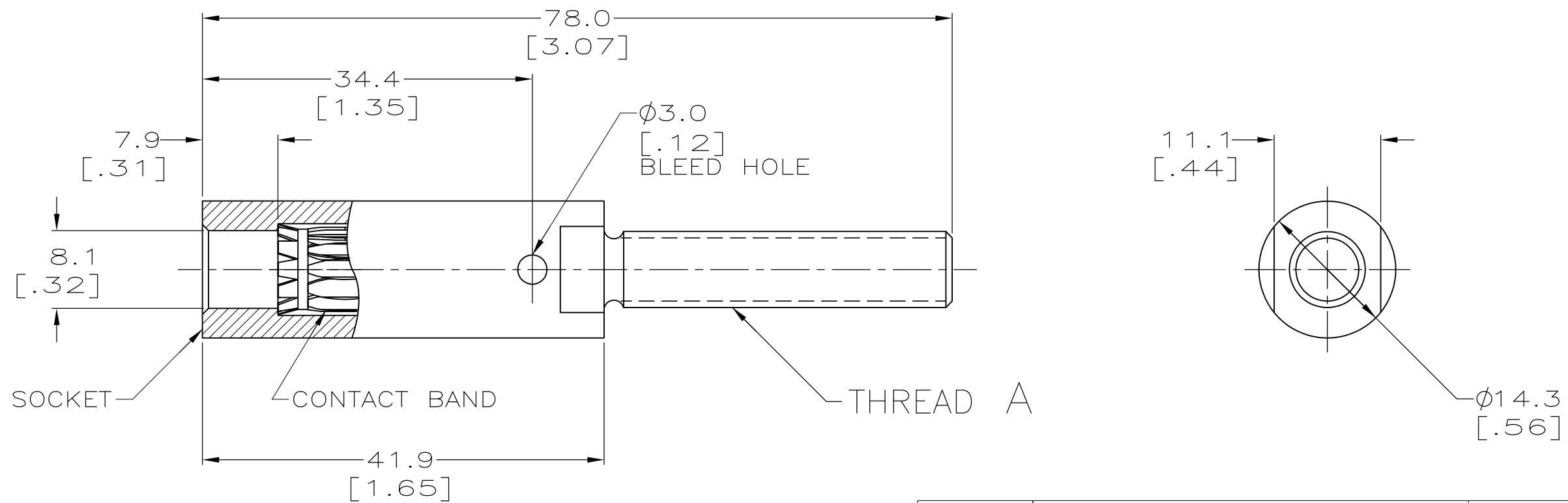


THIS DRAWING IS UNPUBLISHED. RELEASED FOR PUBLICATION ,19 .
 © COPYRIGHT 19 BY AMP INCORPORATED. ALL INTERNATIONAL RIGHTS RESERVED.

LOC	DIST	P	F	ZONE	LTR	DESCRIPTION	DATE	APPD
CH	11				A	ECN 92102701		
					B	EC 0B20-1551-98	20/NOV/98	RNP
					B1	REVISED PER ECO-09-020935	09SEP09	AEG

1. WIRE RACK MARKS PERMISSIBLE IN THREAD RELIEF AFTER PLATING.

△2 OBSOLETE PARTS: OBSOLETE CIS STREAMLINING PER D.RENAUD/D.SINISI



△2 OBSOLETE	M8 X 1.25-6g	192271-3
	5/16-24UNF-2A W/HARDWARE	192271-2
	5/16-24UNF-2A	192271-1

DO NOT SCALE PRINT. UNLESS SPECIFIED DIMENSIONS IN mm [INCHES] TOLERANCES ON:		DR D. WILSON 03-12-92	AMP AMP Incorporated Harrisburg, PA 17105-3608
1 PLC DEC ± 0.5 [.02] 2 PLC DEC ± 0.25 [.010] ANGLES ± -		CHK R. JAYNE 03-13-92	
MATERIAL	BRASS	APPD S. SIEGRIST 03-17-92	NAME
FINISH	SILVER PLATE 200-400µ THK	APPD P. GLASER 03-17-92	SOCKET ASSY, 8mm
		PRODUCT SPEC -	SIZE
		APPLICATION SPEC -	CAGE CODE
		WEIGHT -	DRAWING NO
			192271
			SCALE
			2:1
			SHEET
			1 OF 1