



Chipsmall Limited consists of a professional team with an average of over 10 year of expertise in the distribution of electronic components. Based in Hongkong, we have already established firm and mutual-benefit business relationships with customers from,Europe,America and south Asia,supplying obsolete and hard-to-find components to meet their specific needs.

With the principle of “Quality Parts,Customers Priority,Honest Operation,and Considerate Service”,our business mainly focus on the distribution of electronic components. Line cards we deal with include Microchip,ALPS,ROHM,Xilinx,Pulse,ON,Everlight and Freescale. Main products comprise IC,Modules,Potentiometer,IC Socket,Relay,Connector.Our parts cover such applications as commercial,industrial, and automotives areas.

We are looking forward to setting up business relationship with you and hope to provide you with the best service and solution. Let us make a better world for our industry!



## Contact us

Tel: +86-755-8981 8866 Fax: +86-755-8427 6832

Email & Skype: info@chipsmall.com Web: www.chipsmall.com

Address: A1208, Overseas Decoration Building, #122 Zhenhua RD., Futian, Shenzhen, China

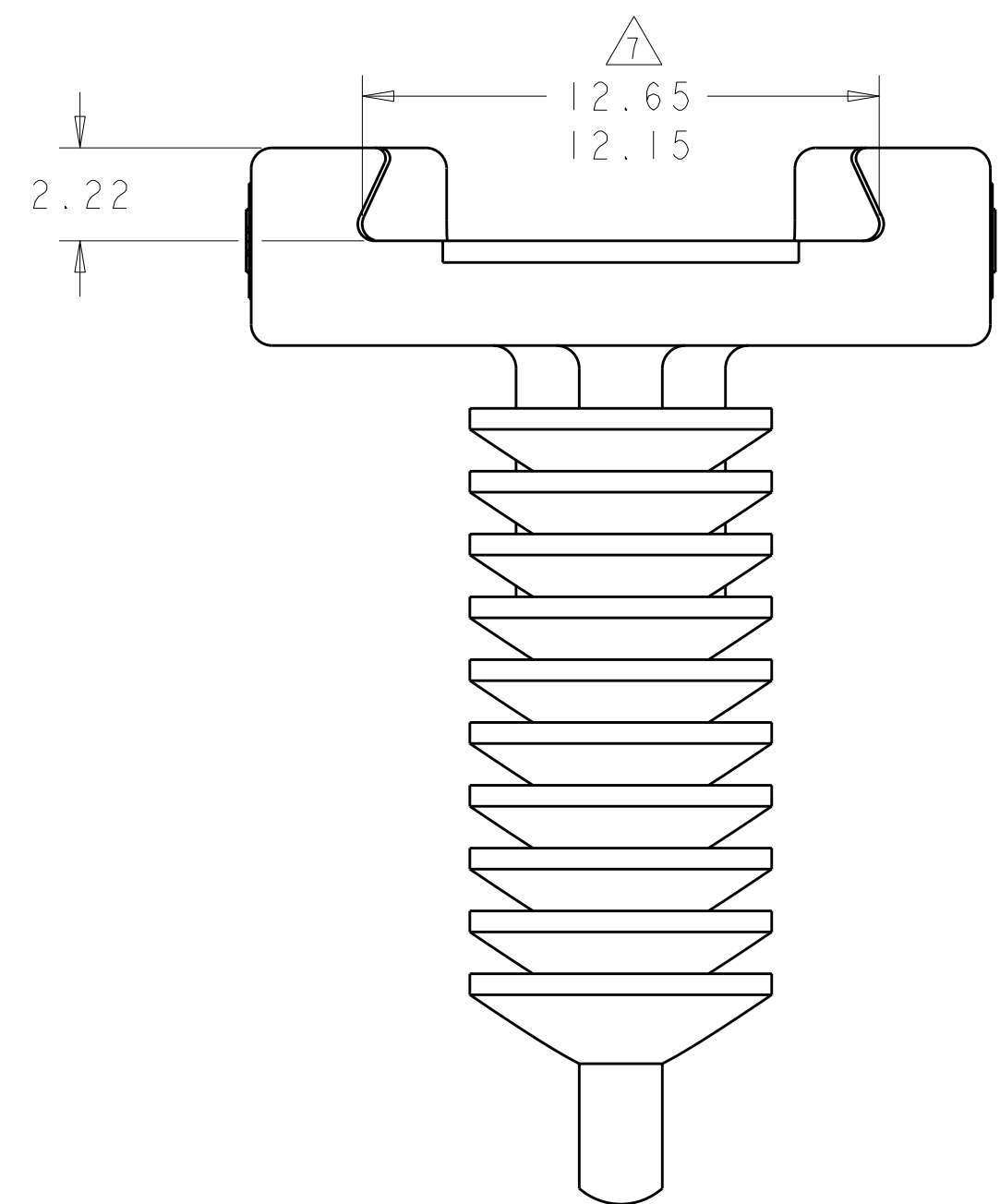


LOC	DIST	REV	DATE	BY	APPD
HK	00	C1	17AUG2010	DD	RB
REVISIONS			DESCRIPTION	DATE	DWN
C1			REVISED PER ECO-10-016898	17AUG2010	DD

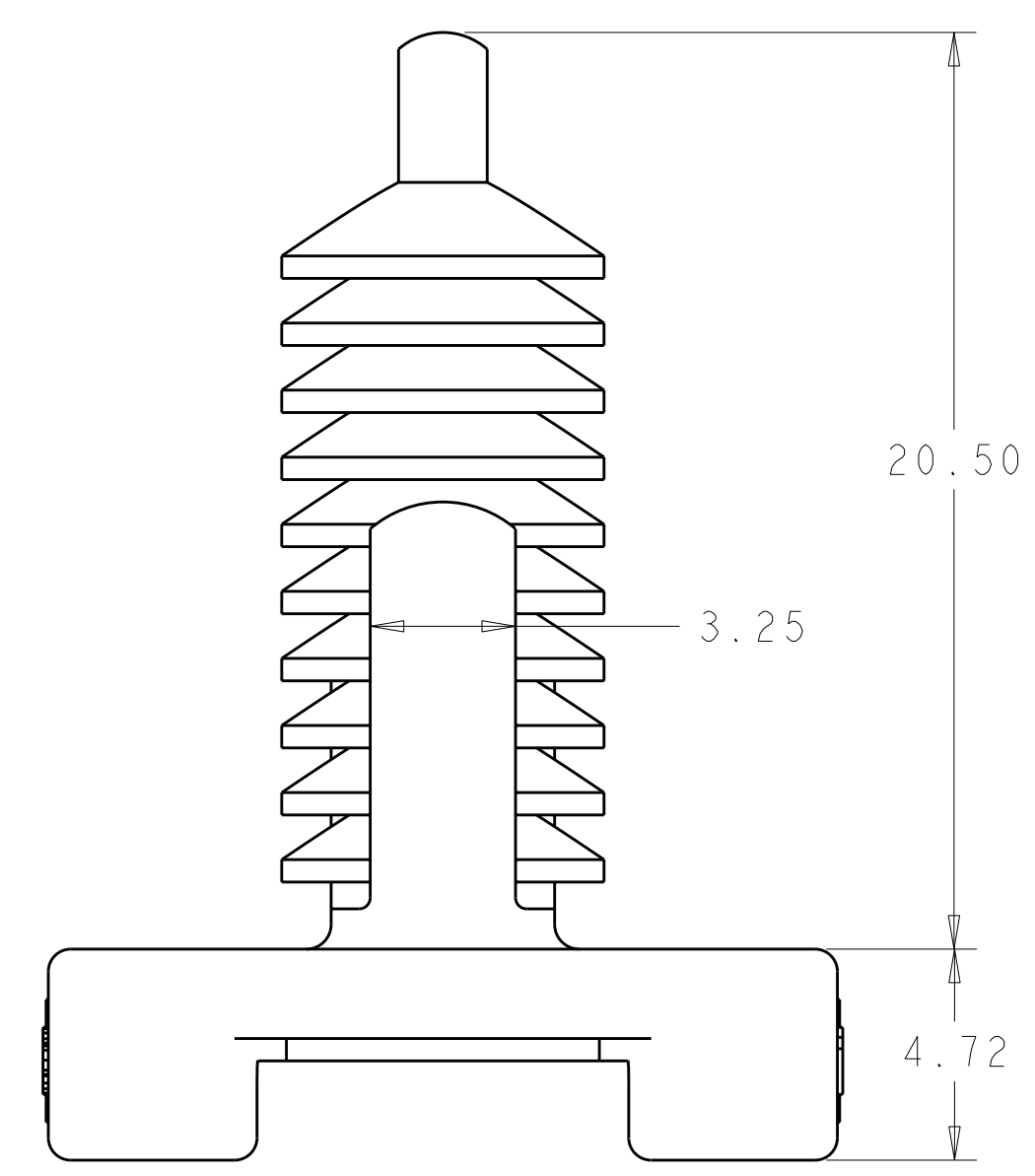
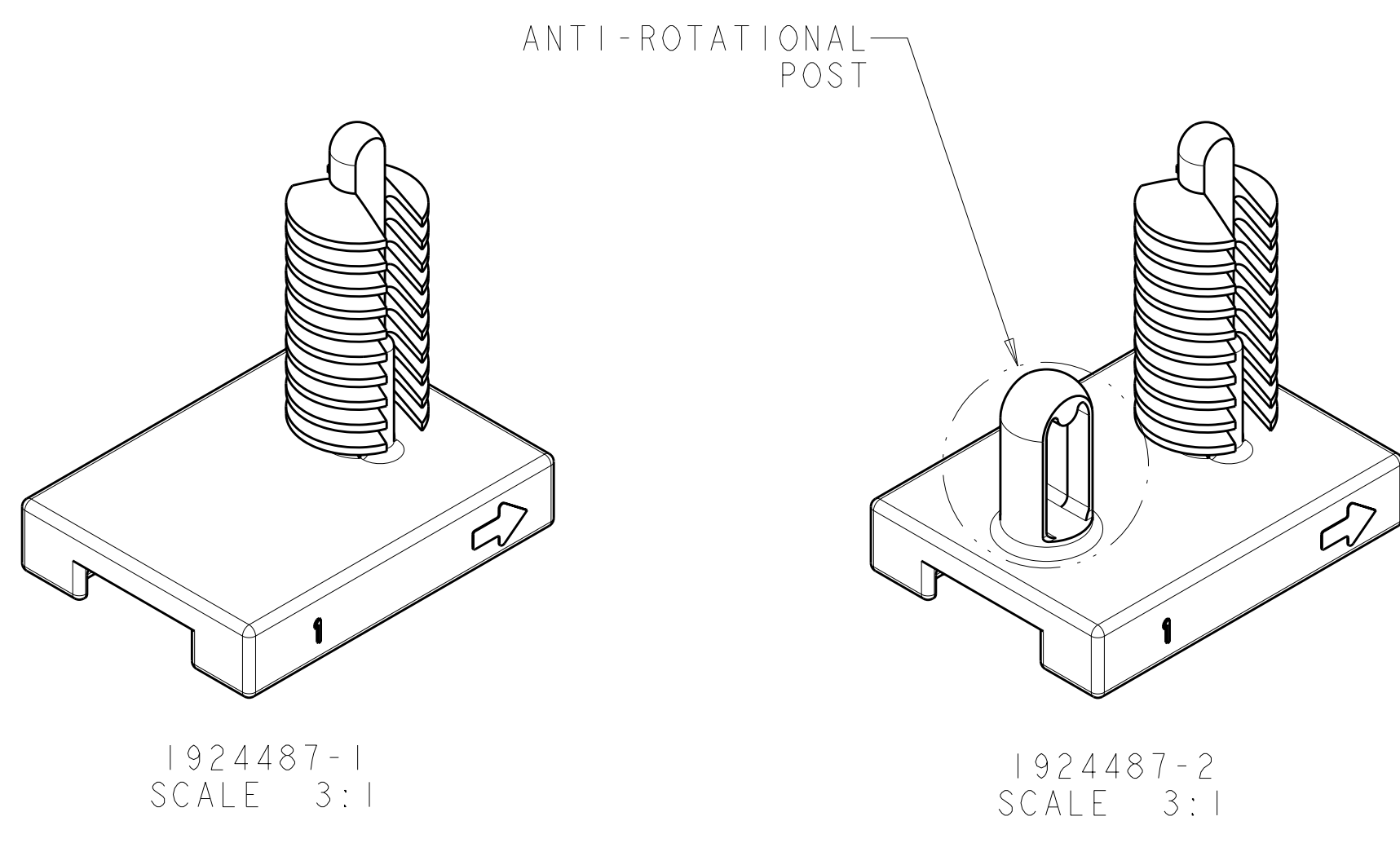
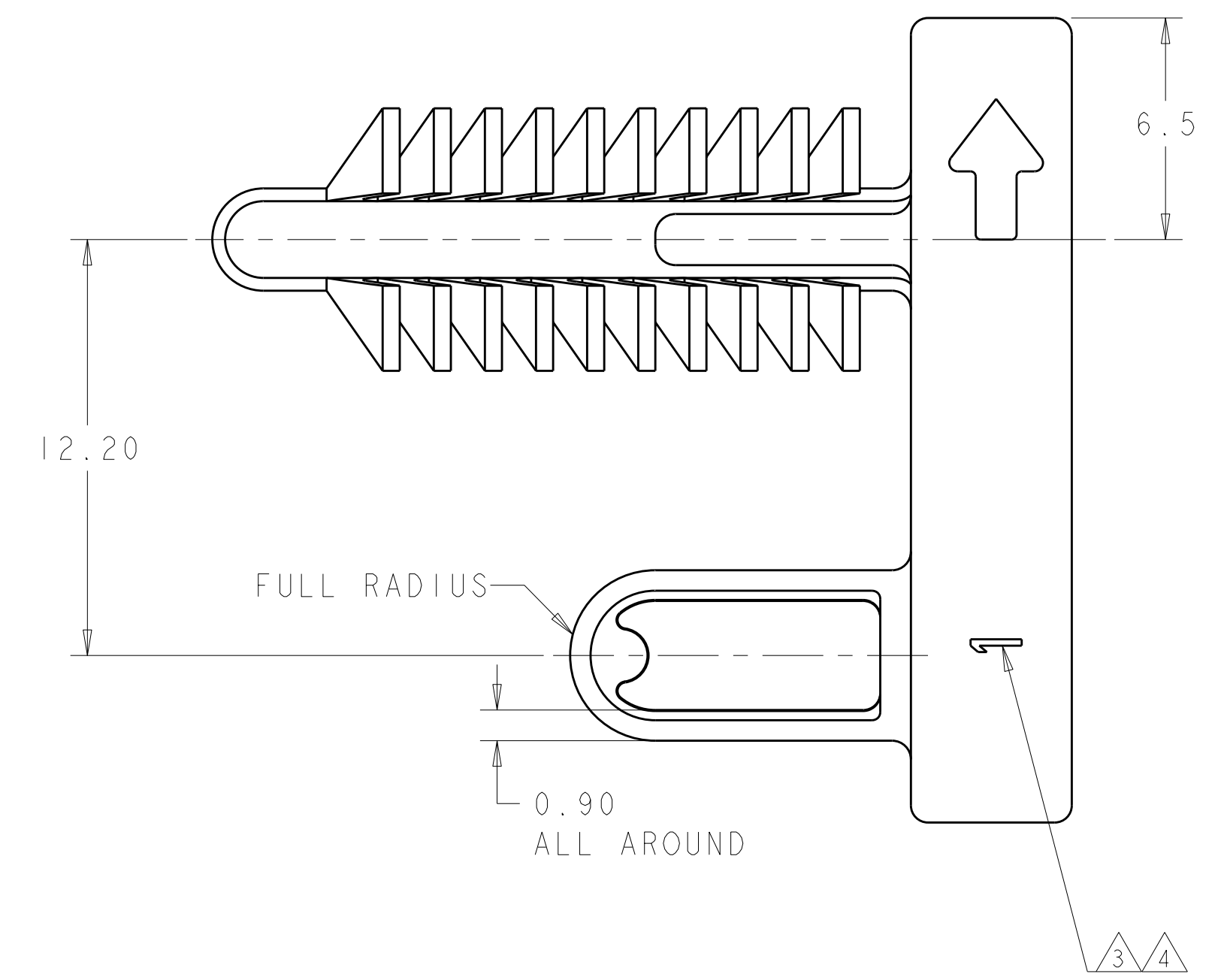
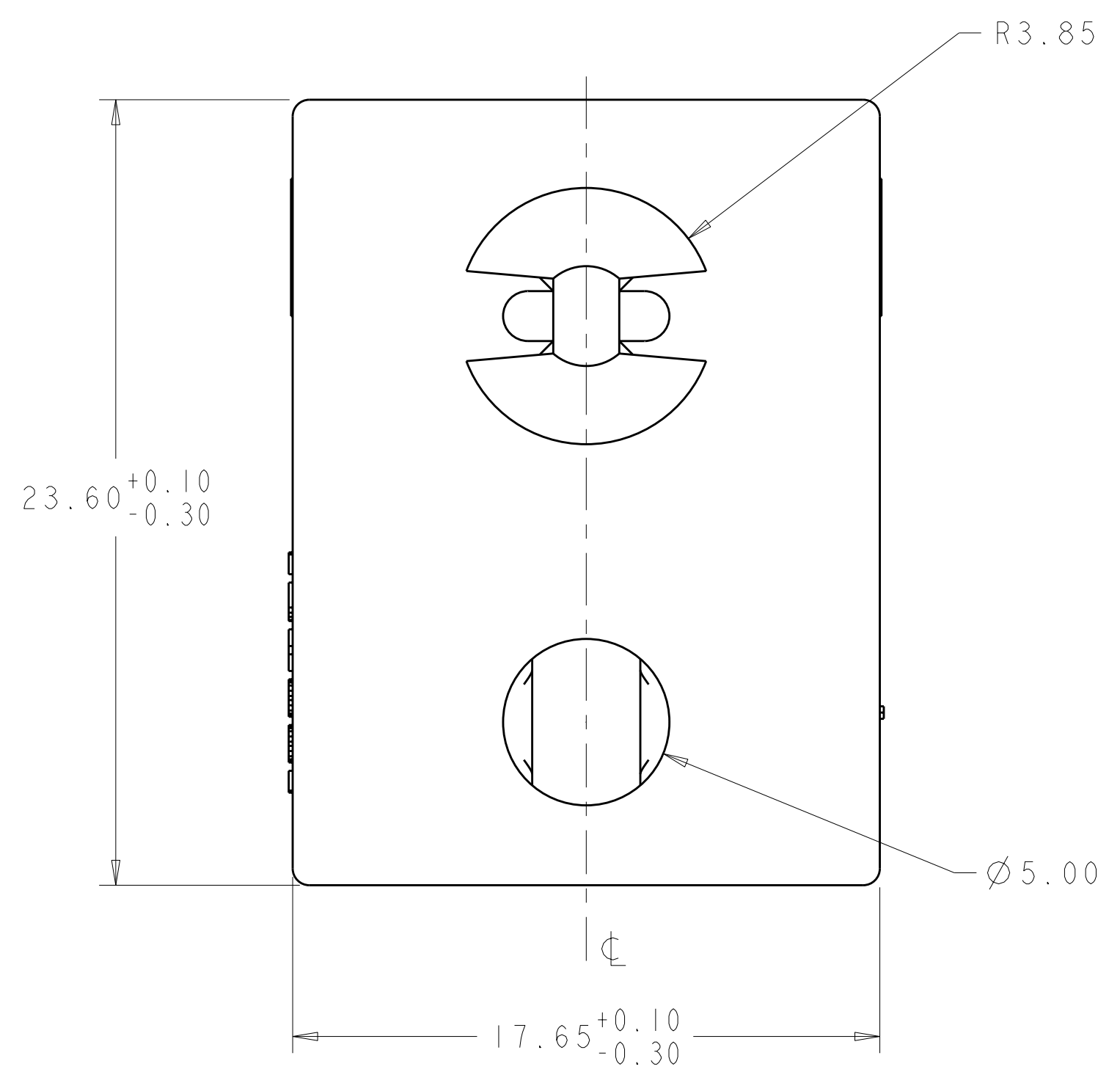
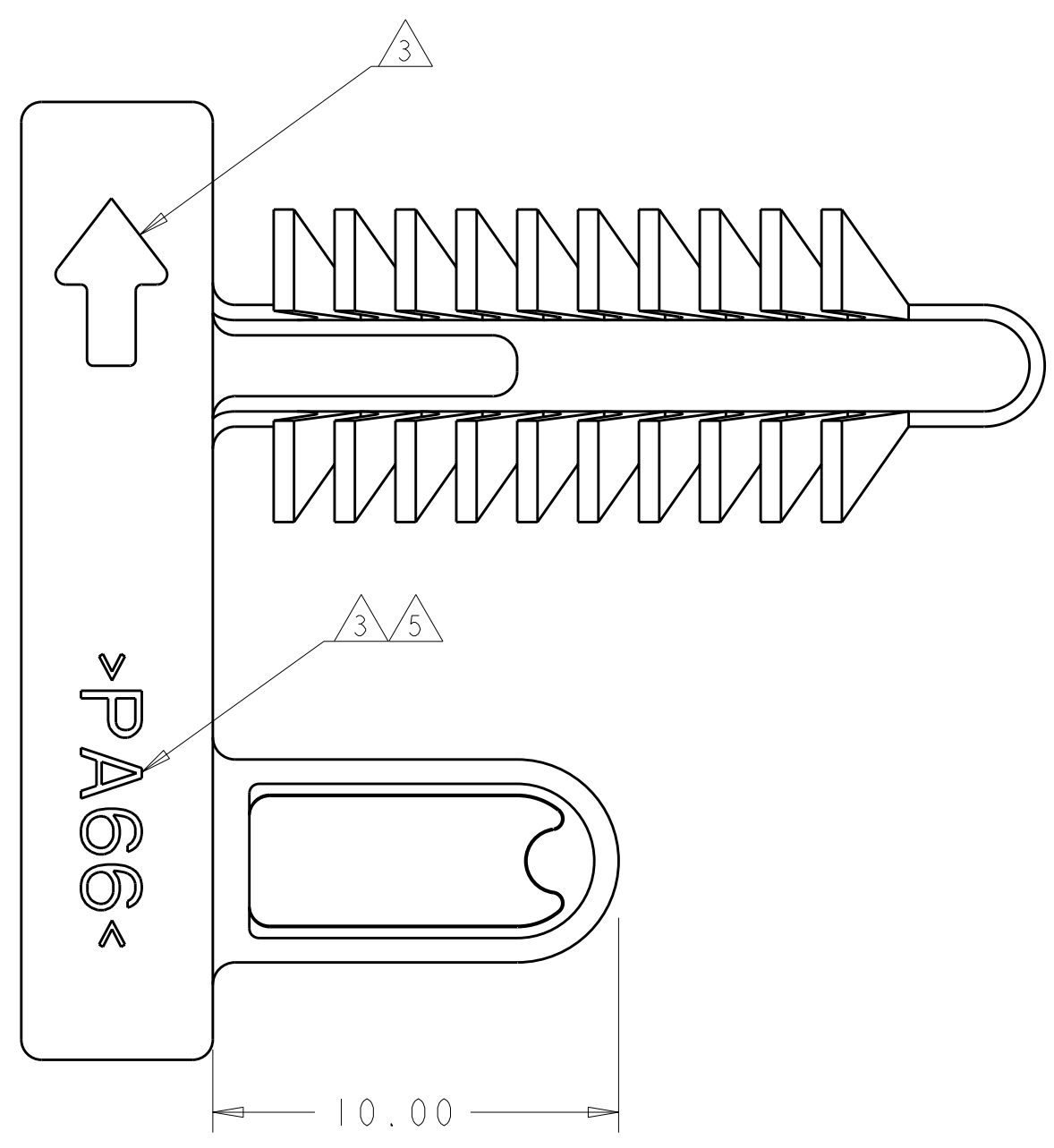
### RECOMMENDED MOUNTING PARAMETERS

CONNECTOR POSITION	THREAD HOLE (THREADED)	ANTI-ROTATION HOLE (THREADED OR UNTHREADED)	THREAD DEPTH (MINIMUM)
2	M8	M6 (5.0mm)	4mm
3	M8	M6 (5.0mm)	6mm
4	M8	M6 (5.0mm)	6mm
6	M8	M6 (5.0mm)	6mm
8	M8	M6 (5.0mm)	8mm
12	M8	M6 (5.0mm)	8mm

SHEET METAL MOUNTING: DRAWN HOLES RECOMMENDED WITH HOLE PARAMETERS FROM TABLE ABOVE.



- 1. MATERIAL: NYLON 6/6, COLOR: BLACK
- 2. MOUNTING PARAMETERS: SEE RECOMMENDED MOUNTING TABLE ON LEFT SIDE.
- 3. AREA TO BE FROSTED APPROXIMATELY WHERE SHOWN.
- 4. CAVITY ID, TO BE CLEAR AND LEDGIBLE. LOCATED APPROX. AS SHOWN.
- 5. MATERIAL ID >PA66<, TO BE CLEAR AND LEDGIBLE. LOCATED APPROX. AS SHOWN.
- 6. ANTI-ROTATIONAL POST DIMENSIONS ONLY APPLY TO 1924487-2.
- 7. DIMENSION APPLIES ACROSS THE ENTIRE DRAFTED SLOT LENGTH.



10	1924487-2
-	1924487-1
NOTES	PART NUMBER

DIMENSIONS: mm TOLERANCES UNLESS OTHERWISE SPECIFIED: 9 PLC ±0.5 1 PLC ±0.3 5 PLC ±0.3 4 PLC ±0.3 ANGLES ±0.5 FINISH -		DWN J. MARKEY 22FEB2008 CHK J. MARKEY 22FEB2008 APVD J. MARKEY 22FEB2008 PRODUCT SPEC APPLICATION SPEC WEIGHT - CUSTOMER DRAWING	Tyco Electronics Harrisburg, PA 17105-3608 NAME RETAINER CLIP, AMPSEAL 16 SIZE CAGE CODE DRAWING NO A100779C=1924487 RESTRICTED TO SCALE 6:1 SHEET 1 OF 1 REV C1
---------------------------------------------------------------------------------------------------------------------------------------------	--	----------------------------------------------------------------------------------------------------------------------------------------------------	---------------------------------------------------------------------------------------------------------------------------------------------------------------------------------------