



Chipsmall Limited consists of a professional team with an average of over 10 year of expertise in the distribution of electronic components. Based in Hongkong, we have already established firm and mutual-benefit business relationships with customers from,Europe,America and south Asia,supplying obsolete and hard-to-find components to meet their specific needs.

With the principle of “Quality Parts,Customers Priority,Honest Operation,and Considerate Service”,our business mainly focus on the distribution of electronic components. Line cards we deal with include Microchip,ALPS,ROHM,Xilinx,Pulse,ON,Everlight and Freescale. Main products comprise IC,Modules,Potentiometer,IC Socket,Relay,Connector.Our parts cover such applications as commercial,industrial, and automotives areas.

We are looking forward to setting up business relationship with you and hope to provide you with the best service and solution. Let us make a better world for our industry!



Contact us

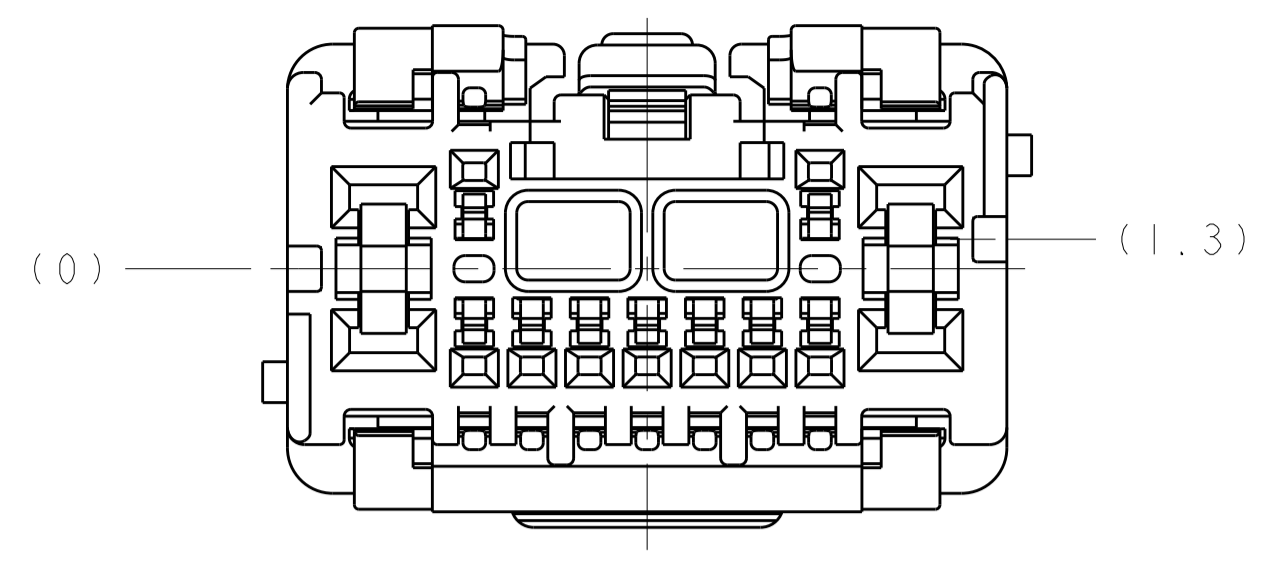
Tel: +86-755-8981 8866 Fax: +86-755-8427 6832

Email & Skype: info@chipsmall.com Web: www.chipsmall.com

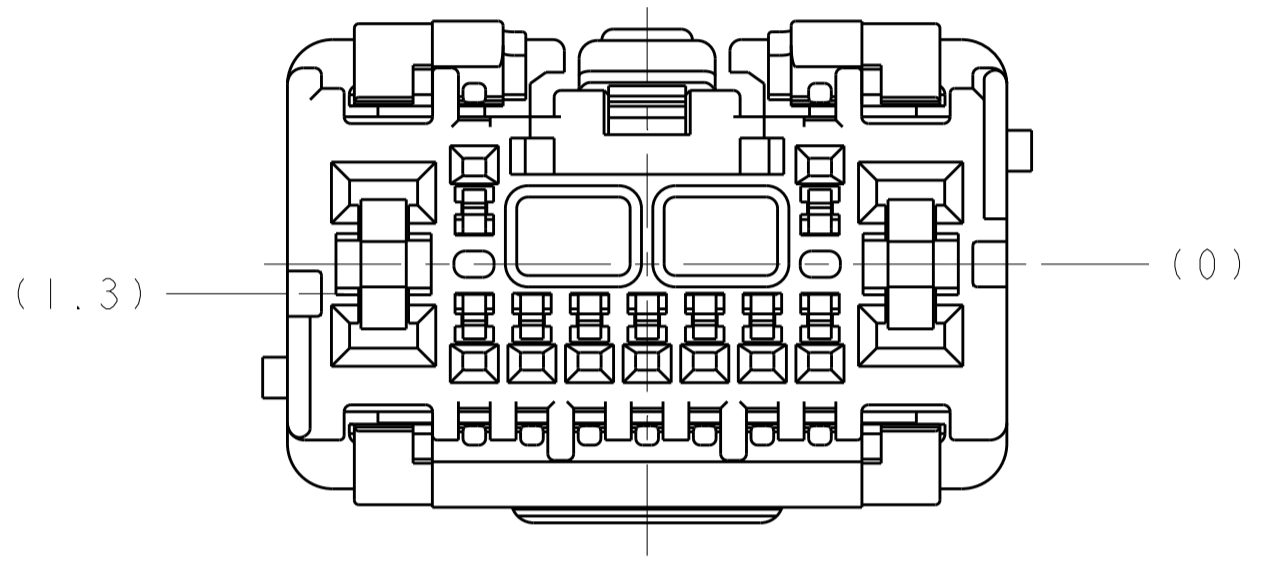
Address: A1208, Overseas Decoration Building, #122 Zhenhua RD., Futian, Shenzhen, China



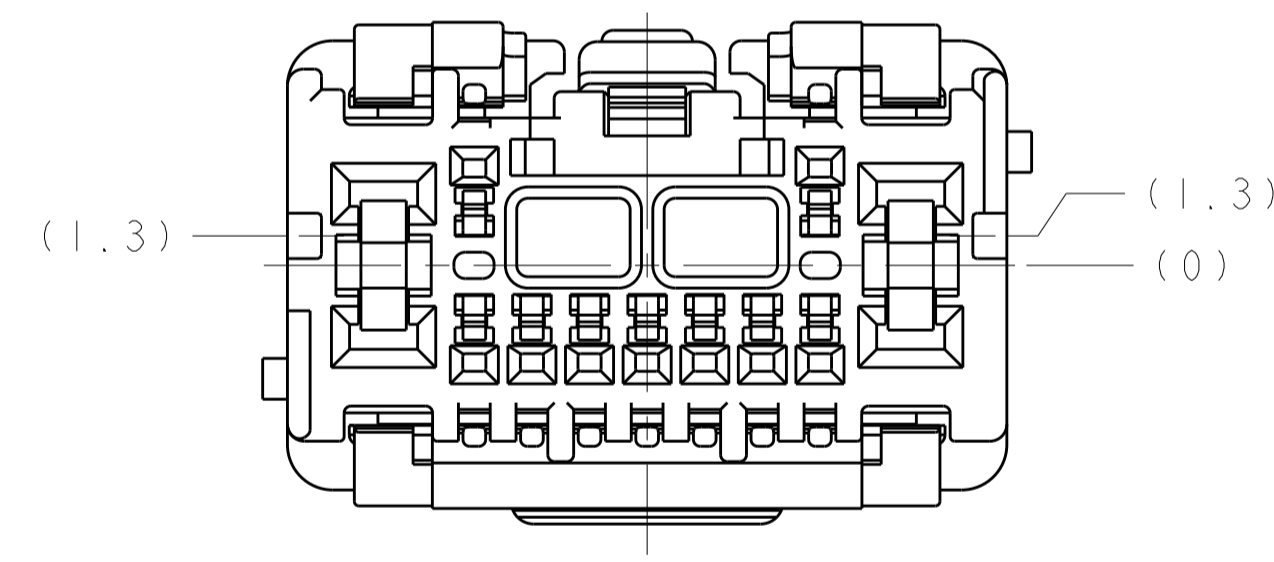
LOC		DIST		REVISIONS			
P	LTN	DESCRIPTION	DATE	DWN	APVD		
C		REVISED PER ECO-09-008312	02APR2009	AV	AV		
D		REVISED PER ECO-13-005462	02APR2013	DD	CS		



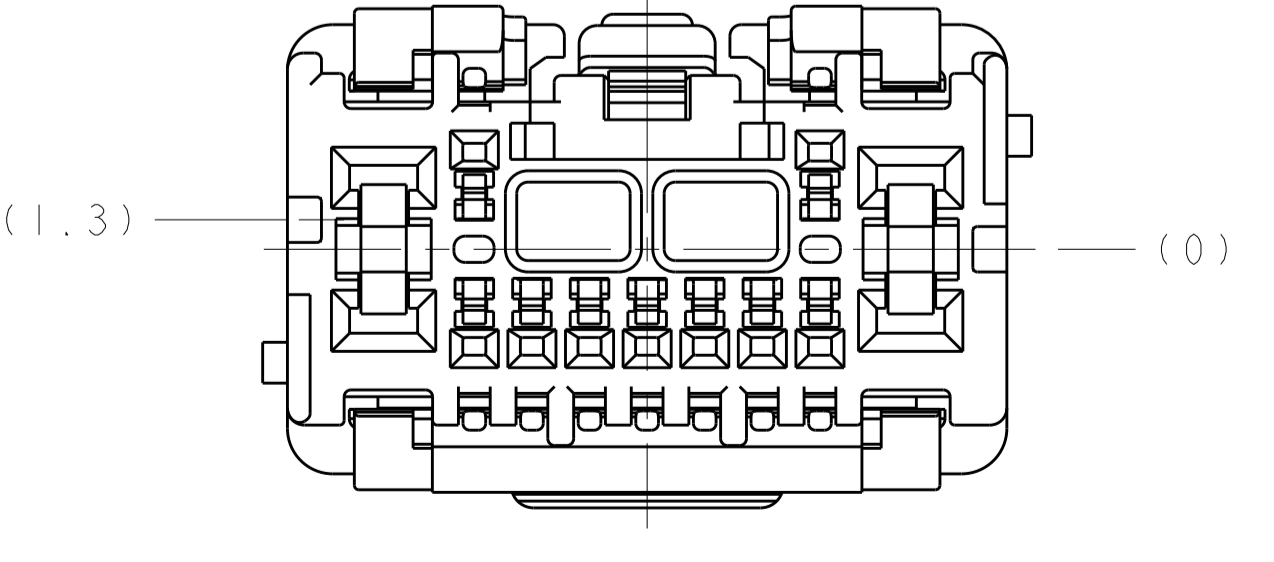
1924667-1
KEYING OPTION "A"



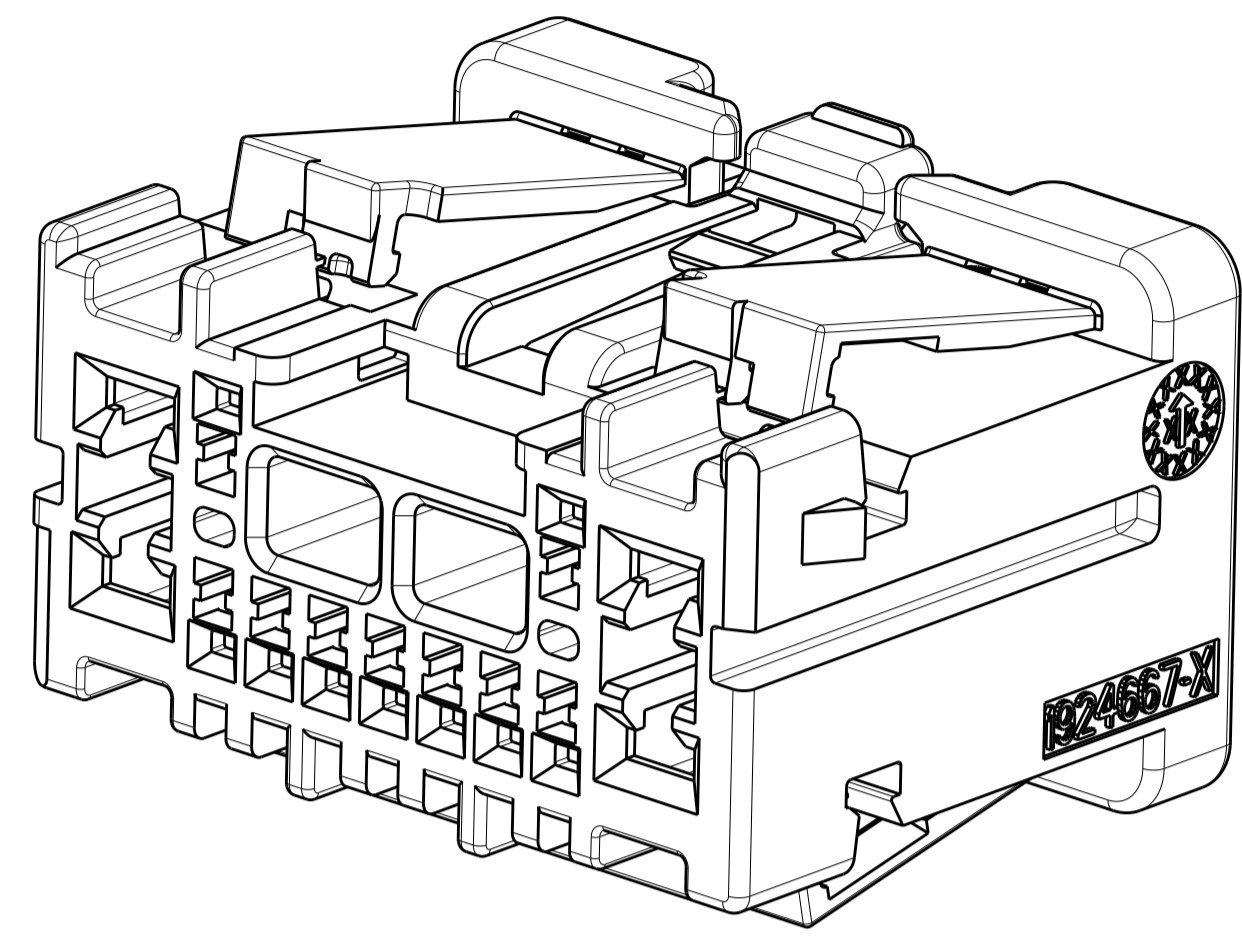
1924667-2
KEYING OPTION "B" ⚠



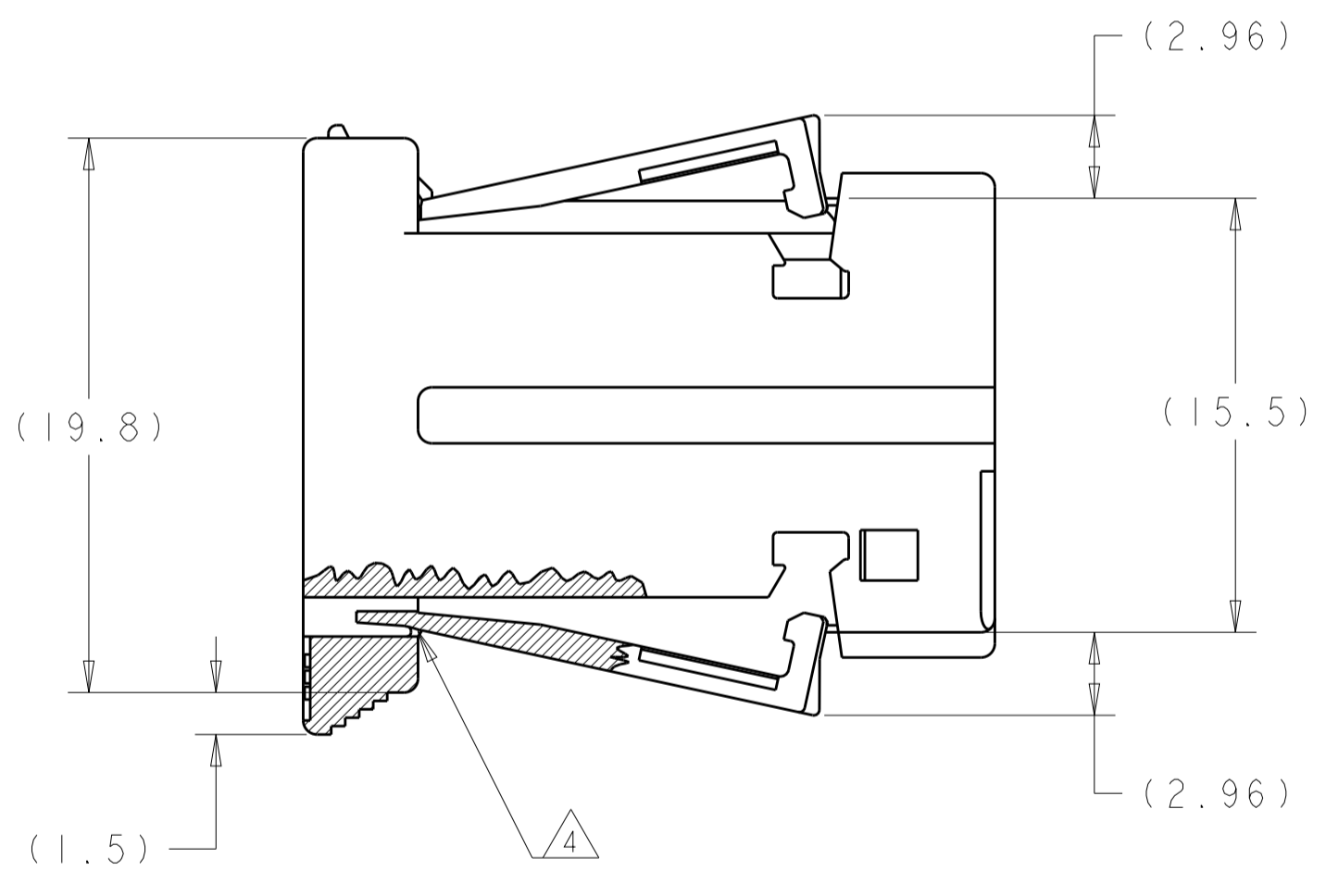
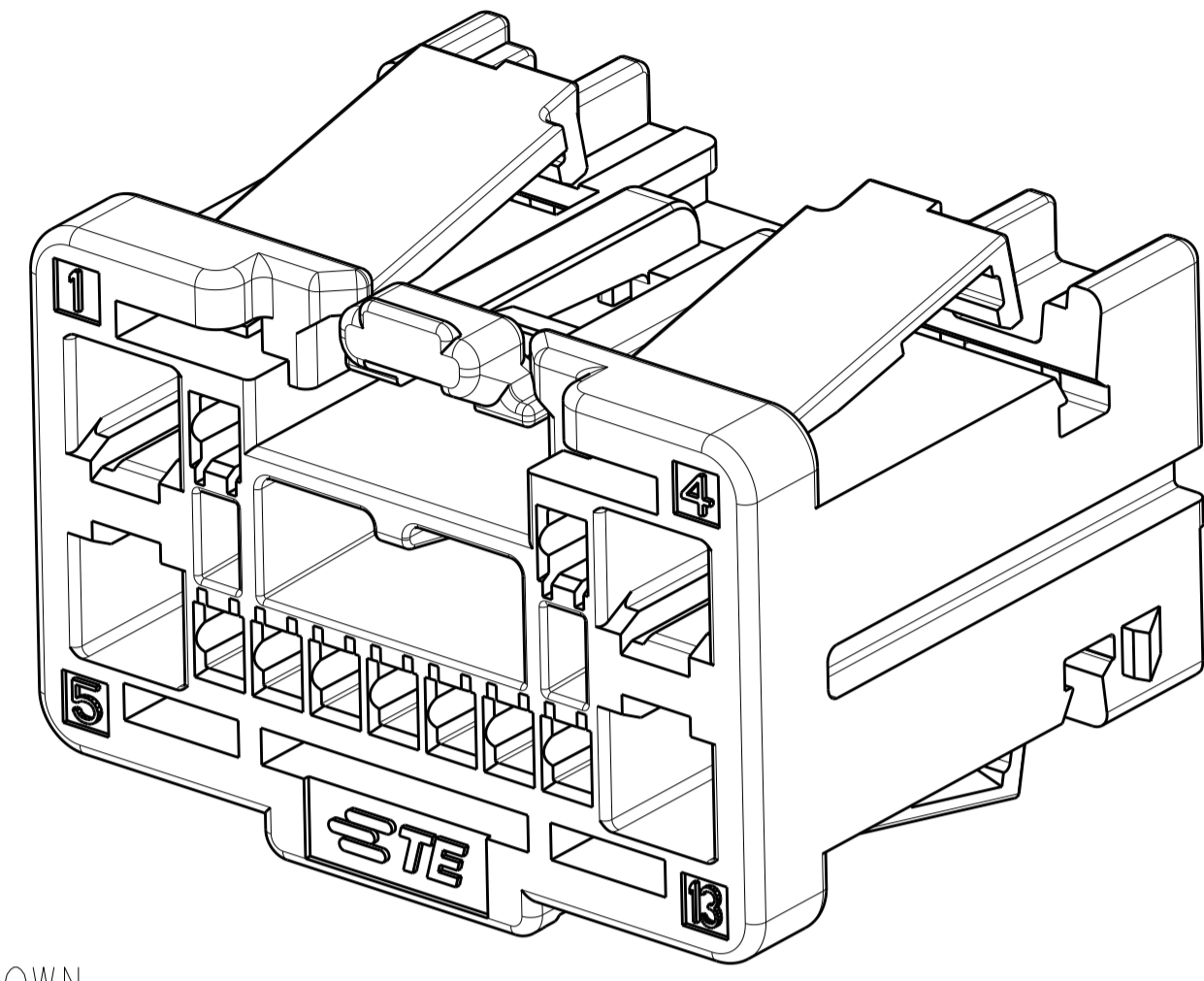
1924667-3
KEYING OPTION "C" ⚠



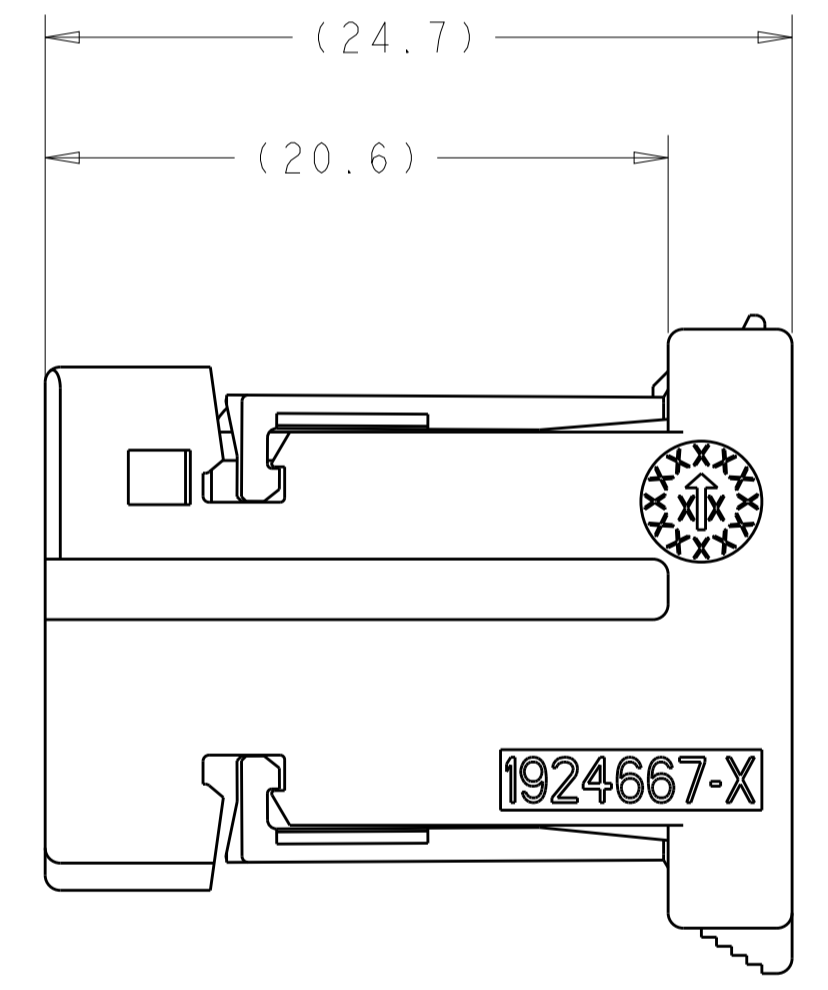
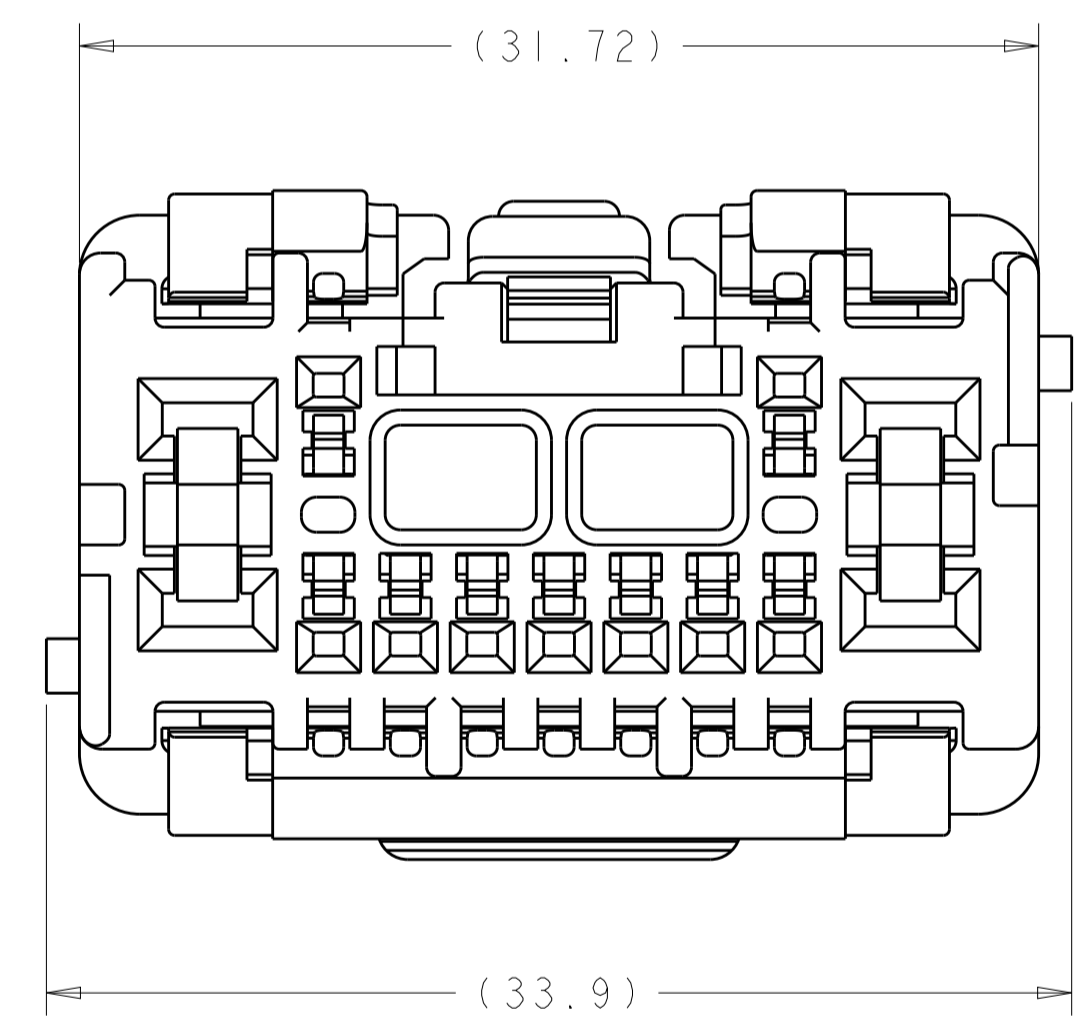
1924667-4
KEYING OPTION "D" ⚠



SECONDARY LOCKS SHOWN
IN OPEN POSITION
(SHIPPING POSITION)



SECTION E-E



SIDE VIEW WITH
SECONDARY LOCK CLOSED

NOTES:

- MATERIAL:
PLUG HOUSING: PBT 15% GLASS FILLED
COLOR: BLACK
- OPTIONAL CPA AVAILABLE.
- MATING RECEPTACLES:
1326030 TIN PLATING, 2.8 CONTACT
1924955 TIN PLATING, 0.64 CONTACT

⚠ WHEN SECONDARY LOCK IS TRANSITIONED FROM THE OPEN TO THE CLOSED POSITION THE PLASTIC ATTACHING THE SECONDARY LOCK IS ALLOWED/ASSUMED TO BREAK AWAY IN THE AREA SHOWN (TYPICAL).

⚠ PROPOSED DESIGN - NOT TOOLED.

D	1924667-4	⚠
C	1924667-3	⚠
B	1924667-2	⚠
A	1924667-1	
KEYING OPTION	TE PART NUMBER	

THIS DRAWING IS A CONTROLLED DOCUMENT.		DWN: M. HITCHCOCK 2 JUL 2007	TE Connectivity NAME: 13-WAY UNSEALED 1-PIECE (9X 0.64, 4X 2.8) SIZE: CAGE CODE DRAWING NO. RESTRICTED TO A100779 ©=1924667 SCALE: 4:1 SHEET 1 OF 1 REV D
DIMENSIONS:	TOLERANCES UNLESS OTHERWISE SPECIFIED:	CHK: A. VASBINDER 12 JUL 2007	
mm	0 PLC ±0.0 1 PLC ±0.3 2 PLC ±0.10 3 PLC ±0.0 4 PLC ±0.0 ANGLES ±0.0	APVD: A. VASBINDER 12 JUL 2007	
MATERIAL:	FINISH:	PRODUCT SPEC: APPLICATION SPEC: 408-10292 WEIGHT:	
Customer Drawing		Customer Drawing	