



Chipsmall Limited consists of a professional team with an average of over 10 year of expertise in the distribution of electronic components. Based in Hongkong, we have already established firm and mutual-benefit business relationships with customers from,Europe,America and south Asia,supplying obsolete and hard-to-find components to meet their specific needs.

With the principle of “Quality Parts,Customers Priority,Honest Operation,and Considerate Service”,our business mainly focus on the distribution of electronic components. Line cards we deal with include Microchip,ALPS,ROHM,Xilinx,Pulse,ON,Everlight and Freescale. Main products comprise IC,Modules,Potentiometer,IC Socket,Relay,Connector.Our parts cover such applications as commercial,industrial, and automotives areas.

We are looking forward to setting up business relationship with you and hope to provide you with the best service and solution. Let us make a better world for our industry!



Contact us

Tel: +86-755-8981 8866 Fax: +86-755-8427 6832

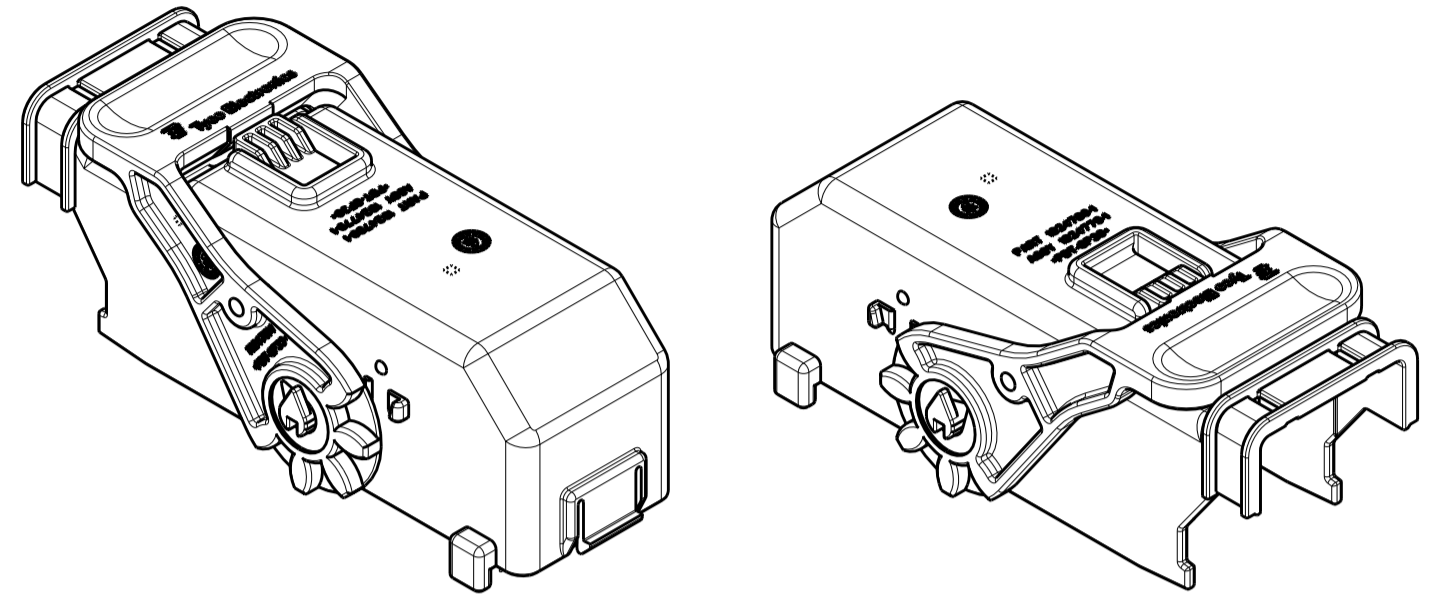
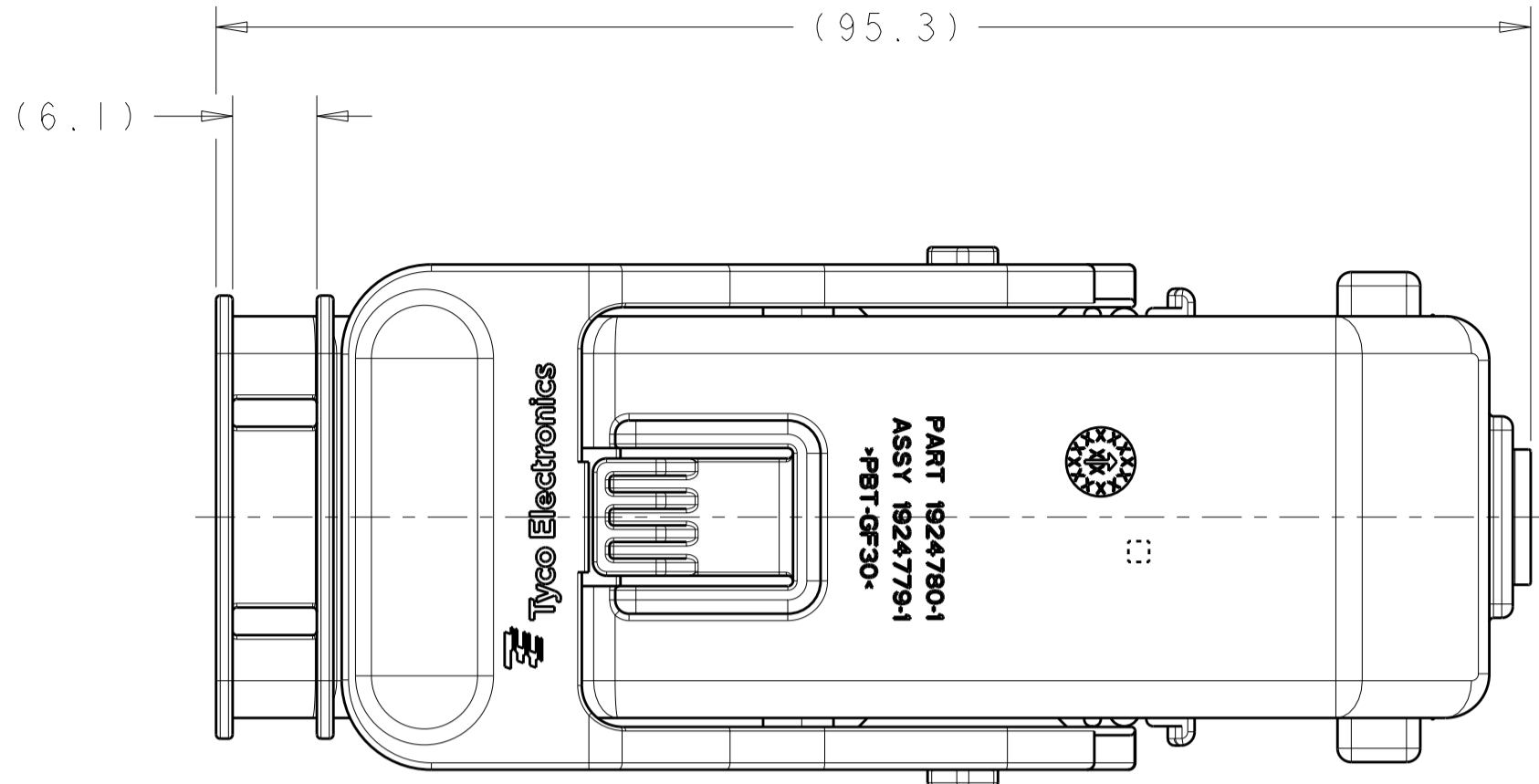
Email & Skype: info@chipsmall.com Web: www.chipsmall.com

Address: A1208, Overseas Decoration Building, #122 Zhenhua RD., Futian, Shenzhen, China

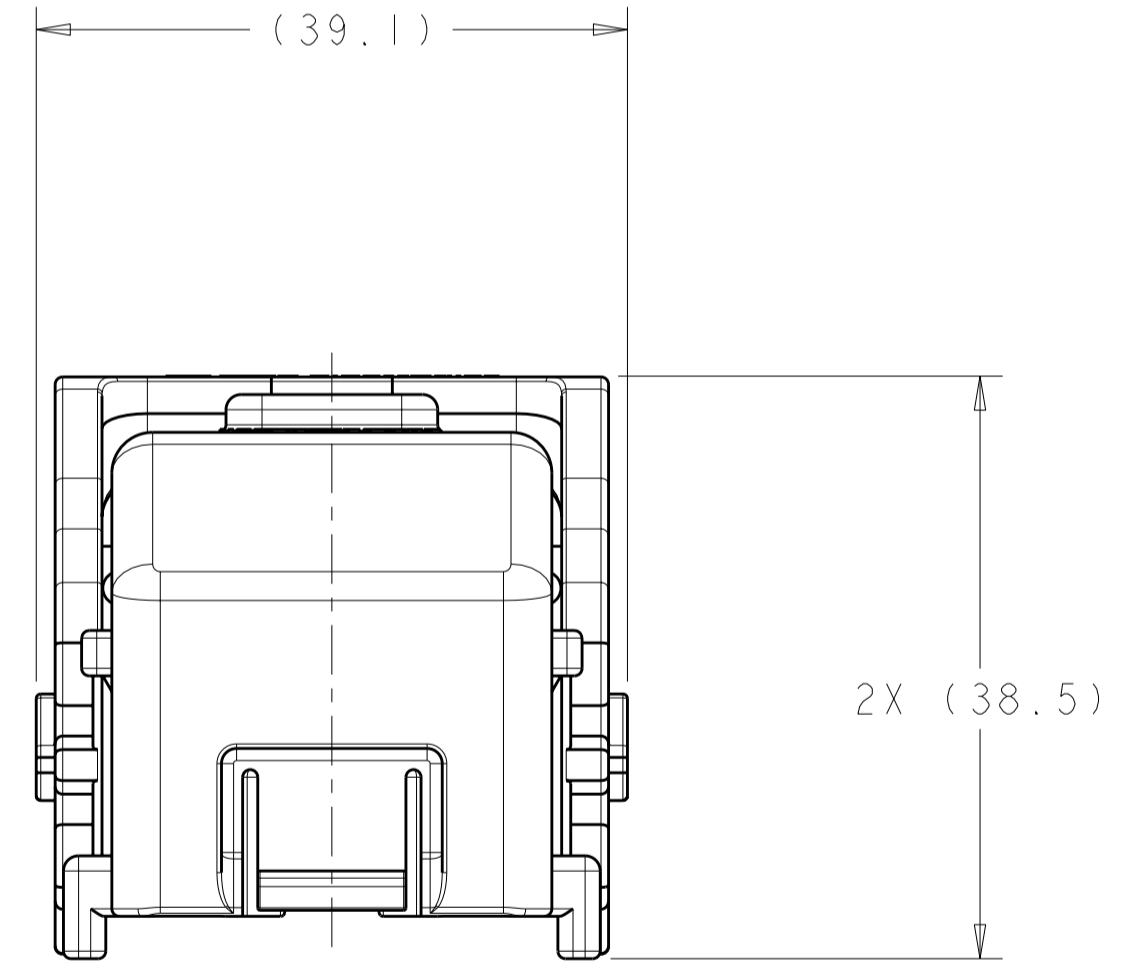
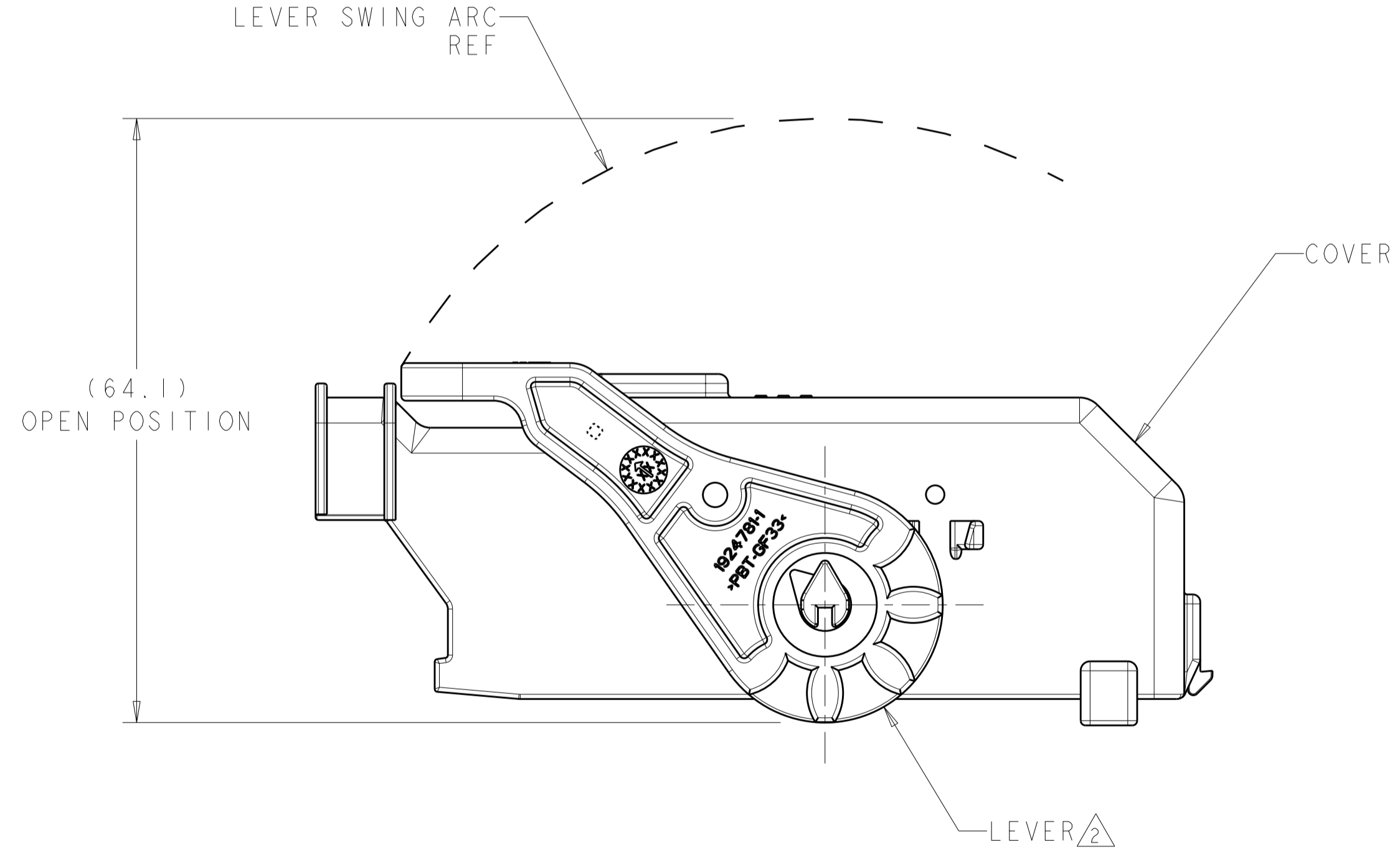


THIS DRAWING IS UNPUBLISHED. RELEASED FOR PUBLICATION 20
 © COPYRIGHT 20 BY TYCO ELECTRONICS CORPORATION. ALL RIGHTS RESERVED.

LOC	DIST	REVISIONS			
P	LTR	DESCRIPTION	DATE	DWN	APVD
	IN	00			
A		REV PER ECO-09-003943	18FEB2009	MBH	AJV
B		REV PER ECO-09-007167	24MAR2009	AJV	AJV



ISOMETRIC VIEWS
SCALE 1:1



1924779-1
PART NUMBER

- 1 COVER: POLYESTER PBT, BLACK.
LEVER: POLYESTER PBT, RED.
- 2 LEVER SHOWN IN CLOSED POSITION,
WIRE DRESS ASSEMBLY TO BE SHIPPED IN THIS POSITION.
- 3. NOTE DELETED.

<small>THIS DRAWING IS A CONTROLLED DOCUMENT FOR TYCO ELECTRONICS CORPORATION. IT IS SUBJECT TO CHANGE AND THE CONTROLLING ENGINEERING ORGANIZATION SHOULD BE CONTACTED FOR THE LATEST REVISION.</small>		DWN D. J. HARDY 03DEC2007 CHK A. J. VASBINDER 03DEC2007 APVD A. J. VASBINDER 03DEC2007	Tyco Electronics Harrisburg, PA 17105-3608
DIMENSIONS: mm	TOLERANCES UNLESS OTHERWISE SPECIFIED: 0 PLC ± 1 PLC ± 2 PLC ± 3 PLC ± 4 PLC ± ANGLES ± FINISH	PRODUCT SPEC APPLICATION SPEC WEIGHT	NAME WIRE DRESS ASSEMBLY, 96 POSITION, GPEC 11
MATERIAL		CUSTOMER DRAWING	SIZE CAGE CODE DRAWING NO RESTRICTED TO A200779 C-1924779 -
		SCALE 2:1	SHEET 1 OF 1 REV B